



INSTRUCTIONS FOR

VARIABLE SPEED SCROLL SAW

406MM THROAT 230V

MODEL NO: **SM1302.V2**

Thank you for purchasing a Sealey product. Manufactured to a high standard, this product will, if used according to these instructions, and properly maintained, give you years of trouble free performance.

IMPORTANT: PLEASE READ THESE INSTRUCTIONS CAREFULLY. NOTE THE SAFE OPERATIONAL REQUIREMENTS, WARNINGS & CAUTIONS. USE THE PRODUCT CORRECTLY AND WITH CARE FOR THE PURPOSE FOR WHICH IT IS INTENDED. FAILURE TO DO SO MAY CAUSE DAMAGE AND/OR PERSONAL INJURY AND WILL INVALIDATE THE WARRANTY. KEEP THESE INSTRUCTIONS SAFE FOR FUTURE USE.



Refer to instructions



Wear eye protection



Wear ear protection



Wear face mask

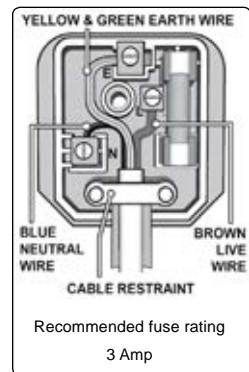


Wear protective gloves

1. SAFETY

1.1. Electrical Safety

- WARNING!** It is the user's responsibility to check the following:
Check all electrical equipment and appliances to ensure that they are safe before using. Inspect power supply leads, plugs and all electrical connections for wear and damage. Sealey recommend that an RCD (Residual Current Device) is used with all electrical products. You may obtain an RCD by contacting your local Sealey stockist.
If used in the course of business duties, it must be maintained in a safe condition and routinely PAT (Portable Appliance Test) tested.
Electrical safety information, it is important that the following information is read and understood.
- ✓ Ensure that the insulation on all cables and on the appliance is safe before connecting it to the power supply.
- ✓ Regularly inspect power supply cables and plugs for wear or damage and check all connections to ensure that they are secure.
- ✓ Ensure that the voltage rating on the appliance suits the power supply to be used and that the plug is fitted with the correct fuse - see fuse rating in these instructions.
- ✗ **DO NOT** pull or carry the appliance by the power cable.
- ✗ **DO NOT** pull the plug from the socket by the cable.
- ✗ **DO NOT** use worn or damaged cables, plugs or connectors. Ensure that any faulty item is repaired or replaced immediately by a qualified electrician.
- ✓ This product is fitted with a BS1363/A 13 Amp 3 pin plug.
If the cable or plug is damaged during use, switch the electricity supply off and remove from use.
Ensure that repairs are carried out by a qualified electrician.
Replace a damaged plug with a BS1363/A 13 Amp 3 pin plug. If in doubt contact a qualified electrician.
 - a) Connect the GREEN/YELLOW earth wire to the earth terminal 'E'.
 - b) Connect the BROWN live wire to the live terminal 'L'.
 - c) Connect the BLUE neutral wire to the neutral terminal 'N'.Ensure that the cable outer sheath extends inside the cable restraint and that the restraint is tight.
Sealey recommend that repairs are carried out by a qualified electrician.



1.2. General Safety

- WARNING!** Ensure that Health & Safety, local authority and general workshop practice regulations are adhered to when using this equipment.
- ✓ Familiarise yourself with the application, limitations and hazards of the saw.
- WARNING!** Disconnect the saw from the mains power and ensure that the cutting blade is at a complete standstill before attempting to change blades or perform any maintenance.
- ✓ Maintain the saw in good condition (use an authorised service agent).
- ✓ Replace or repair damaged parts. Use genuine parts only. Unauthorised parts may be dangerous and will invalidate the warranty.
- WARNING!** Keep all guards and holding screws in place, tight and in good working order. Check regularly for damaged parts. A guard or any other part that is damaged should be repaired or replaced before the machine is used. The safety guard is a mandatory fitting where the saw is used on premises covered by the Health & Safety at Work Act.
- ✓ Locate saw in a suitable work area and keep area clean and tidy and free from unrelated materials. Ensure that there is adequate lighting.
- ✓ Keep the saw clean and blades sharp for best and safest performance.
- ✓ Ensure that there are no flammable or combustible materials in or near the work area.
- WARNING!** Always wear approved eye or face protection when operating the saw. Use a face or dust mask if dust is generated.
- ✓ Maintain correct balance and footing. Ensure the floor is not slippery and wear non-slip shoes.
- ✓ Remove ill fitting clothing. Remove ties, watches, rings and other loose jewellery and contain and/or tie back long hair.
- ✓ Keep children and unauthorised persons away from the work area.
- ✓ Check moving parts alignment on a regular basis.
- ✓ Remove adjusting keys and wrenches from the machine and its vicinity before turning it on.
- ✓ Avoid unintentional starting.
- ✗ **DO NOT** use the saw for any purpose other than that for which it is designed.
- ✗ **DO NOT** operate the saw if any parts are damaged or missing as this may cause failure and/or personal injury.

- ❑ **WARNING! DO NOT** cut any materials containing asbestos.
 - ✗ **DO NOT** switch on the saw whilst the blade is in contact with the work piece.
 - ✗ **DO NOT** attempt to cut a work piece so small that you have to remove the finger guard.
 - ✓ Always provide additional support, at table height, for large work pieces.
 - ✗ **DO NOT** use the saw outdoors.
 - ✗ **DO NOT** get the saw wet or use in damp or wet locations or areas where there is condensation.
 - ✗ **DO NOT** allow untrained persons to operate the saw.
 - ✗ **DO NOT** allow children to operate the saw.
 - ✗ **DO NOT** operate the saw when you are tired or under the influence of alcohol, drugs or intoxicating medication.
 - ✗ **DO NOT** leave the saw operating unattended.
 - ✗ **DO NOT** pull the cable from the power supply.
 - ✓ Use a qualified person to lubricate and maintain the saw.
 - ✓ When not in use, switch the saw off, disconnect from the power supply and store in a childproof area.
- NOTE:** This appliance is not intended for use by persons (including children) with reduced physical, sensory or mental capabilities or lack of experience and knowledge, unless they have been given supervision or instruction concerning the use of the appliance by a person responsible for their safety. Children should be supervised to ensure that they do not play with the appliance.

2. INTRODUCTION

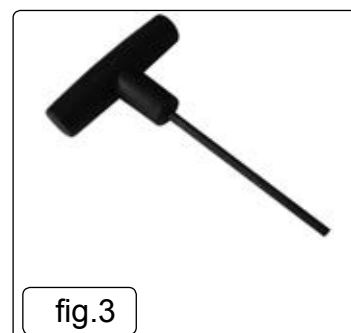
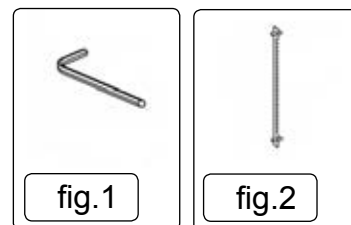
Quality cast rounded table, suitable for precise and intricate cuts. Features parallel arm design and quick blade changing system. Variable speed operation to cut multiple types of material. Fitted with adjustable safety guard and flexible dust blower to keep a dust-free work area. Supplied with a pinned blade.

3. SPECIFICATION

Model No.	SM1302
Throat Depth	406mm
Maximum Cut Depth	50mm
Stroke	15mm
Blade Speed	400-1600spm
Table Size	410x255mm
Table Tilt	0-45°
Motor Power	120W
Supply	230V

4. WOODWORKING TERMS

- 4.1. Bevel Cut: A cutting operation made with the saw table at any angle other than 90° to the blade.
- 4.2. Compound Mitre Cut: A compound mitre cut is a mitre cut with a bevel.
- 4.3. Crosscut: Cut made across the grain or width of the work piece.
- 4.4. Freehand: (for scroll saw): Performing a cut without the work piece being guided by a fence or mitre gauge. The work piece must be supported by the table.
- 4.5. Gum: A sticky, sap based residue of wood products.
- 4.6. Kerf: The material removed by the blade in a through cut or the slot produced by the blade in a non-through or partial cut.
- 4.7. KickBack: Projection of the work piece. Sudden recoil of the work piece usually due to the work piece not being against the fence, hitting the blade or being accidentally pushed against the blade instead of a kerf being sawn in the work piece.
- 4.8. Leading End: The end of the work piece pushed into the cutting tool first.
- 4.9. Push Stick: A device which is used to feed the work piece through the saw blade during narrow ripping operations and which helps keep the operator's hands well away from the blade.
- 4.10. Resaw: A cutting operation to reduce the thickness of the work piece to make thinner pieces.
- 4.11. Ripping: A cutting operation along the length of the work piece.
- 4.12. Saw Blade Path: The area directly in line with the blade (over, under, behind, or in front of it). As it applies to the work piece, the area which will be, or has been, cut by the blade.
- 4.13. Set: Operation which consists in setting the tip of the saw blade teeth to the right or left to improve clearance and make it easier for the body of the blade to penetrate the material.
- 4.14. SPM: Strokes per minute. Used in reference to blade movement.
- 4.15. Through cut: Any cutting operation where the blade cuts through the entire thickness of the work piece.
- 4.16. Work piece: The item which is being cut. The surfaces of a work piece are commonly referred to as faces, ends, and edges.
- 4.17. Worktable: The surface on which the work piece rests during a cutting or sanding operation.



5. CONTENTS & ASSEMBLY

- ❑ **WARNING! DO NOT** attempt to lift saw by holding the upper blade arm as this will cause damage. Lift by the base only.
 - ❑ **WARNING! DO NOT** plug saw into mains until assembly is complete and saw has been firmly mounted to work surface.
- 5.1. Contents-
- 4mm Hex Key fig.1
 - Saw Blade fig.2
 - Hex wrench fig.3

5.2. **Main Parts Description**

Before attempting to use your saw, familiarise yourself with all the operating features and safety requirements of your scroll saw. fig.4.

- 5.2.1. **Sawdust Blower:** Keeps the line of cut on the work piece clean for more accurate scroll cuts. For best results, always direct the airflow at the blade and the work piece.
- 5.2.2. **Saw Table with Throat Plate:** Your scroll saw has a saw table with tilt control for maximum accuracy. The throat plate, inserted in the saw table, allows for blade clearance.
- 5.2.3. **Switch:** Your scroll saw has an easy access power switch. 0 = OFF I=ON
- 5.2.4. **Table Lock:** Allows you to tilt the table and lock it at the desired angle (up to 45°).
- 5.2.5. **Bevel Scale:** The bevel scale shows you the degree at which the saw table is tilted.
- 5.2.6. **Drop Foot:** This foot should always be lowered until it just rests on top of the work piece to prevent it from lifting, yet not so much as to make the work piece drag.
- 5.2.7. **Blade Clamp Screws:** Blade clamp screws are used to tighten and loosen the blade clamps when changing saw blades.
- 5.2.8. **Drop Foot Lock:** This allows you to raise or to lower the drop foot and lock it in the required position.
- 5.2.9. **Blade Tensioner & Adjuster:** To loosen or tighten blade tension, flip the lever over centre and turn the blade tension wheel.
- 5.2.10. **Speed Selector:** Turn to adjust the speed from 400 to 1,600 strokes per minute.
- 5.2.11. **Sawdust Outlet:** This feature will allow you to attach any 1¼ in. (32 mm) vacuum hose for easy sawdust collection.

Fig.4:-

- A. SAWDUST BLOWER
- B. SAW BLADE
- C. THROAT PLATE
- D. SWITCH
- E. TABLE LOCK
- F. BEVEL SCALE
- G. DROP FOOT
- H. BLADE CLAMP SCREWS
- I. DROP FOOT LOCK
- J. BLADE TENSION LEVER
- K. MOTOR
- L. SPEED SELECTOR
- M. SAWDUST OUTLET
- N. SAW TABLE
- O. SAFETY GUARD

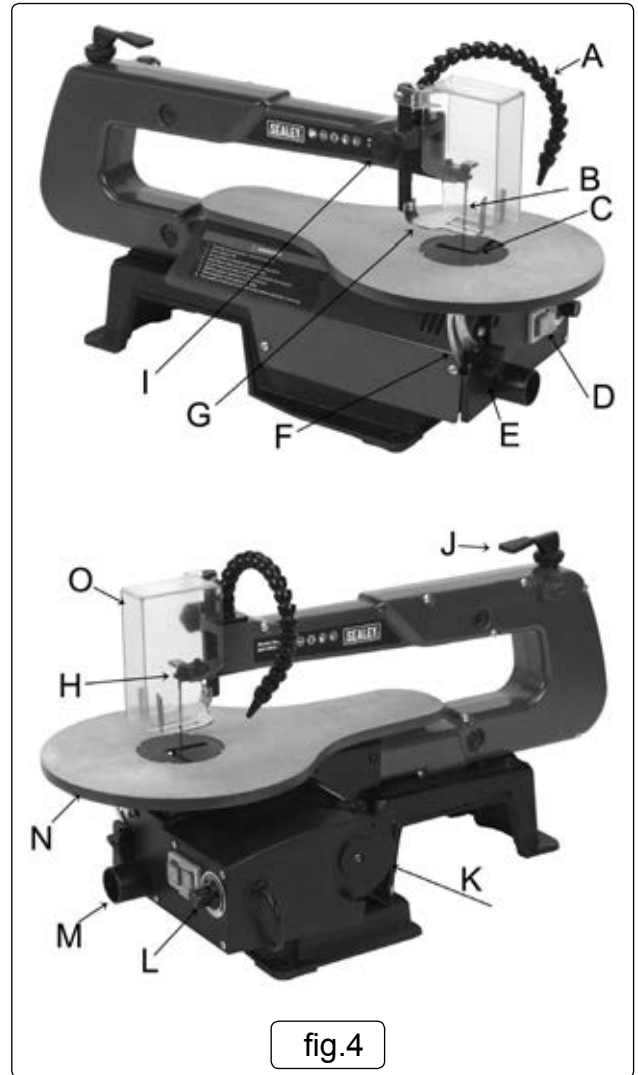


fig.4

5.3. **Bolting the Scroll Saw onto a Workbench.**

□ **WARNING!** To avoid serious personal injury from unexpected tool movement, securely mount the scroll saw onto a workbench. If the scroll saw is to be used in a specific location, we recommend that you secure it to a workbench in a permanent way. For this purpose, holes should be drilled through the supporting surface of the workbench.

- 5.3.1. Each hole in the base of the saw should be bolted securely using machine bolts, washers, and nuts (not included).
- 5.3.2. Bolts should be long enough to accommodate the saw base, washers, nuts, and the thickness of the workbench. 5 of each required.
- 4.3.3. Place the scroll saw on the workbench. Using the saw base as a pattern, locate and mark the holes where the scroll saw is to be mounted.
- 5.3.3. Drill four holes through the workbench.
- 5.3.4. Place the scroll saw on the workbench aligning the holes in the saw base with the holes drilled in the workbench.
- 5.3.5. Insert all four bolts (not included) and tighten securely with washers and nuts (not included).

Note: All bolts should be inserted from the top. Fit the washers and nuts from the underside of the bench.

The supporting surface where the scroll saw is mounted should be examined carefully after mounting to insure that no movement will occur while cutting.

Fig.5:-

- A. G-CLAMP
- B. SAW BASE
- C. G-CLAMP
- D. WORKBENCH
- E. MOUNTING BOARD

5.4. **Clamping the Scroll Saw to the Workbench. See Fig.5**

If the scroll saw is to be used in several different places, it is recommended that you fasten it permanently to a mounting board that can easily be clamped to a workbench or other supporting surface.

The mounting board should be large enough to prevent the saw from tipping while in use. Any good grade plywood or chipboard with a 3/4in. (19mm) thickness is recommended.

- 5.4.1. Mount the saw onto the board using the holes in the saw base as a template for the hole pattern. Locate and mark the holes on the board.
- 5.4.2. Follow the last three steps in the previous section called Mounting the Scroll Saw onto a Workbench.
- 5.4.3. Make sure they are long enough to go through the holes in the saw base, the board on which the saw is mounted, and the washers and nuts.

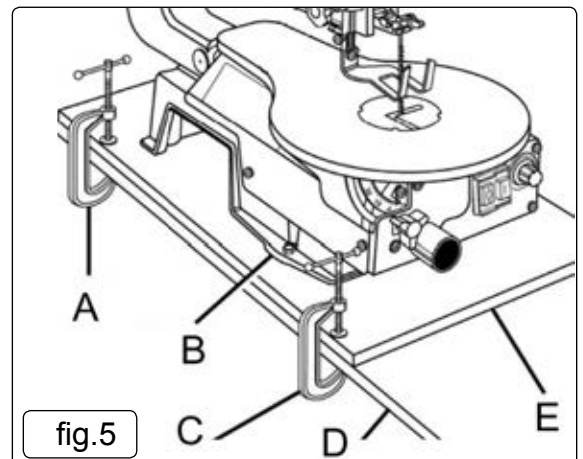


fig.5

Note: It will be necessary to countersink the washers and nuts on the bottom side of mounting board.

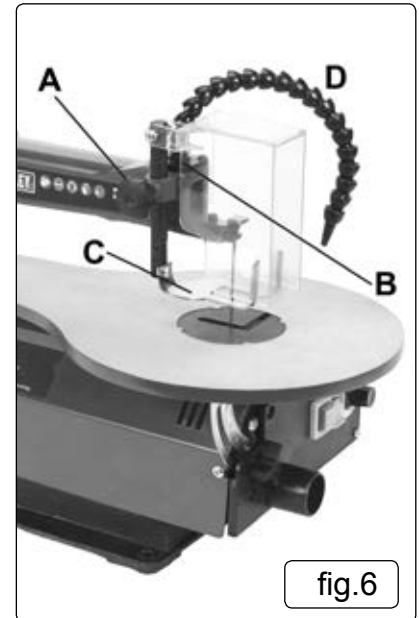
5.5. Adjustments

WARNING! To prevent accidental starting that could cause serious injury, turn off the saw and unplug it from the power source before making any adjustments.

- 5.5.1. To prevent the work piece from lifting, the drop foot should be adjusted so it just rests on top of the work piece. The drop foot should not be adjusted so tightly that the work piece drags. (See Fig.6)
- 5.5.2. Always tighten the drop foot lock after each adjustment has been made.
- 5.5.3. Loosen the drop foot lock.
- 5.5.4. Lower or raise the drop foot to the desired position.
- 5.5.5. Tighten the drop foot lock.
- 5.5.6. The two prongs at the front of the drop foot act as a blade guard to prevent the user from accidentally touching the blade.

Fig.6:-

- A. DROP FOOT LOCK
- B. AIR PUMP CONNECTION
- C. DROP FOOT
- D. ARTICULATED SAWDUST BLOWER HOSE



5.6. Sawdust Blower. fig.6

- WARNING!** To avoid accidental starting which could result in serious injury, turn the saw off, and unplug from the power source.

- 5.6.1. The sawdust blower is designed and pre-set to direct air to the most effective point on the cutting line.
- 5.6.2. Screw the articulated hose into the threaded port .
- 5.6.3. Make sure the drop foot is properly adjusted to secure the work piece and direct air at the cutting surface.

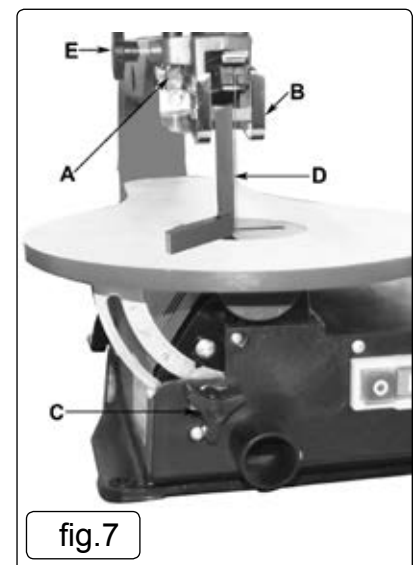
5.7. Squaring the Saw Table to the Blade. fig.7

- WARNING!** To avoid accidental starting which could result in serious injury, turn the saw off and unplug from the power source.

- 5.7.1. Loosen the drop foot lock and move the drop foot rod all the way up.
 - 5.7.2. Tighten the drop foot lock.
 - 5.7.3. Loosen the table lock and tilt the saw table until it is approximately at right angles to the blade.
 - 5.7.4. Place a small square on the saw table next to blade and lock the table at 90° to block.
 - 5.7.5. Loosen the screw holding the scale indicator. fig.8. Move the indicator to the 0° mark and securely tighten the screw.
- Remember, the bevel scale is a convenient guide but should not be relied upon for precision. Make practice cuts on scrap material to determine if your angle settings are correct. Adjust the drop foot to the desired position and securely tighten the drop foot lock.

Fig.7:-

- A. DROP FOOT ROD
- B. DROP FOOT
- C. TABLE LOCK
- D. SMALL SQUARE
- E. DROP FOOT LOCK



5.8. Setting the Table for Horizontal or Bevel Cutting. fig.8

- WARNING!** To avoid accidental starting which could result in serious injury, turn the saw off and unplug from the power source.

- 5.8.1. A bevel scale is located under the saw table as a convenient guide for setting the approximate saw table angle for bevel cutting. When greater precision is required, make practice cuts on scrap material and adjust the saw table as necessary for your requirements.

Note: When cutting bevels, the drop foot should be tilted so it is parallel to the saw table and rests flat on the work piece. To tilt the drop foot, loosen the screw, tilt the drop foot to the proper angle, then tighten the screw.

- WARNING!** To avoid accidental starting which could result in serious injury, turn the saw off, and unplug from the power source.

Fig.8:-

- A. BEVEL SCALE
- B. SCREW
- C. TABLE LOCK
- D. SCALE INDICATOR

5.9. Adjusting the Drop Foot

- 5.9.1. Loosen the drop foot lock. fig.4.
- 5.9.2. Position the drop foot so the saw blade is in its centre.
- 5.9.3. Tighten the drop foot lock.

5.10. Adjusting Blade Tension. fig.9

- ❑ **WARNING!** To avoid accidental starting which could result in serious injury, turn the saw off, and unplug from the power source.

- 5.10.1. To release initial tension, flip the blade tension lever over.
- 5.10.2. Turning the blade tension wheel anticlockwise decreases (or loosens) blade tension.
- 5.10.3. Turning the blade tension wheel clockwise increases (or tightens) blade tension.

Note: You can adjust blade tension at any time. Check tension by the sound the blade makes when plucked like a guitar string.

- 5.10.4. Pluck the back straight edge of the blade while turning the tension adjusting.
The sound should be a musical note. The sound becomes less flat as tension increases.
The sound level decreases with too much tension.

- 5.10.5. Flip the tension lever back over centre to re-tension the blade.
Note: Be careful not to adjust the blade too tight. Too much tension may cause the blade to break as soon as you start cutting. Too little tension may cause the blade to bend or break before the teeth wear out.
Fig.9:-

- A. TENSION LEVER
- B. BLADE TENSION ADJUSTMENT WHEEL

5.11. Fitting Blades

Scroll saw blades wear out quickly and must be replaced frequently for optimum cutting results. Expect to break some blades while you learn to use and adjust your saw. Blades usually become dull after 1/2hour to 2hours of cutting, depending on the type of material and speed of operation.

5.12. Removing the Saw Blade:

- 5.12.1. Turn off the saw and unplug it from the power source.
- 5.12.2. Turn the blade tension wheel anticlockwise to decrease (or loosen) blade tension. fig.9
- 5.12.3. Pushing up from under the saw table, remove the throat plate.
- 5.12.4. Loosen both the upper and lower blade clamp screws with the T-handle hex key or by hand.
- 5.12.5. Pull up on the blade and push down on the saw arm to disengage the upper pins from the V-notch of the upper blade holder. Pull the blade downward to disengage the lower pins from the V-notch of the lower blade holder.
- 5.12.6. Place the new blade through the opening in the saw table with the teeth to the front of the saw and pointing down towards the saw table. The pins on the blade fit into the V-notch of the lower blade holder.
- 5.12.7. Pull up on the blade and press the upper arm down to position the pins of the blade in the V-notch in the upper blade holder.
- 5.12.8. Securely tighten the upper and lower blade clamps with the T-handle hex key or by hand. Turn the blade tension wheel clockwise until the blade has the desired amount of tension.
- 5.12.9. Replace the throat plate.
Note: If the blade touches the drop foot on either side, then the drop foot must be adjusted. See section on Adjusting the Drop Foot, 5.9.

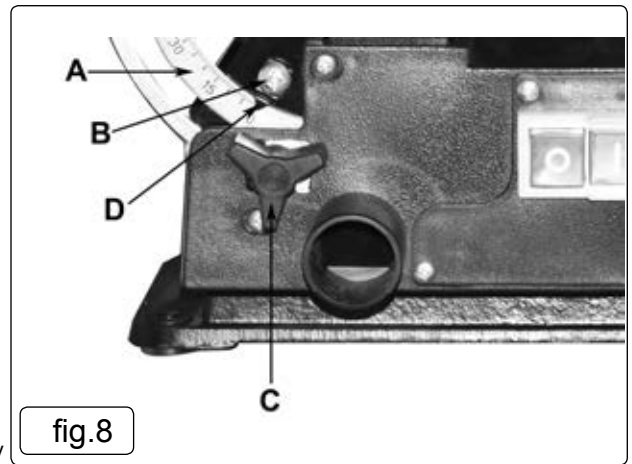


fig.8

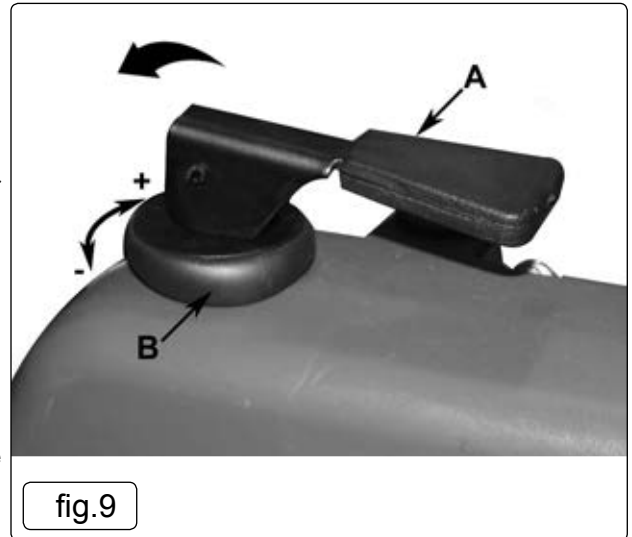


fig.9

6. OPERATION

6.1. Initial Operation

Note: Before starting a cut, turn the saw on and listen to the sound it makes. If you notice excessive vibration or an unusual noise, stop the saw immediately and unplug it. **DO NOT** restart the saw until you have located and corrected the problem.

Note: After the saw is turned on, a hesitation before blade movement is normal.

- 6.1.1. There is a learning curve for each person who uses this saw. During that period of time it is expected that some blades will break until you learn how to use and adjust the saw correctly. Plan the way you will hold the work piece from start to finish.
- 6.1.2. Keep your hands away from the blade. **DO NOT** hand hold pieces so small that your fingers would have to go under the drop foot.
- 6.1.3. Hold the work piece firmly against the saw table.
- 6.1.4. The blade teeth cut the work piece only on the down stroke. Use gentle pressure and both hands when feeding the work piece into the blade. **DO NOT** force the cut.
- 6.1.5. Guide the work piece into the blade slowly because the blade teeth are very small and can only remove material on the down stroke. Avoid awkward operations and hand positions where a sudden slip could cause serious injury from contact with the blade.
Never place your hands in the blade path.
For accurate wood cuts, compensate for the blades tendency to follow the wood grain as you are cutting. Use extra supports (table, blocks, etc.) when cutting large, small or awkward work pieces.
Never use another person as a substitute for a table extension or as an additional support for a work piece that is longer or wider than the basic saw table.
When cutting irregularly shaped work pieces, plan your cut so the work piece will not pinch the blade. Work pieces must not twist, rock or slip while being cut.
- 6.2. **Jamming of Saw Blade and Work piece**
When backing out the work piece, the blade may bind in the kerf (cut). This is usually caused by sawdust clogging the kerf or by the blade coming out of the blade holders. If this happens:
 - 6.2.1. Place the switch in the OFF position.
 - 6.2.2. Wait until the saw has come to a full and complete stop. Unplug the saw from the power source.

- 6.2.3. Remove the blade and the work piece, see section on Removing the Saw Blade.
- 6.2.4. Wedge the kerf open with a flat screwdriver or wooden wedge then remove the blade from the work piece .
 - ❑ **WARNING!** Before removing offcuts from the table, turn the saw off and wait for all moving parts to come to a full stop to avoid serious personal injury.

6.3. **Choosing the Right Blade and Speed**

The scroll saw accepts a wide variety of blade widths for cutting wood and other fibrous materials. The blade width and thickness and the number of teeth per inch or centimetre are determined by the type of material and the size of the radius being cut.
 Note: As a general rule, always select narrow blades for intricate curve cutting and wide blades for straight and large curve cutting.

6.4. **Blade Information**

Scroll saw blades wear out and must be replaced frequently for optimum cutting results. Scroll saw blades generally become dull after 1/2 hour to 2 hours of cutting, depending on the type of material and speed of operation.
 When cutting wood, best results are achieved with pieces less than one inch (25mm) thick. When cutting wood thicker than one inch (25mm), the user must guide the workpiece very slowly into the blade and take extra care not to bend or twist the blade while cutting.

6.5. **Speed Setting. fig.10**

- 6.5.1. By turning the speed selector, the saws speed may be adjusted from 400 to 1,600SPM (Strokes Per Minute). To increase the strokes per minute, turn the speed selector clockwise.
- 6.5.2. To decrease the strokes per minute, turn the speed selector anticlockwise.
 - A. TO INCREASE
 - B. TO DECREASE

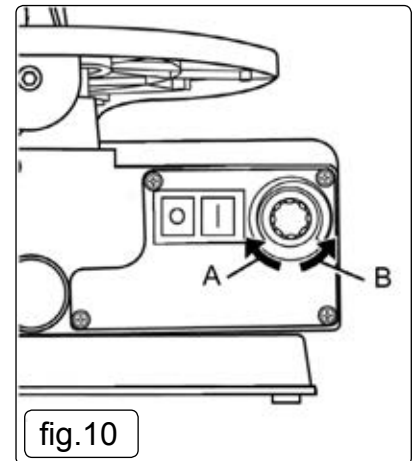


fig.10

6.6. **Scroll Cutting**

In general, scroll cutting consists in following the pattern lines by pushing and turning the work piece at the same time. Once you have started a cut, do not try to turn the work piece without pushing it - the work piece could bind or twist the blade.

- ❑ **WARNING!** To prevent serious personal injury, never leave the saw unattended until the blade has come to a complete stop.

6.7. **Interior Scroll Cutting fig.11**

- 6.7.1. One feature of a scroll saw is that it can be used to make scroll cuts within a work piece without breaking or cutting through the edge or perimeter of the work piece.
- 6.7.2. To make interior cuts in the work piece, remove the scroll saw blade as explained in the section on Installing Blades.
 Drill a 1/4in. (6mm) hole in the work piece.
- 6.7.3. Place the work piece on the saw table with the drilled hole over the hole in the table. Fit the blade, feeding it through the hole in the work piece; then adjust the drop foot and blade tension.
- 6.7.4. When finished making the interior scroll cut, simply remove the blade from the blade holders as described in the section on Installing Blades and remove the work piece from the saw table.
 - A. DRILL HOLE
 - B. INTERIOR CUT
 - C. WORK PIECE

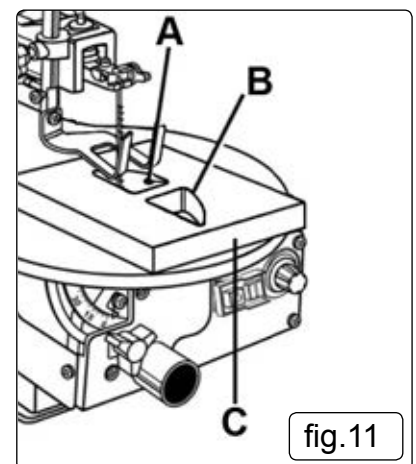


fig.11

6.8. **Stack Cutting. fig.12**

Once you have become well acquainted with your saw through practice and experience, you may wish to try stack cutting.
 Stack cutting may be used when several identical shapes need to be cut. Several work pieces may be stacked one on top of the other and secured to each other before cutting. Pieces of wood may be joined together by placing double sided tape between each piece or by wrapping tape around the corners or ends of the stacked wood. The stacked pieces must be attached to each other in such a way that they can be handled on the table as a single work piece.

- ❑ **WARNING!** To avoid serious personal injury, **DO NOT** cut several work pieces at a time unless they are properly attached to each other.
 - A. WOOD PIECES
 - B. TAPE

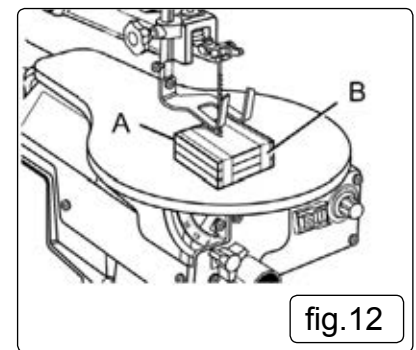


fig.12

7. MAINTENANCE

- ❑ **WARNING!** Unplug from mains supply before performing any maintenance.
- ❑ **WARNING!** When replacing parts, use only authorised replacement parts. The use of any other spare parts may create a hazard or damage your saw.

7.1. **General Maintenance**

- 7.1.1. Keep your scroll saw clean.
- 7.1.2. Do not allow pitch to accumulate on the saw table. Clean it with a suitable cleaner.

7.2. **Arm Bearings. fig.13**

Lubricate the arm bearings after the first 10 hours of use. Oil them every 50 hours of use or whenever there is a squeak coming from the bearings.

- 7.2.1. Carefully place the saw on its side as shown in Fig.15. Remove the rubber cap from the upper and the lower arm of the saw.

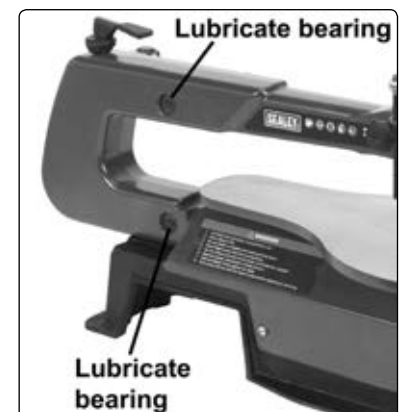


fig.13

- 7.2.2. Squirt a few drops of oil on the end of the shaft and arm bearings. Leave the saw in this position overnight to let the oil soak in.
Note: Lubricate the bearings on the other side of the saw in the same manner.
- ❑ **WARNING!** If the power cord is worn, cut, or damaged in any way, have it replaced immediately by a qualified service technician. Failure to do so could result in serious personal injury.
- A. ARM BEARINGS

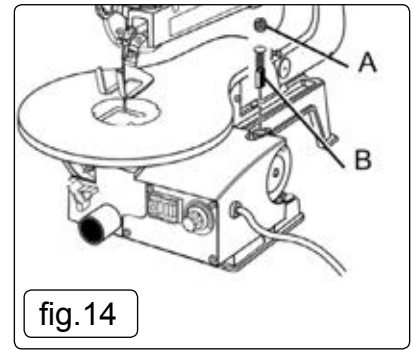


fig.14

- 7.3. **Carbon Brushes. fig.14**
 The saw has externally accessible carbon brushes that should be checked periodically for wear. When one of the two brushes becomes worn, replace both brushes. Unplug the saw from the power source.
- 7.3.1. Using a flat blade screwdriver, remove the bottom brush assembly cap through the access hole in the base and the top brush assembly cap from the top of the motor. Gently pry the brush assemblies out using a small screwdriver, the pointed end of a nail, or a paper clip.
- 7.3.2. If one of the brushes is worn down shorter than 1/4in. (6mm), replace both brushes. **DO NOT** replace one brush without replacing the other. Make sure the curvature at the end of the brushes matches the curvature of the motor and that each carbon brush moves freely in its brush holder.
- 7.3.3. Make sure the brush cap is positioned correctly (straight). Tighten the carbon brush cap using a hand powered screwdriver only. **DO NOT** over tighten.
- ❑ **WARNING!** To prevent accidental starting that could cause serious personal injury, turn off and unplug the saw before carrying out any maintenance work.
 - ❑ **WARNING!** Failure to unplug your saw could result in accidental starting causing serious injury.
- A. BRUSH CAP
 B. CARBON BRUSH

8. TROUBLESHOOTING

PROBLEM	CAUSE	SOLUTION
Braking Blades.	1. Incorrect tension.	1. Adjust blade tension.
	2. Over worked blade.	2. Feed work piece more slowly.
	3. Wrong blade.	3. Use narrow blades for thin work pieces, wide blade for thick.
	4. Twisting blade with work piece.	4. Avoid side pressure, or twist on blades
Motor will not operate.	1. Power supply fault.	1. Check power supply and fuses.
	2. Motor fault	2. Contact local authorised Service Agent.
Vibration.	1. Mounting or mounting surface.	1. Ensure mount bolts are tight. The more solid the surface the less the vibration.
	2. Loose table.	2. Tighten table lock and pivot screws.
	3. Loose motor.	3. Tighten motor mounting screws.
Blade run-out	1. Blade holder misaligned	1. Loosen blade holder screws(s) and realign.

9. OPTIONAL BLADES

Saw blades with hardened steel teeth suitable for cutting wood, plastics and thin metal sheet.

Model No: SM43B10SM43B15.....SM43B20.....SM43B25
 Blade Pitch: 10tpi.....15tpi..... 20tpi.....25tpi
 Pack Qty: 12.....12.....12.....12



ENVIRONMENT PROTECTION

Recycle unwanted materials instead of disposing of them as waste. All tools, accessories and packaging should be sorted, taken to a recycling centre and disposed of in a manner which is compatible with the environment. When the product becomes completely unserviceable and requires disposal, drain any fluids (if applicable) into approved containers and dispose of the product and fluids according to local regulations.



WEEE REGULATIONS

Dispose of this product at the end of its working life in compliance with the EU Directive on Waste Electrical and Electronic Equipment (WEEE). When the product is no longer required, it must be disposed of in an environmentally protective way. Contact your local solid waste authority for recycling information.

Note: It is our policy to continually improve products and as such we reserve the right to alter data, specifications and component parts without prior notice.

Important: No Liability is accepted for incorrect use of this product.

Warranty: Guarantee is 12 months from purchase date, proof of which is required for any claim.

Sealey Group, Kempson Way, Suffolk Business Park, Bury St Edmunds, Suffolk. IP32 7AR



01284 757500



01284 703534



sales@sealey.co.uk



www.sealey.co.uk