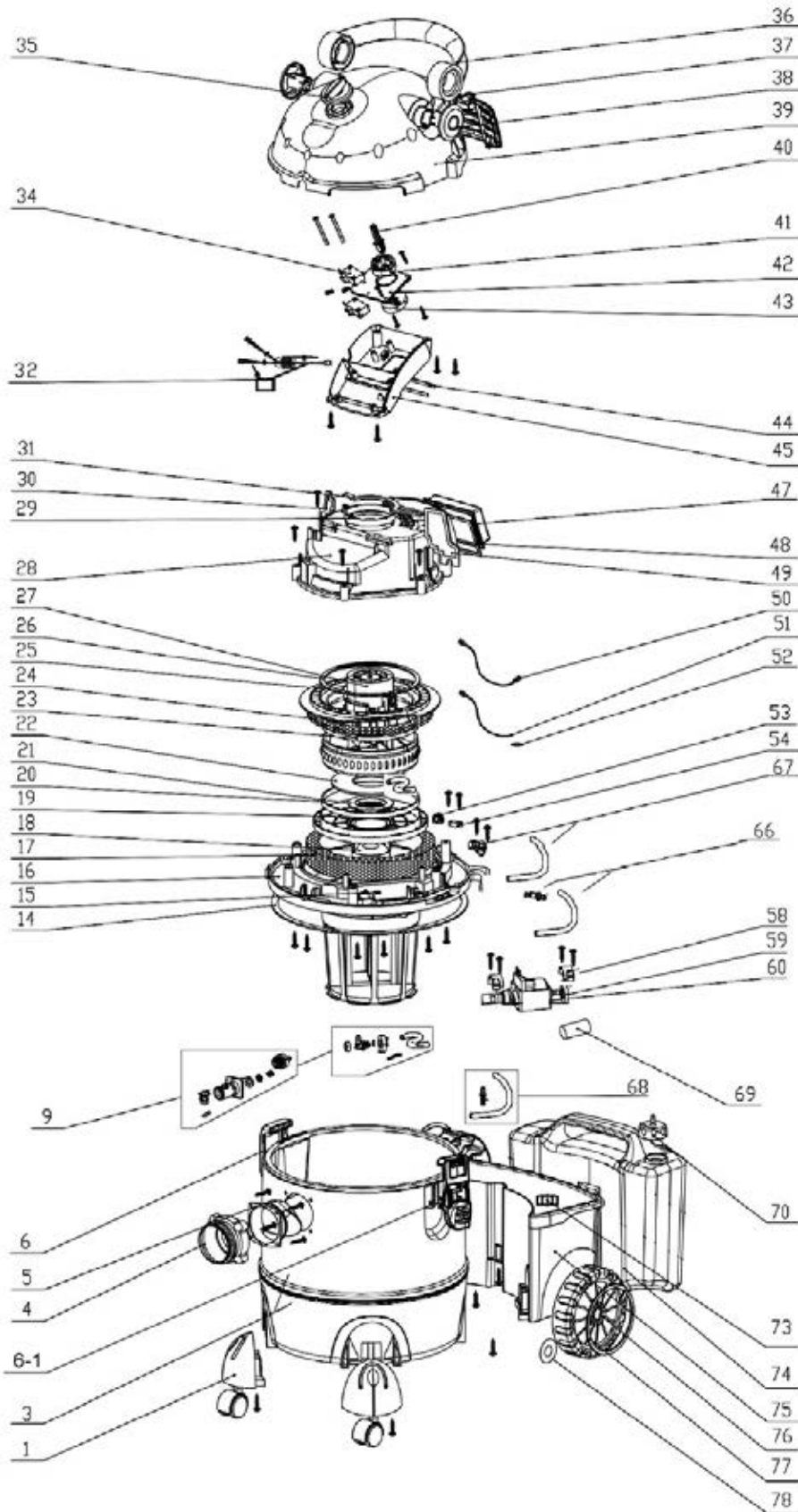


Parts Information:
**Valeting Machine Wet & Dry with
 Accessories 20ltr 1250W/230V
 Model No: PC310**



NOTE: It is our policy to continually improve products and as such we reserve the right to alter data, specifications and component parts without prior notice.

IMPORTANT: No liability is accepted for incorrect use of product.

WARRANTY: Guarantee is 12 months from purchase date, proof of which will be required for any claim.



Parts Information:
**Valeting Machine Wet & Dry with
 Accessories 20ltr 1250W/230V
 Model No: PC310**

Item	Part No.	Description
1	PC200SD.V3-26	CASTOR & FOOT SUPPORT ASS'Y
3	PC310.03	PLASTIC TANK c/w BASE
4	PC310.04	AIR INLET CONNECTION
5	PC310.05	SUCTION PRESS BOARD
6	PC310.06	BIN CLIP
6-1	PC310.06-1	BIN CLIP RETAINER
9	PC310.09	VALVE ASSY (INC PARTS 07,08,10,11,12&13)
14	PC310.14	SEALING GASKET (TWO PER MACHINE)
15	PC310.15	PU BAR
16	PC310.16	LOWER CASING
17	PC310.17	SILENCER SPONGE
18	PC310.18	FLOAT
19	PC310.19	TRAY
20	PC310.20	FOAM SEAL
21	PC310.21	PLASTIC FENCE
22	PC310.22	SILENCER CUSHION
23	PC310.23	SEALING GASKET
24	PC310.24	SILENCER SPONGE
25	PC310.25	SILENCER BOARD
26	PC310.26	PU BAR
27	PC310.27	MOTOR
28	PC310.28	AIR OUTLET
29	PC310.29	DAMPING BAR
30	PC310.30	AIR BLOCK BOARD
31	PC310.31	PU BAR
32	VMA915.18	CAPACITOR & INDUCTANCE ASS'Y
34	PC310.35	SWITCH
35	PC310.36	SWITCH KNOB
36	PC310.37	HANDLE
37	PC310.38	BARRIER
38	PC310.39	COVER
39	PC310.40	TOP COVER

Item	Part No.	Description
40	PC310.41	POLE
41	PC310.42	CAM
42	PC310.43	BOARD
43	PC310.44	CAM
44	PC310.45	SPRING
45	PC310.46	SWITCH BOX
47	PC310.48	FILTER FRAME c/w FILTER
48	PC310.49	SEAL RING
49	PC310.50	AIR BLOCK BOARD
50	PC310.51	WIRE
51	PC310.52	WIRE
52	PC310.53	CONNECTOR
53	PC310.54	CABLE SLEEVE
54	PC310.55	CLAMP
58	PC310.59	PUMP COVER
59	PC310.60	DAMPING RING
60	PC310.61	PUMP
66	PC310.67	WATER PIPE,PUMP INLET c/w TIE-IN SEAT AS
--	PC310.67A	SCREW (PAIR) (NOT SHOWN)
67	PC310.69	WATER PIPE,SOAP TANK LOWER c/w FILTER (I
--	PC310.68-O	O-RING SEAL FOR SOAP TANK UPPER TIE-IN E (NOT SHOWN)
68	PC310.69	WATER PIPE,SOAP TANK LOWER c/w FILTER (I
69	PC310.70	BUSHING
70	PC310.69	WATER PIPE,SOAP TANK LOWER c/w FILTER (I
73	PC310.74	NUT
74	PC310.75	SOAP TANK
75	PC310.76	SOAP TANK HOUSING
76	PC310.77	WHEEL
77	PC310.78	WHEEL TRIM (RED)
78	PC310.79	REPAIR WASHER
--	PC200.14	FOAM FILTER (SINGLE) (NOT SHOWN)

NOTE: It is our policy to continually improve products and as such we reserve the right to alter data, specifications and component parts without prior notice.

IMPORTANT: No liability is accepted for incorrect use of product.

WARRANTY: Guarantee is 12 months from purchase date, proof of which will be required for any claim.

Sealey Group, Kempson Way, Suffolk Business Park, Bury St Edmunds, Suffolk. IP32 7AR



01284 757500



01284 703534



sales@sealey.co.uk



www.sealey.co.uk

ACCESSORIES



Item	Part No.	Description
		ACCESSORIES
1	PC310.A01	SHAMPOO PIPE FOR LARGE WASH HEAD
2	PC310.A02	SHAMPOO HEAD, LARGE
3	PC310.A03	SHAMPOO SPRAYING NOZZLE
4	PC310.A04	SHAMPOO HEAD, SMALL
5	PC310.A05	ELBOW TOOL (AIR FLOW REGULATOR)
6	PC310.A06	EXTENSION TUBE
8	PC310.A08	COMBO FLOOR BRUSH
9	PC300SD.V3-54	CREVICE TOOL

Item	Part No.	Description
10	PC310.A10	UTILITY NOZZLE, SMALL
11	PC310.A11	SUCTION HOSE 1.7M
12	PC310.A12	CLIP,SUCTION HOSE.
13	PC310.A13	SPRAY TRIGGER C/W SHAMPOO DELIVERY TUBE
14	PC310CF	CARTRIDGE FILTER for PC310
15	PC200FF10	FOAM FILTER for PC200, PC200SD & PC300SD
--	PC200PB5	DUST COLLECTION BAG for PC200, PC200SD P (NOT SHOWN)
--	PC310.P	PUMP ASSEMBLY (NOT SHOWN)

NOTE: It is our policy to continually improve products and as such we reserve the right to alter data, specifications and component parts without prior notice.

IMPORTANT: No liability is accepted for incorrect use of product.

WARRANTY: Guarantee is 12 months from purchase date, proof of which will be required for any claim.