



PLATFORM TRUCKS

MODEL NO: **CST773**

Thank you for purchasing a Sealey product. Manufactured to a high standard, this product will, if used according to these instructions, and properly maintained, give you years of trouble free performance.

IMPORTANT: PLEASE READ THESE INSTRUCTIONS CAREFULLY. NOTE THE SAFE OPERATIONAL REQUIREMENTS, WARNINGS & CAUTIONS. USE THE PRODUCT CORRECTLY AND WITH CARE FOR THE PURPOSE FOR WHICH IT IS INTENDED. FAILURE TO DO SO MAY CAUSE DAMAGE AND/OR PERSONAL INJURY AND WILL INVALIDATE THE WARRANTY. KEEP THESE INSTRUCTIONS SAFE FOR FUTURE USE.



Refer to instructions

1. SAFETY

- ✓ Always load evenly with the centre of gravity of the load as near to the centre of the truck as possible.
- ✓ Obtain additional support for large or wide loads to prevent tipping.
- * **DO NOT** overload the truck - see Specifications.
- * **DO NOT** leave unattended, especially when loaded, unless the wheels are chocked or the truck is otherwise secured.
- * **DO NOT** use truck on uneven ground and do not run over curbs or steps - use a ramp.
- * **DO NOT** allow others to ride on the truck.
- * **DO NOT** use the truck if any part is significantly damaged - pay particular attention to the wheels.

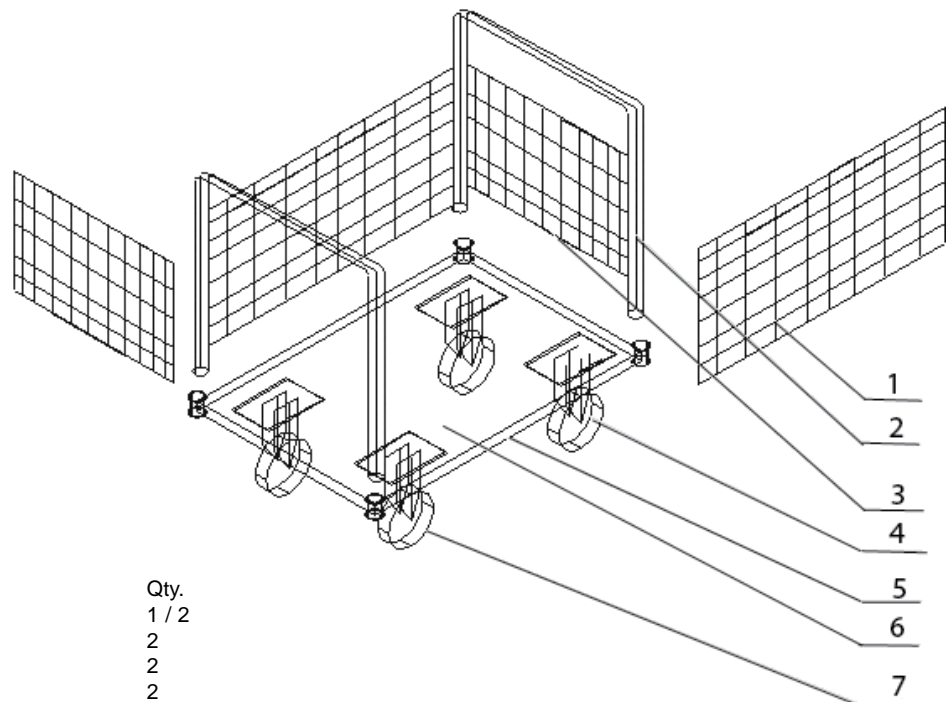
2. INTRODUCTION

Welded construction with 15mm wood composite platform and four removable wire mesh panels. Two fixed wheels and two braked castors for easy manoeuvring and safe loading and unloading. Ideal for warehouse and industrial applications.

3. SPECIFICATION

Model **CST773**
 Capacity: 300kg
 Platform Dimensions: 1200x800mm
 Platform Height: 280mm
 Side Height: 590mm
 Overall W x L x H: 800x1420x1150mm
 Wheel size: Ø200x50

4. ASSEMBLY



| NO. | Part name | Qty. |
|-----|--------------------------|-------|
| 1 | Steel mesh panel | 1 / 2 |
| 2 | Handle | 2 |
| 3 | Steel mesh panel | 2 |
| 4 | Fixed Wheel | 2 |
| 5 | Base frame | 1 |
| 6 | Base Plate (wood) | 1 |
| 7 | Swivel Castor with brake | 2 |



ENVIRONMENT PROTECTION

Recycle unwanted materials instead of disposing of them as waste. All tools, accessories and packaging should be sorted, taken to a recycling centre and disposed of in a manner which is compatible with the environment. When the product becomes completely unserviceable and requires disposal, drain any fluids (if applicable) into approved containers and dispose of the product and fluids according to local regulations.

Note: It is our policy to continually improve products and as such we reserve the right to alter data, specifications and component parts without prior notice.

Important: No Liability is accepted for incorrect use of this product.

Warranty: Guarantee is 12 months from purchase date, proof of which is required for any claim.

Sealey Group, Kempson Way, Suffolk Business Park, Bury St Edmunds, Suffolk. IP32 7AR



01284 757500



01284 703534



sales@sealey.co.uk



www.sealey.co.uk