



HEAVY-DUTY WORKBENCH WITH 5 DRAWERS BALL BEARING RUNNERS

MODEL NO: **AP2030BB**

Thank you for purchasing a Sealey product. Manufactured to a high standard, this product will, if used according to these instructions, and properly maintained, give you years of trouble free performance.

IMPORTANT: PLEASE READ THESE INSTRUCTIONS CAREFULLY. NOTE THE SAFE OPERATIONAL REQUIREMENTS, WARNINGS & CAUTIONS. USE THE PRODUCT CORRECTLY AND WITH CARE FOR THE PURPOSE FOR WHICH IT IS INTENDED. FAILURE TO DO SO MAY CAUSE DAMAGE AND/OR PERSONAL INJURY AND WILL INVALIDATE THE WARRANTY. KEEP THESE INSTRUCTIONS SAFE FOR FUTURE USE.



Refer to instructions

1. SAFETY

1.1 GENERAL SAFETY

- ❑ **WARNING!** Ensure Health & Safety, local authority, and general workshop practice regulations are adhered to when using this bench.
- ✓ Locate bench in a suitable working area.
- ✓ Keep the work area clean, uncluttered and ensure there is adequate lighting.
- ❑ **WARNING!** Use bench on level and solid ground, preferably concrete. Avoid tarmacadam since the bench may sink into the surface.
- ✓ Keep the bench clean and tidy in accordance with good workshop practice.
- ✓ Keep children and unauthorised persons away from the working area.
- * **DO NOT** use the bench for any purpose other than that for which it is designed.
- * **DO NOT** exceed maximum capacity of workbench.
- * **DO NOT** undertake work on the bench without the work-piece being adequately secured. Use clamps or a vice (not included) to secure the work-piece. Available from your Sealey dealer.
- * **DO NOT** use the bench out of doors.
- * **DO NOT** get the bench wet or use in damp or wet locations or areas where there is condensation.
- * **DO NOT** clean the bench with any solvents which may damage the paint surface or the protective coating on the wooden top.

2. INTRODUCTION

Powder coated steel panels with 40mm wood laminate top. Five drawers. Open shelving for storage of larger items. Supplied flat packed.

3. SPECIFICATION

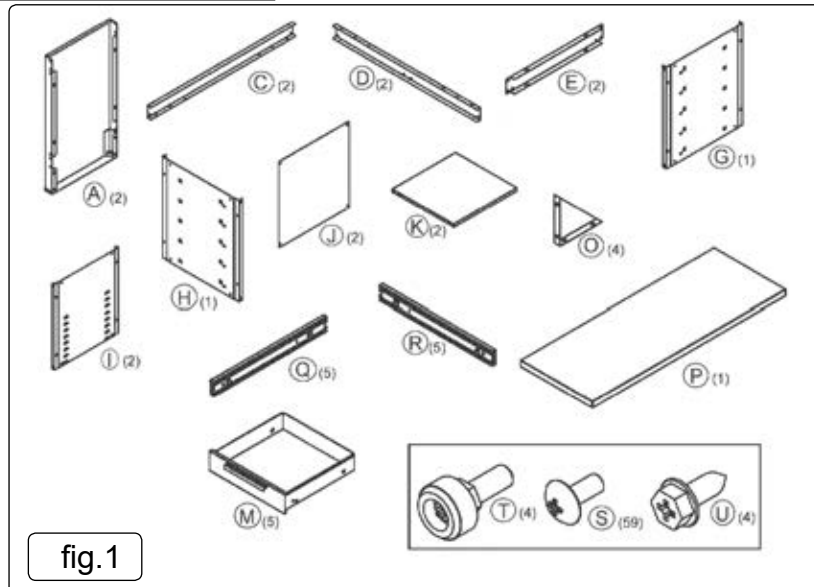


fig. 1

Table Size (W x D): 1372 x 508mm

Working Height: 865mm

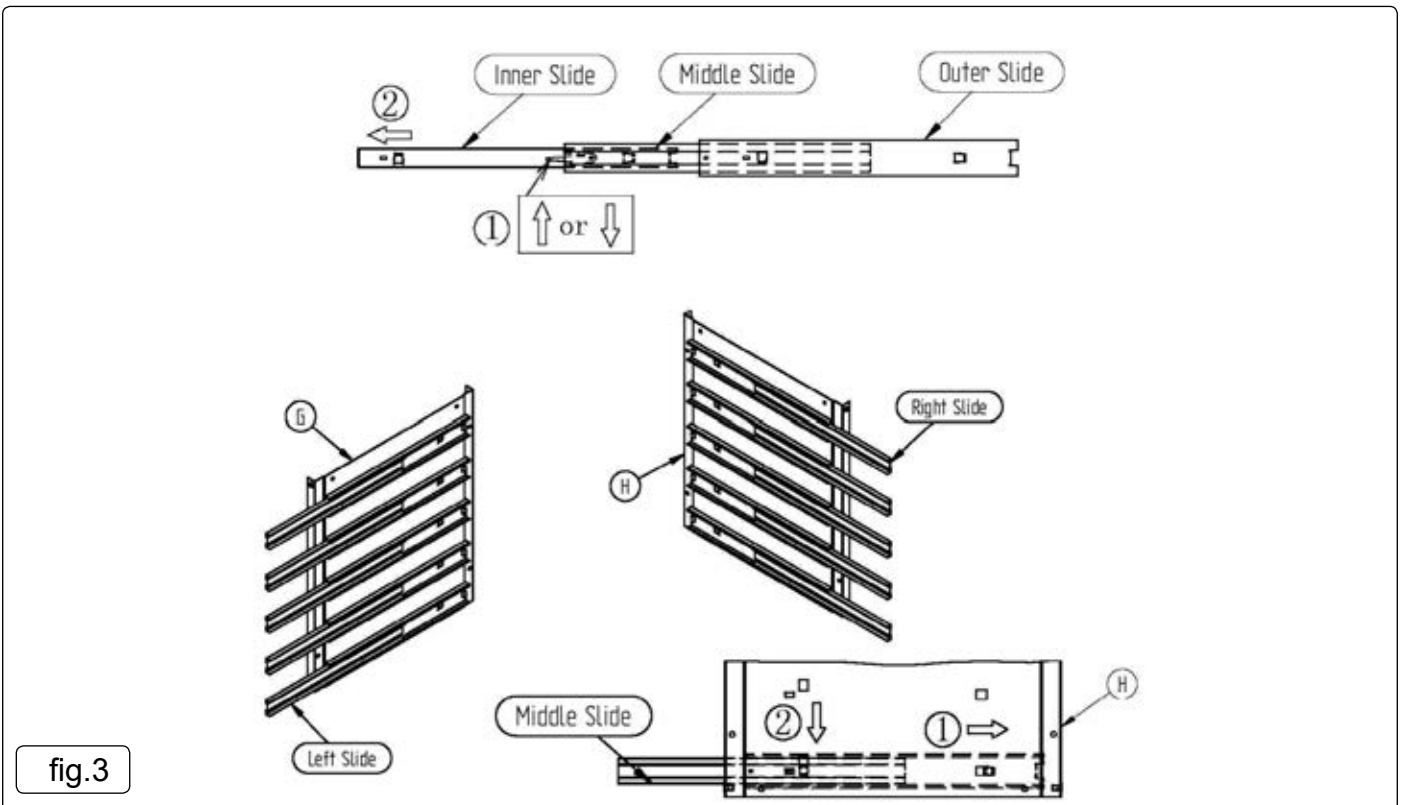
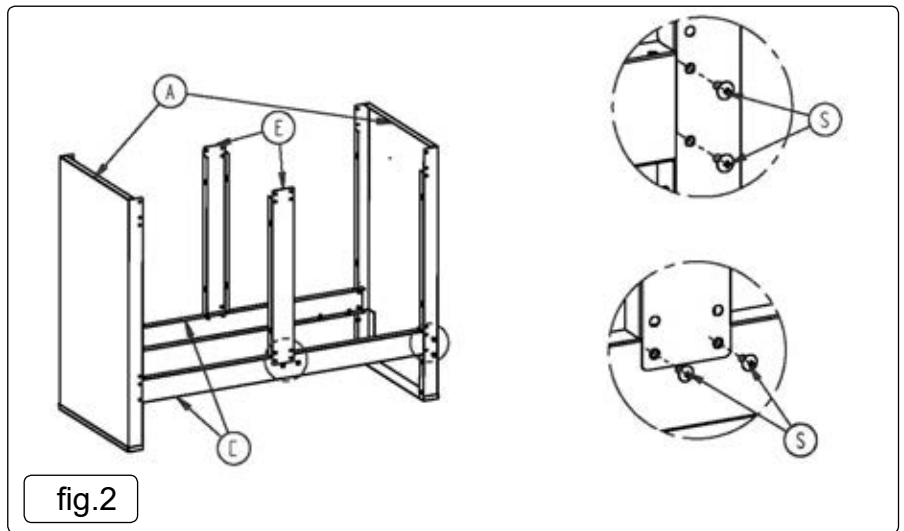
Capacity: 250kg

3.1. Carefully unpack the product and check the contents against the diagram below. Should any items be missing or damaged make immediate contact with your Sealey dealer.

- | | | | |
|-----------------------------|------------------------------|------------------------------|--------------------------------------|
| A SIDE PANEL | H RIGHT SIDE PANEL | M DRAWER | R RIGHT SIDE RUNNER |
| C BOTTOM RAIL | I SUPPORT PANEL | O CORNER BRACE | S SCREW SELF TAPPING SCREW |
| D TOP RAIL | J BACK PANEL | P WOODEN TOP | T ADJUSTABLE LEG LEVELLER |
| E CENTRE SUPPORT | K SHELF | Q LEFT SIDE RUNNER | U HEX HEAD SCREW 5/8" |
| G LEFT SIDE PANEL | | | |

4. ASSEMBLY

4.1. As shown in the diagram assemble the two large side panels (A), bottom rail (C) and centre support (E).



4.2. Attach the outer slide to the corresponding left/right side panel (G, H). Insert the tabs into the holes in the side panel making sure that the slider stop fits into the small hole.

4.3. Attach the side panels (G, H) onto the main unit by screwing them to the front centre support (E) and side panels. Attach support panels (I) to the side of the unit without sliders.

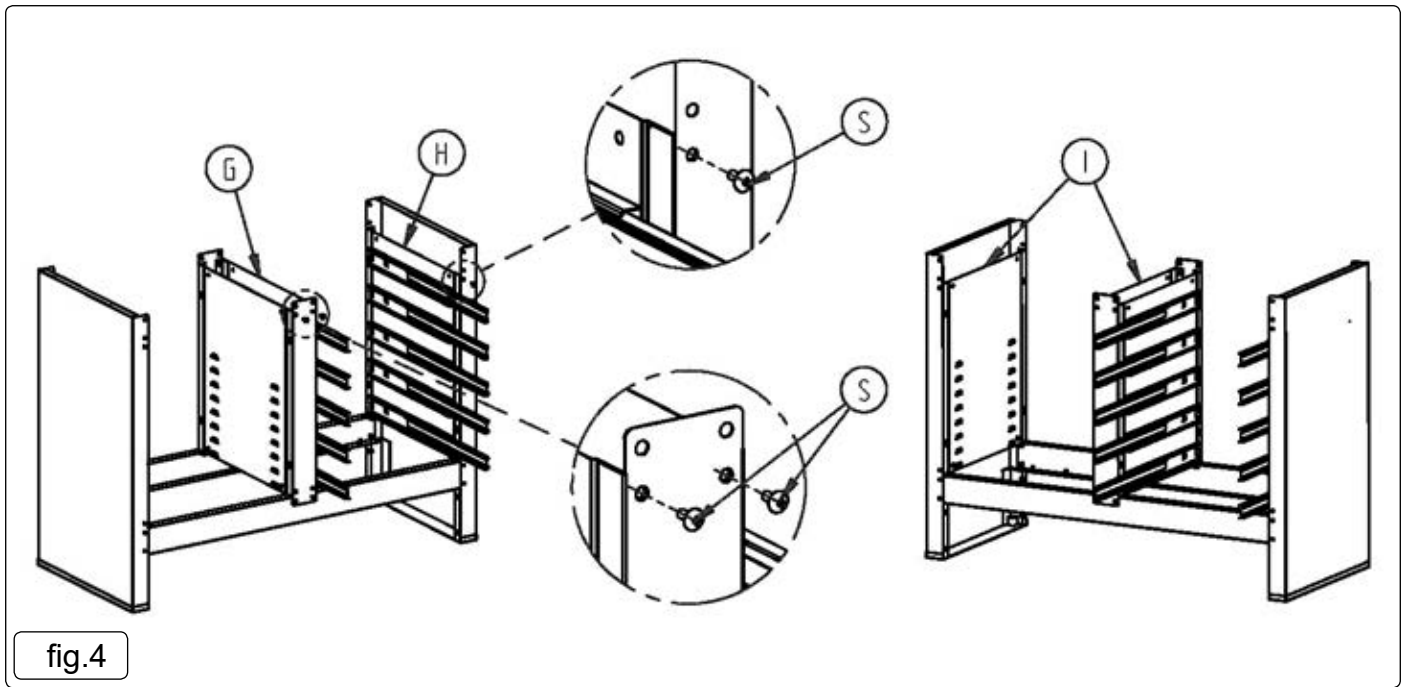


fig.4

- 4.4. Screw the top rails (D) onto the front and back.
- 4.5. Secure the back panels (J) using 8 screws, 4 in each corner.

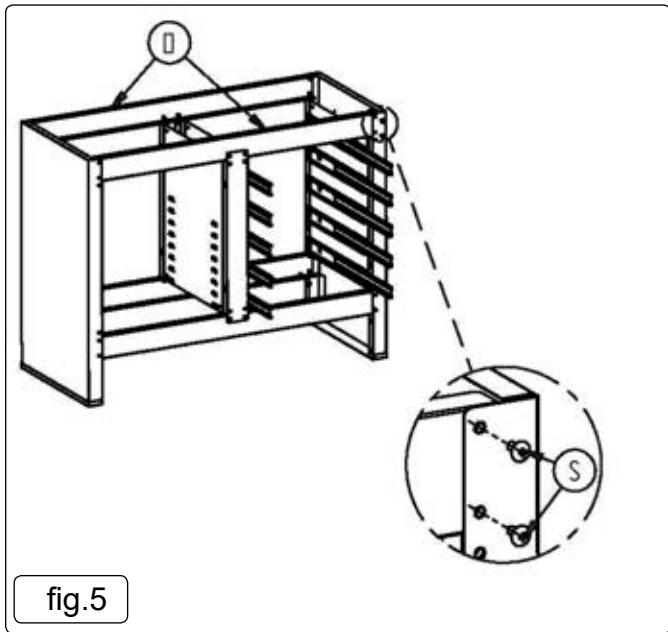


fig.5

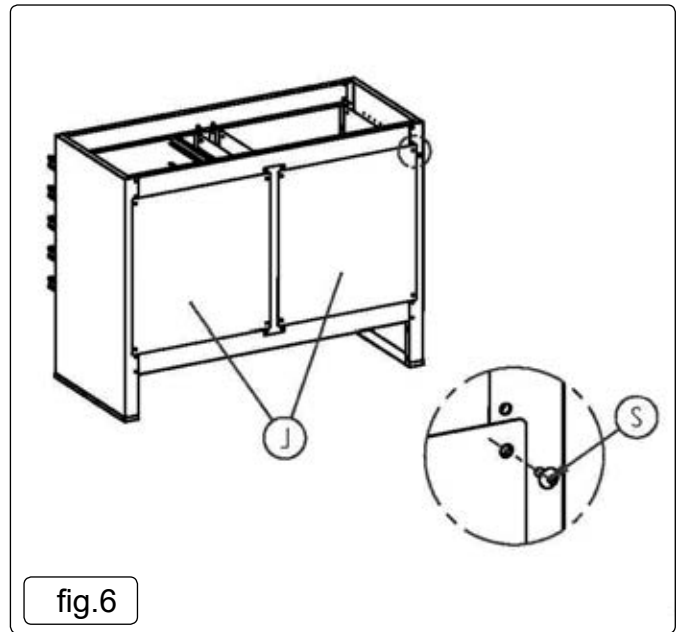
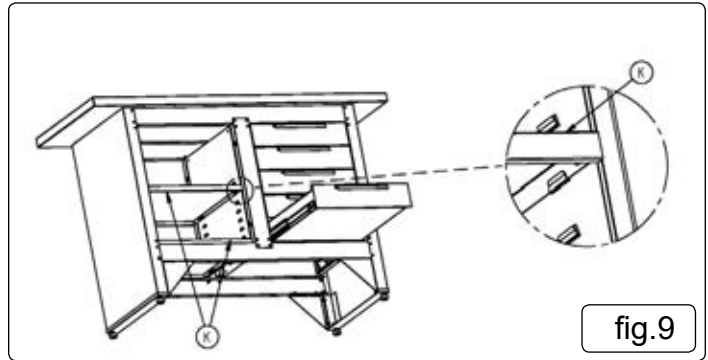
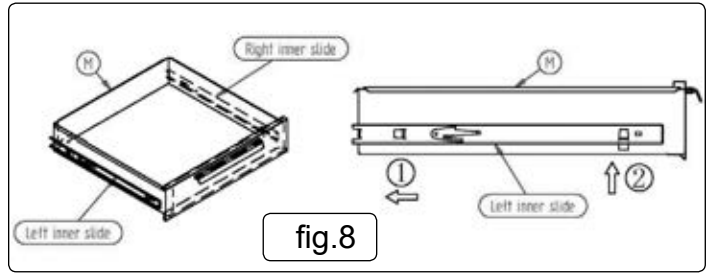
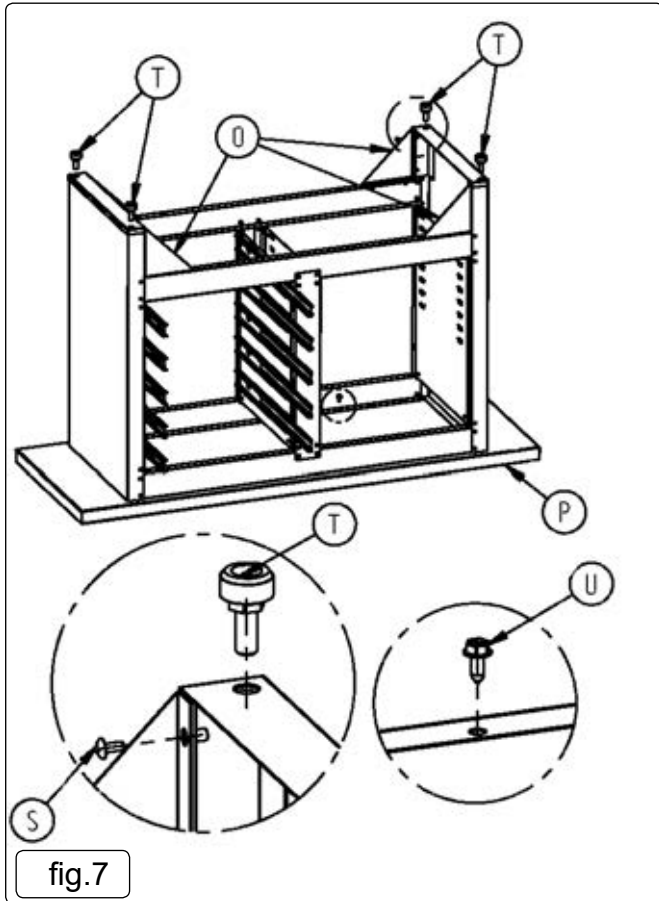


fig.6

- 4.6.
- 4.7. Turn the workbench upside down and screw in the corner braces (O) as shown in the diagram. At each corner attach the leg levellers (T). Slide the workbench top (P) under the main unit and fix with 4 hex head screws (U)
- 4.8. Attach the inner slides onto the drawers. Slot the horizontal tab into the hole in the drawer and the vertical tab into the other hole. Push down until the

stop slots into the small hole.

4.9. Pull the middle slide and the ball bearings out as far as possible. Hold the drawer and slot the inner slide on the drawer into the middle slide, then push the drawer all the way in. Take the shelves (K) and slot them into the support panels at the height required. To remove drawer see 4.2



ENVIRONMENT PROTECTION
 Recycle unwanted materials instead of disposing of them as waste. All tools, accessories and packaging should be sorted, taken to a recycling centre and disposed of in a manner which is compatible with the environment. When the product becomes completely unserviceable and requires disposal, drain any fluids (if applicable) into approved containers and dispose of the product and fluids according to local regulations.

Note: It is our policy to continually improve products and as such we reserve the right to alter data, specifications and component parts without prior notice.
Important: No Liability is accepted for incorrect use of this product.
Warranty: Guarantee is 12 months from purchase date, proof of which is required for any claim.

Sealey Group, Kempson Way, Suffolk Business Park, Bury St Edmunds, Suffolk. IP32 7AR
 ☎ 01284 757500 📠 01284 703534 ✉ sales@sealey.co.uk 🌐 www.sealey.co.uk