

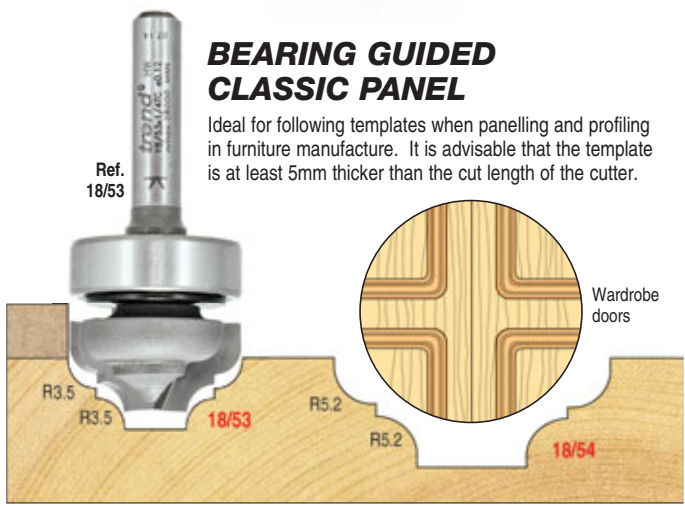
OGEE & CLASSIC MOULD



TCT
TUNGSTEN
CARBIDE
TIPPED

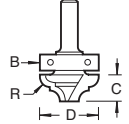
BEARING GUIDED CLASSIC PANEL

Ideal for following templates when panelling and profiling in furniture manufacture. It is advisable that the template is at least 5mm thicker than the cut length of the cutter.



Ref. 18/53

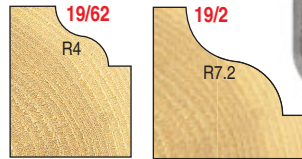
Wardrobe doors



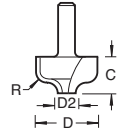
R mm	D mm	C mm	B mm	Product Ref.	Shank Diameter
3.5	22.0	10.0	22.0	18/53	1/4"
5.2	35.0	14.0	35.0	18/54	1/2"

OGEE CUTTER

Cutters for false panels or edge moulds.



Ref. 19/2

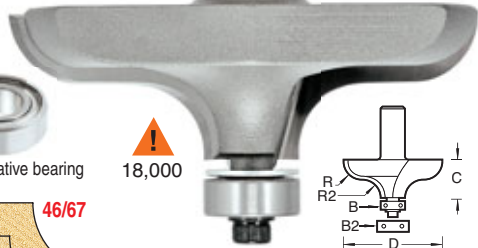


R mm	D mm	D2 mm	C mm	Product Ref.	Shank Dia.
4.0	19.0	5.0	11.0	19/62	1/4"
7.2	33.0	8.0	23.0	19/2	1/2"

BEARING GUIDED OGEE

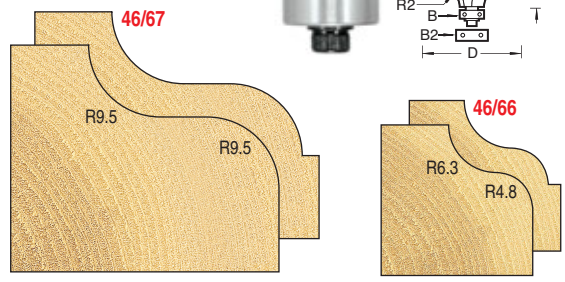
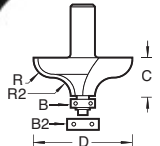
Supplied with two bearings. The larger bearing removes the bottom quirk.

Ref. 46/67



with alternative bearing

18,000

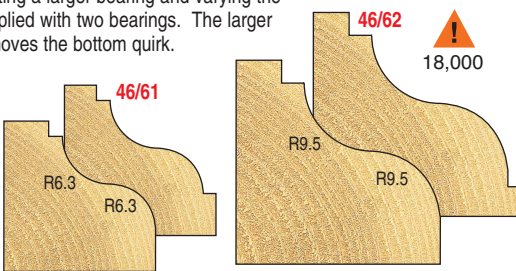
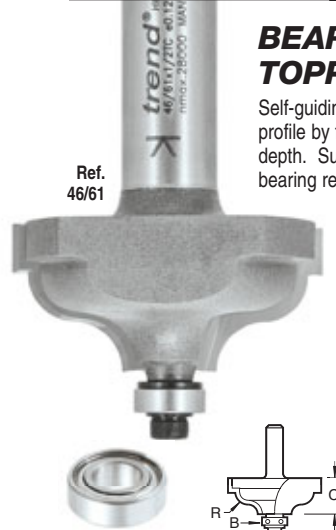


R mm	R2 mm	D mm	C mm	B mm	B2 mm	Product Ref.	Shank Diameter
6.3	4.8	35.0	17.5	9.5	12.7	46/66	1/4"
9.5	9.5	63.0	20.0	9.5	12.7	46/67	1/2"

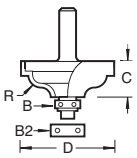
BEARING GUIDED QUIRK TOPPED OGEE

Self-guiding cutters with the facility to change the profile by fitting a larger bearing and varying the depth. Supplied with two bearings. The larger bearing removes the bottom quirk.

Ref. 46/61



18,000

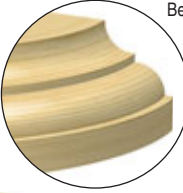


R mm	D mm	C mm	B mm	B2 mm	Product Ref.	Shank Diameter
6.3	41.3	17.5	9.5	12.7	46/61	1/2"
9.5	57.0	25.5	9.5	12.7	46/62	1/2"

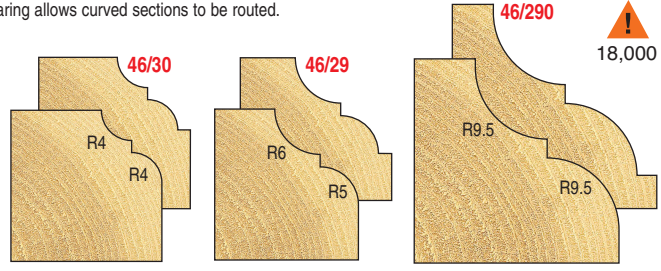
BEARING GUIDED CLASSIC STYLE

Self-guiding cutters with the facility to change the profile by fitting a larger bearing and varying the depth. Supplied with two bearings. The larger bearing removes the bottom quirk.

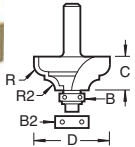
Ref. 46/30



Bearing allows curved sections to be routed.



18,000



R mm	R2 mm	D mm	C mm	B mm	B2 mm	Product Ref.	Shank Diameter
4.0	4.0	29.0	12.7	9.5	12.7	46/30	1/4"
6.0	5.0	34.9	17.5	9.5	12.7	46/29	8mm
9.5	9.5	51.0	24.0	9.5	12.7	46/290	1/2"