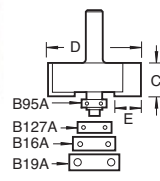


REBATE CUTTERS

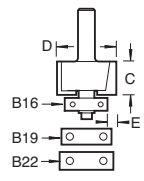
TCT
TUNGSTEN
CARBIDE
TIPPED

BEARING GUIDED REBATE SET

- Popular rebate sets which include different size bearings for a choice of rebates.
 - Easy to set-up and accurate depth of cut.
 - Ideal for rebating straight and shaped workpieces.
 - Ref. 46/39L has a 60mm shank length to give access to deep rebates.
 - Ref. 46/44 is ideal for delicate applications such as musical instrument production, when a small rebate is required for insertion of purfling.
- ▲ When using bearing Ref. B95A, make two passes if a full depth of cut is required by using a larger bearing first.



D mm	C mm	Product Ref.	1/4"	Shank Diameter 8mm	1/2"
35.0	12.7	46/39	£71.60	£71.60	£77.15
35.0	12.7	46/39L	-	-	£86.93



D mm	C mm	Product Ref.	1/4"	Shank Diameter 8mm
24.0	12.7	46/44	£66.03	£66.03

SUPPLIED WITH THREE BEARINGS BELOW

Rebate E mm	Bearing Dia. mm	Product Ref.	Price
1.0	22.0	B22	£11.06
2.5	19.0	B19	£5.18
4.0	16.0	B16	£4.64

ALTERNATIVE BEARINGS

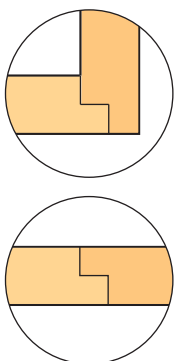
Rebate E mm	Bearing Dia. mm	Product Ref.	Price
2.0	20.0	B20	£11.06
3.0	18.0	B18	£12.17
3.5	17.0	B17	£11.92
4.5	15.0	B15	£11.92
5.0	14.0	B14	£11.92
5.6	12.7	B127	£7.81

SUPPLIED WITH FOUR BEARINGS BELOW

Rebate E mm	Bearing Dia. mm	Product Ref.	Price
7.9	19.0	B19A	£8.35
9.5	16.0	B16A	£6.62
11.1	12.7	B127A	£5.18
12.7	9.5	B95A	£6.48

ALTERNATIVE BEARINGS

Rebate E mm	Bearing Dia. mm	Product Ref.	Price
2.5	30.0	B300A	£11.92
5.0	25.0	B25A	£11.92
6.0	23.0	B23A	£11.06
7.0	21.0	B21A	£11.06



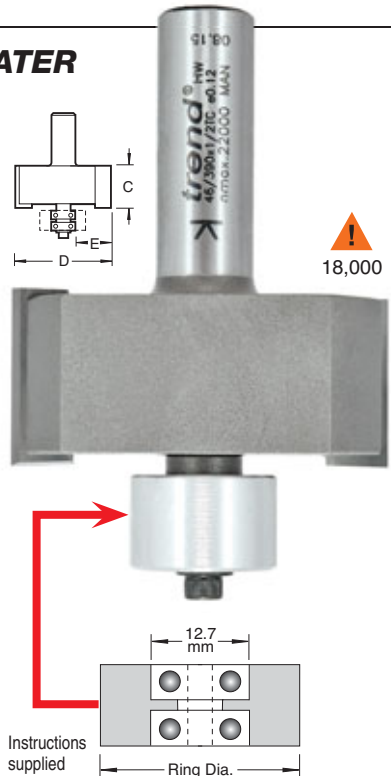
BEARING GUIDED LARGE REBATER

- Bearing guided for straight or curved work for portable Wand stationary routers.
- Supplied as standard with Ref. BR/191 fitted.
- A variety of alloy bearing rings are available as accessories to give various rebate sizes. Rings are secured between the two bearings.

D mm	C mm	E mm	Product Ref.	Shank Dia. 1/2"
50.8	22.5	19.1 & 15.9	46/390	£89.71

Alternative size rebates using alloy bearing rings below

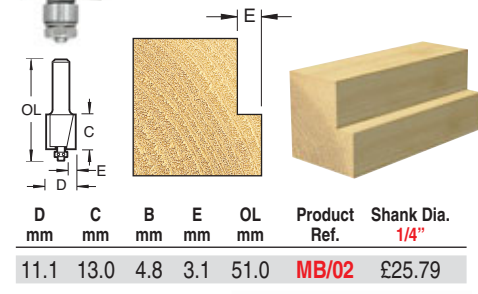
Rebate E mm	Ring Dia. mm	Product Ref.	Price
3.2	44.4	BR/444	£8.35
4.75	41.3	BR/413	£8.35
6.35	38.1	BR/381	£8.35
9.5	31.7	BR/317	£8.35
12.7	25.4	BR/254	£5.96
14.3	22.2	BR/222	£5.96
15.1	20.6	BR/206	£5.96
15.9	19.1	BR/191	£5.96
17.45	15.9	BR/159	£5.96
18.25	14.3	BR/143	£5.96



MINIATURE BEARING GUIDED REBATER

- Follows the work edge to give a preset width of rebate.
- Small bearing allows access into tight corners.

▲ A miniature bearing is fitted which has a limited life of approx. 100 linear metres, after which it must be replaced.



D mm	C mm	B mm	E mm	OL mm	Product Ref.	Shank Dia. 1/4"
11.1	13.0	4.8	3.1	51.0	MB/02	£25.79

MINIATURE BEARING CUTTERS

For full range, see page 54 for full details.

