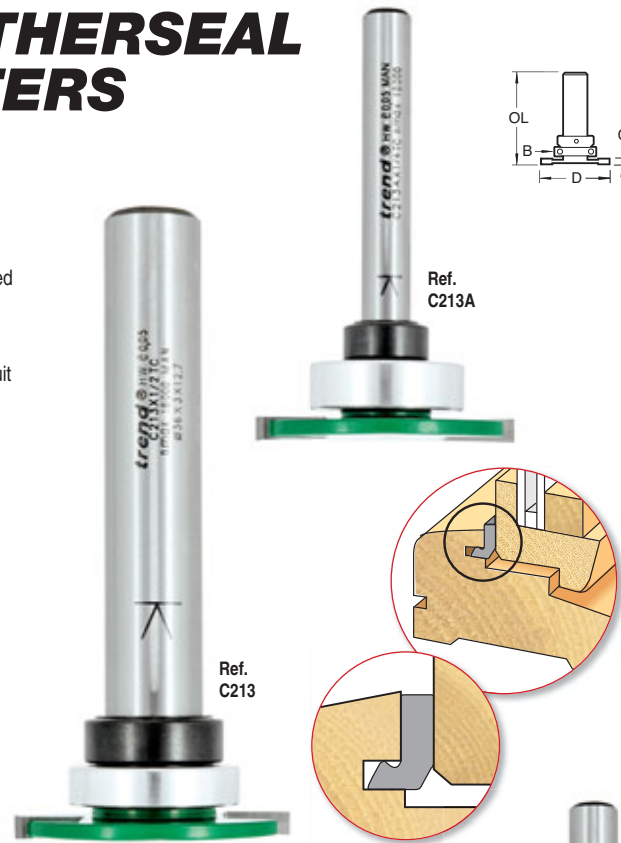
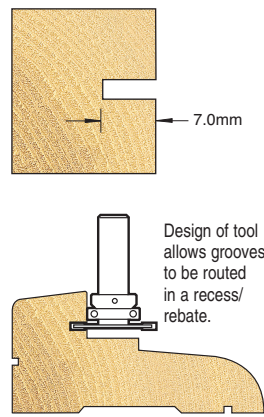


# TCT WEATHERSEAL CUTTERS

TUNGSTEN CARBIDE TIPPED

## SHANK MOUNTED BEARING GUIDED WEATHERSEAL RECESSER

The weatherseal recessers are designed to create a 7mm deep groove near the bottom of a rebate in a door or window frame to accept barbed weatherseals. Four sizes of resector are offered to suit the most popular sizes of weatherseal.



**WITH 1/4" SHANKS**

C mm	D mm	B mm	OL mm	Product Ref.	Shank Dia. 1/4"
2.0	34.0	20.0	55.0	C210A	£42.73
2.5	34.0	20.0	55.0	C211A	£42.73
2.8	34.0	20.0	55.0	C212A	£42.73
3.0	34.0	20.0	55.0	C213A	£42.73

**ALTERNATIVE BEARINGS** for other groove depths

Groove Depth mm	Bearing Dia. mm	Product Ref.	Price
5.0	24.0	BB24	£10.85
6.0	22.0	BB22	£11.11
7.5	19.0	BB19	£11.06
8.0	18.0	BB18	£10.85

**WITH 1/2" SHANKS**

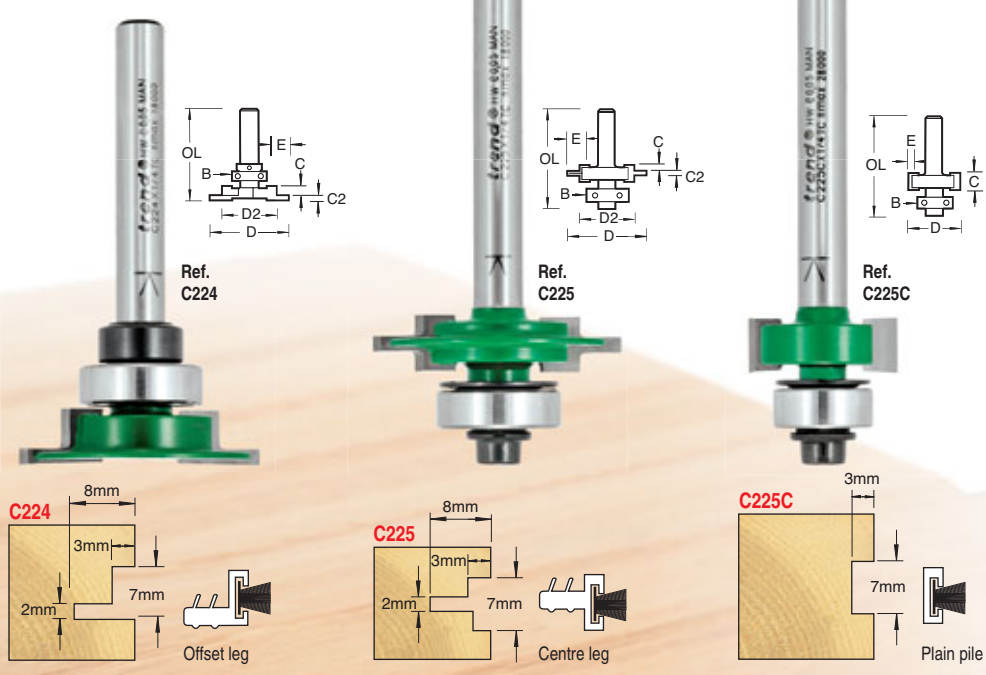
C mm	D mm	B mm	OL mm	Product Ref.	Shank Dia. 1/2"
2.0	36.0	22.0	80.0	C210	£43.81
2.5	36.0	22.0	80.0	C211	£43.81
2.8	36.0	22.0 <td 80.0	C212	£43.81	
3.0	36.0	22.0	80.0	C213	£43.81

**ALTERNATIVE BEARINGS** for other groove depths

Groove Depth mm	Bearing Dia. mm	Product Ref.	Price
4.0	28.0	B28C	£16.03
5.3	25.4	B254C	£14.96
6.0	24.0	B24C	£10.48
6.5	23.0	B23C	£10.48
8.5	19.0	B19C	£7.82

## BEARING GUIDED PILE CARRIER CUTTER

Create a groove for pile carriers using a smaller router where application allows. Two fluted for fine finish with three types to suit centre leg, offset or plain pile carrier. Ideal for grooving for parting bead.



## HAND MITRE SHEARS

For perfect snipping and mitre cuts of weatherseal, mouldings and beading. See page 198 for full details.

Product Ref.  
HM/SHEAR  
HM/SHEAR/A



**WITH 1/4" SHANKS**

C mm	C2 mm	D mm	D2 mm	E mm	B mm	OL mm	Product Ref.	Shank Dia. 1/4"
5.0	2.0	31.9	21.9	8.0	15.9	57	C224	£49.07
2.5	2.0	31.9	21.9	8.0	15.9	57	C225	£43.55
7.0	-	18.7	-	3.0	12.7	58	C225C	£35.66

