

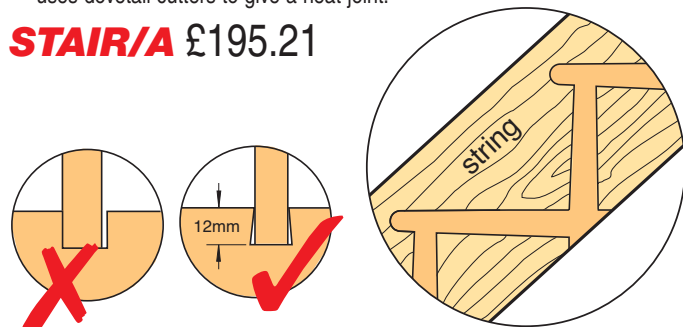
STAIRCASE HOUSING JIGS

These template jigs are a well proven means of routing out stair housings quickly and accurately.

CLOSED RISER

- For use with all heavy duty routers with 1/2" shank capacity and over 1600 watts.
- Constructed from solid laminate.
- Reversible and adjustable angle fence for the exact matching of stair strings.
- Integral reversible and adjustable front clamp.
- Closed riser jig has adjustable nosing and uses dovetail cutters to give a neat joint.

STAIR/A £195.21



INCLUDES:

- 1 x Sub-base
- 1 x Adjustable reversible clamp
- 1 x Reversible clamp bar
- 1 x Nosepiece
- 1 x Line-up pin & bush
- 2 x Spanners



OPTIONAL ACCESSORIES:

Product Ref.	Tread Thickness	Cutter Dia.	Price	Product Ref.	Tread Thickness	Cutter Dia.	Price
1. Recommended Professional dovetail cutters				2. Recommended CraftPro dovetail cutters			
32/10X1/2TC	22mm (7/8")*	14mm	£57.67	C240X1/2TC	22mm (7/8")*	13.5mm	£33.09
32/11X1/2TC	25.4mm (1")	16mm	£57.67	C241X1/2TC	25.4mm (1")	16mm	£34.39
32/12X1/2TC	28.5mm (1-1/8")	19mm	£59.81	C242X1/2TC	28.5mm (1-1/8")	19mm	£35.73
32/13X1/2TC	32mm (1-1/4")	22mm	£59.81	C243X1/2TC	32mm (1-1/4")	22mm	£37.05

* 7/8" tread will have a slight gap under nosing.

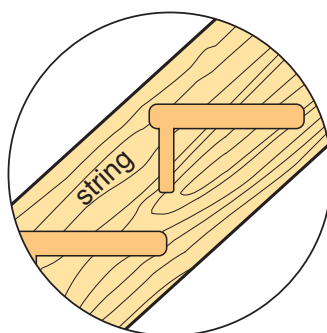
3. Carry case **CASE/DG** £34.10



OPEN RISER

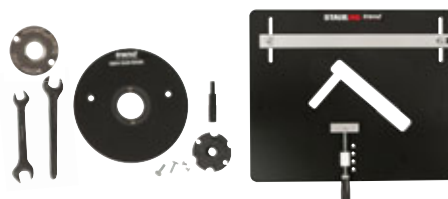
- For use with all heavy duty routers with 1/2" shank capacity and over 1600 watts.
- Constructed from solid laminate.
- Reversible and adjustable angle fence for the exact matching of stair strings.
- Integral reversible and adjustable front clamp.

STAIR/B £195.21



INCLUDES:

- 1 x Adjustable reversible clamp
- 1 x Reversible clamp bar
- 1 x Sub-base
- 1 x 24mm guide bush
- 1 x Line-up pin
- 2 x Spanners
- 1 x Line up guide bush



OPTIONAL ACCESSORIES

Product Ref.	Tread Thickness	Dia.	Price
1. Recommended Professional straight cutter			
4/21X1/2TC	32mm (1-1/4")	15.9mm	£48.04
2. Recommended CraftPro Straight cutter			
C025CX1/2TC	32mm (1-1/4")	15.9mm	£27.79
3. Carry case			
CASE/DG			£34.10

