

STAIR JIG



trend[®]
routing technology

Dear Customer

Thank you for purchasing this Trend product, we hope you enjoy many years of creative and productive use.

Please remember to return your guarantee card within 28 days of purchase.

CONTENTS

TECHNICAL DATA	1
SAFETY PRECAUTIONS	2-3
ITEMS ENCLOSED	4
ASSEMBLY	5
DESCRIPTION OF PARTS	5
PARTS OF STAIRCASE	6 - 7
OPERATION	
STAIR/A	8
- Cutters for use with Stair/A	8
- Setting up String without Newels	8
- Setting up the Router	8
- Setting up Template on the String	9
- Cutting the String	10
- Cutting the opposing String	10
- Assembly of Treads and Risers	10
OPERATION	
STAIR/B	11
- Basic Information before setting up	11
- Fitting the Sub-base to the Router	11
- Setting out the String	11
- Fitting the Template	11
- Cutting the String	11
- Cutting the opposing String	11
MAINTENANCE	12
ENVIRONMENTAL PROTECTION	12
GUARANTEE	12
SPARE PARTS	
- Spare Parts List - STAIR/A	13
- STAIR/B	14
- Spare Diagram - STAIR/A	15
- STAIR/B	16

TECHNICAL DATA

STAIR/A	Closed Riser
Tread thickness	22mm - 32mm
Slider diameter	30mm
Nosing adjustment	16mm - 19mm
Weight	6.17kg

STAIR/B	Open Riser
Tread thickness	32mm
Riser thickness	16mm
Guide bush diameter	24mm
Weight	6.3kg

The following symbols are used throughout this manual:



Denotes risk of personal injury, loss of life or damage to the tool in case of non-observance of the instructions in this manual.



Refer to the instruction manual of your power tool.

This unit must not be put into service until it has been established that the power tool to be connected to this unit is in compliance with 2006/42/EC (identified by the CE marking on the power tool).

INTENDED USE

The jig is intended to be used to rout stair trenches in wood using a 1/2" shank portable plunger router with a suitable router cutter fitted.



If you require further safety advice, technical information or spare parts, please call our technical support department or visit www.trend-uk.com

SAFETY

WARNING:



Observe the safety regulations in the instruction manual of the power tool to be used. Please read the following instructions carefully. Failure to do so could lead to serious injury. When using electric tools, basic safety precautions, including the following should always be followed to reduce the risk of fire, electric shock and personal injury. Also observe any applicable additional safety rules. Read the following safety instructions before attempting to operate this product.

PLEASE KEEP THESE INSTRUCTIONS IN A SAFE PLACE.

The attention of UK users is drawn to The Provision and Use of Work Equipment Regulations 1998, and any subsequent amendments.

Users should also read the HSE/HSC Safe Use of Woodworking Machinery Approved Code of Practice and Guidance Document and any amendments.

Users must be competent with woodworking equipment before using our products.

IMPORTANT NOTE:

Residual Risk. Although the safety instructions and operating manuals for our tools contain extensive instructions on safe working with power tools, every power tool involves a certain residual risk which cannot be completely excluded by safety mechanisms. Power tools must therefore always be operated with caution!

General

1. Disconnect power tool and attachment from power supply when not in use, before servicing, when making adjustments and when changing accessories such as cutters. Ensure switch is in "off" position. Always ensure cutter has stopped rotating.
2. Always mount the power tool, accessory or attachment in conformity with the instructions. Only use attachment and accessories specified in the power tool manual. The tool or attachment should not be modified or used for any application other than that for which it was designed. Do not force tool.
3. Keep children and visitors away. Do not let children or visitors touch the tool, accessory or attachment. Keep children and visitors away from work area. Make the workshop child proof with padlock and master switch.
4. Dress properly. Do not wear loose clothing or jewellery, they can be caught in moving parts. Rubber gloves and non-skid footwear is recommended when working

outdoors. Wear protective hair covering to contain long hair.

5. Consider working environment. Do not use the product in the rain or in a damp environment. Keep work area well lit. Do not use power tools near gasoline or flammable liquids. Keep workshop at a comfortable temperature so your hands are not cold. Connect machines that are used in the open via a residual current device (RCD) with an actuation current of 30 mA maximum. Use only extension cables that are approved for outdoor use.
6. The accessory or attachment must be kept level and stable at all times.
7. Keep work area clean. Cluttered workshops and benches can cause injuries. Ensure there is sufficient room to work safely.
8. Secure idle tools. When not in use, tools should be stored in a dry and high or locked up place, out of reach of children.
9. For best control and safety use both hands on the power tool and attachment. Keep both hands away from cutting area. Always wait for the spindle and cutter to stop rotating before making any adjustments.
10. Always keep guards in place and in good working order.
11. Remove any nails, staples and other metal parts from the workpiece.
12. Maintain tools and cutters with care. Keep cutters sharp and clean for better and safer performance. Do not use damaged cutters. Follow instructions for lubricating and changing accessories. Keep handles dry, clean and free from oil and grease.
13. Maintain accessories. Do not use damaged accessories. Only use accessories recommended by the manufacturer.
14. Check damaged parts. Before operation inspect the attachment, the power tool, the cable, extension cable and the plug carefully for signs of damage. Check for alignment of moving parts, binding, breakage, mounting and any other conditions that may effect its operation. Have any damage repaired by an Authorised Service Agent before using the tool or accessory. Protect tools from impact and shock.
15. Do not use tool if switch does not turn it on or off. Have defective switches replaced by an Authorised Service Agent
16. Don't over reach. Keep proper footing and balance at all times. Do not use

awkward or uncomfortable hand positions.

17. Don't abuse the cable. Never carry power tool or accessory by cord or pull it to disconnect from the socket. Keep cord from heat, oil and sharp edges. Always trail the power cord away from the work area.
18. Connect dust extraction equipment. If devices are provided for the connection of dust extraction and collection facilities, ensure these are connected and properly used.
19. Check all fixing and fastening nuts, bolts and screws on power tool, attachment and cutting tools before use to ensure they are tight and secure. Periodically check when machining over long periods.
20. Stay alert. Watch what you are doing. Use common sense. Do not operate tools when you are tired, under the influence of drugs or alcohol.
21. Personal Protective Equipment (PPE) for eye, ear and respiratory protection must be worn. All PPE must meet current UK and EU legislation.
22. Do not leave tools running unattended. Do not leave tool until it comes to a complete stop.
23. Always clamp workpiece being machined securely.
24. Only use cutting tools for woodworking that meet EN847-1/2 safety standards, and any subsequent amendments.
25. Vibration levels. Hand held power tools produce different vibration levels. You should always refer to the specifications and relevant Health & Safety Guide.

Routing Safety

1. Read and understand instructions supplied with power tool, attachment and cutter.
2. Keep hands, hair and clothing clear of the cutter.
3. Remove adjusting keys and spanners. Check to see that keys and adjusting spanners are removed from the router tool, cutter and attachment before turning router on. Make sure cutter can rotate freely.
4. Noise. Take appropriate measures for the protection of hearing if the sound pressure of 85dB(A) is exceeded. Routing sound pressure may exceed 85dB(A), so ear protection must be worn.
5. Eye protection. Always wear eye protection in the form of safety goggles, spectacles or visors to protect the eyes.

6. Respiratory protection. Wear a face or dust mask, or powered respirator. Dust masks/filters should be changed regularly.
7. Do not switch router on with the cutter touching the workpiece. At the end of the cut, release the router plunge and allow spindle to stop rotating. Never use the spindle lock as a brake.
8. The direction of routing must always be opposite to the cutter's direction of rotation. Do not back-cut or climb-cut.
9. Check before cutting that there are no obstructions in the path of the router. Ensure there are no obstacles beneath workpiece when cutting full thickness, and that a sacrificial work surface is used.

Router Cutter Safety

1. Cutting tools are sharp. Care should be taken when handling them. Do not drop cutters or knock them against hard objects. Handle very small diameter cutters with extra care. Always return cutter to its packaging after use.
2. Always use cutters with a shank diameter corresponding to the size of the collet installed in your tool.
3. The maximum speed (n.max) marked on the tool, or in instructions or on packaging shall not be exceeded. Where stated the speed range shall be adhered to. Recommended speeds are shown in the Trend Routing Always use router cutters in a router. Drill and boring bits must not be used in a router. Router cutters must only be used for the material cutting application for which they are designed. Do not use on metal or masonry.
5. Never use cutters with a diameter exceeding the maximum diameter indicated in the technical data of the power tool or attachment used.
6. Before each use check that the cutting tool is sharp and free from damage. Do not use the cutting tool if it is dull, broken or cracked or if in any other damage is noticeable or suspected.
7. Cutters should be kept clean. Resin build up should be removed at regular intervals with Resin Cleaner. The use of a PTFE dry lubricant will reduce resin build up. Do not use PTFE spray on plastic parts.
8. When using stacked tooling (multi-blade, block and groove etc.) on a spindle arbor, ensure that the cutting edges are staggered to each other to reduce the cutting impact.
9. Cutter shanks should be inserted into the collet all the way to the line indicated on the shank. This ensures

that at least 3/4 of the shank length is held in the collet. Ensure clamping surfaces are cleaned to remove dirt, grease, oil and water.

10. Observe the correct assembly and fitting instructions in the router instruction manual for fitting the collet, nut and cutter.
11. Tool and tool bodies shall be clamped in such a way that they will not become loose during operation. Care shall be taken when mounting cutting tools to ensure that the clamping is by the shank of the cutting tool and that the cutting edges are not in contact with each other or with the clamping elements.
12. It is advisable to periodically check the collet and collet nut. A damaged, worn or distorted collet and nut can cause vibration and shank damage. Do not over-tighten the collet nut.
13. Do not take deep cuts in one pass; take several shallow or light passes to reduce the side load applied to the cutter and router. Too deep a cut in one pass can stall the router.
14. In case of excessive vibrations whilst using the router stop immediately and have the eccentricity of the router, router cutter and clamping system checked by competent personnel.
15. All fastening screws and nuts should be tightened using the appropriate spanner or key and to the torque value provided by the manufacturer.
16. Extension of the spanner or tightening using hammer blows shall not be permitted.
17. Clamping screws shall be tightened according to instructions provided by the manufacture. Where instructions are not provided, clamping screws shall be tightened in sequence from the centre outwards.

Using Routers In A Fixed Position

1. Attention should be made to the HSE's Safe Use of Vertical Spindle Moulding Machines Information Sheet No.18 and any revisions.
2. After work, release the router plunge to protect the cutter.
3. Always use a push-stick or push-block when making any cut less than 300mm in length or when feeding the last 300mm of the cut.
4. The opening around the cutter should be reduced to a minimum using suitably sized insert rings in the table and closing the back fence cheeks or fitting a false fence on the back fence.
5. Whenever possible use a work holding device or jig to secure component being machined. Ensure

any attachment is securely fitted to the workbench, with table surface at approximately hip height.

6. Use a No-Volt Release Switch. Ensure it is fixed securely, easily accessible and used correctly.
7. In router table (inverted) mode, stand to the front right of the table. The cutter will rotate anti-clockwise when viewed from top so the feed direction is from the right (against the rotation of the cutter). In overhead mode, stand to the front left of the machine table and the feed direction is from the left.
8. Do not reach underneath table or put your hands or fingers at any time in the cutting path while tool is connected to a power supply.
9. Never thickness timber between the back of the cutter and the backfence.

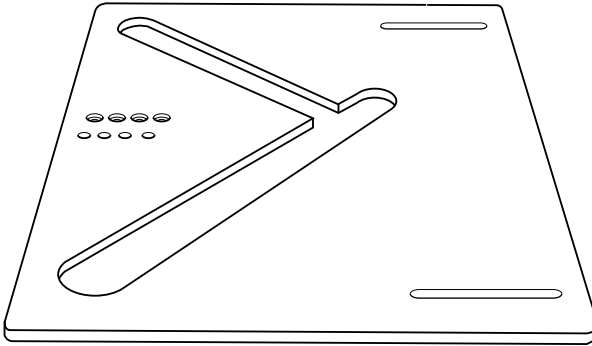
Useful Advice When Routing

1. Judge your feed rate by the sound of the motor. Feed the router at a constant feed rate. Too slow a feed rate will result in burning.
2. Trial cuts should be made on waste material before starting any project.
3. When using some attachments e.g. a router table or dovetail jig, a fine height adjuster is recommended.
4. When using a template guide bush, ensure there is sufficient clearance between cutter tip and inside edge of bush and that it cannot come into contact with collet and nut. Ensure cutter and guide bush are concentric.

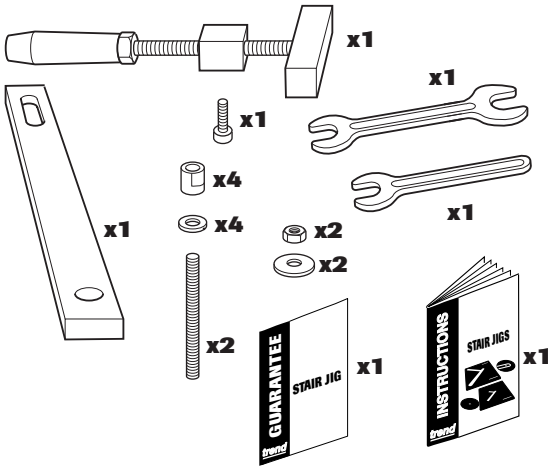
Router Cutter Repair/Maintenance

1. Repair of tools is only allowed in accordance with the manufacturers instructions.
2. The design of composite (tipped) tools shall not be changed in process of repair. Composite tools shall be repaired by a competent person i.e. a person of training and experience, who has knowledge of the design requirements and understands the levels of safety to be achieved.
3. Repair shall therefore include, e.g. the use of spare parts which are in accordance with the specification of the original parts provided by the manufacturer.
4. Tolerances which ensure correct clamping shall be maintained.
5. Care shall be taken that regrinding of the cutting edge will not cause weakening of the body and the connection of the cutting edge to the body.

ITEMS ENCLOSED



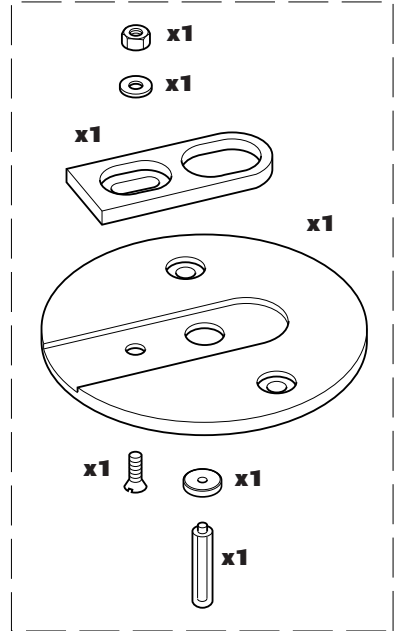
x1



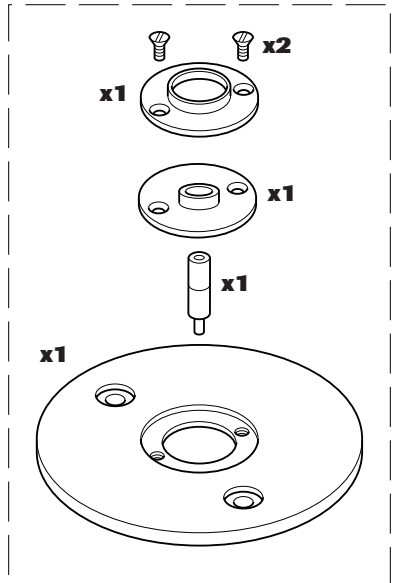
ITEMS REQUIRED

- 1/2" plunge router with suitable collet fitted.
- Stair housing cutter of suitable size.
- Hand Tools.
- User made spacer blocks.
- Suitable workbench.

For STAIR/A only

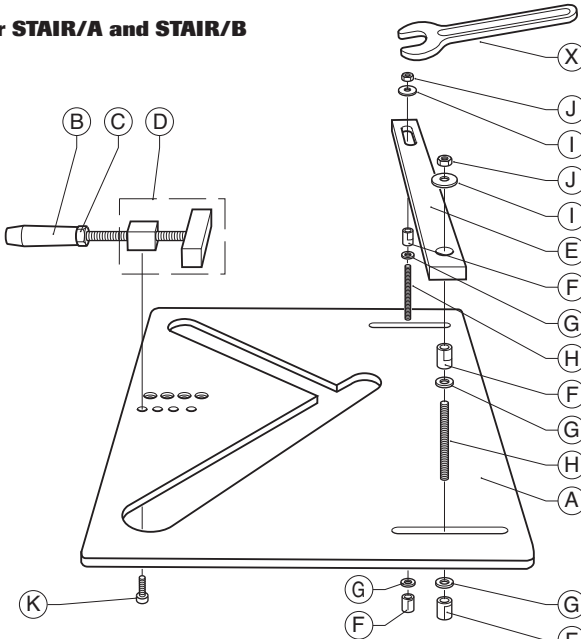


For STAIR/B only



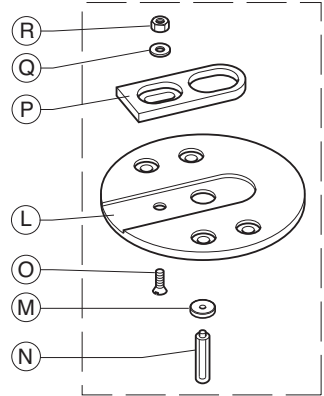
ASSEMBLY & DESCRIPTION OF PARTS

For STAIR/A and STAIR/B

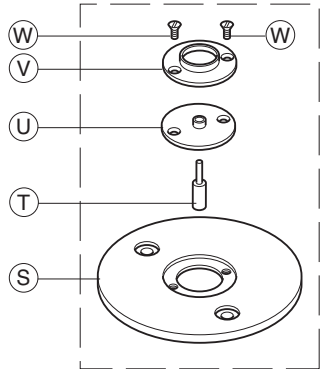


- A. Main board (STAIR/A or STAIR/B)
- B. Handle for clamp
- C. Hex nut for clamp
- D. Clamp assembly
- E. Aluminium clamp bar
- F. Barrel nut for clamp bar
- G. Washer for clamp bar
- H. Stud for clamp bar
- I. Washer for clamp bar
- J. Nut for clamp bar
- K. Machine screw for clamp bar
- L. Sub-base for STAIR/A
- M. Line-up bush for STAIR/A
- N. Line-up pin 1/2" shank for STAIR/A
- O. Sub-base fixing screw
- P. Sub-base slider for STAIR/A
- Q. Washer M6 for STAIR/A slider
- R. Hex nut M6 for STAIR/A slider
- S. Sub-base for STAIR/B
- T. Line pin 1/2" shank for STAIR/B
- U. Line up bush 16mm dia. for STAIR/B
- V. Guide bush 24mm dia. for STAIR/B
- W. Guide bush fixing screw for STAIR/B
- X. Spanner 13mm
- Y. Spanner 10mm/13mm

STAIR/A



STAIR/B



PARTS OF A STAIRCASE

Going

The going of a step is measured on plan between the nosing of its tread and the nosing of the step above or landing above or, as the British Standard says, face of riser to face of riser.

The going should not be less than 220mm for a private stairway and not less than 240mm for a common stairway.

Rise

Measured from the top of the tread to top of the tread. Every step or landing must be of equal rise between consecutive floors. The rise of a step must not be more than 220mm for a private stairway and not more than 190mm for a common stairway. Approved Document K Part 1.14 says the number of risers in a flight should be limited to 16 if a stairway serves an area used for shop or assembly purposes. Part 1.15 says that stairways of more than 36 risers in consecutive flights should make at least one change of direction of at least 30° between flights.

Nosings

The nosings on treads usually project 19mm (or thickness of the tread) from the face of the riser below and should, in any case, project not less than 16mm. The profile should be rounded.

Pitch

The angle between the pitch line and the horizontal should not exceed 42° for a private stairway and 38° for a common stairway. The pitch should not be less than 25° because a stairway built at a shallow angle takes up much more room and is more tiring to ascend.

Pitch-line

The line drawn from the floor or landing treads in a flight of stairs.

Height of Handrails

Approved Document K states that flights should have a handrail on at least one side if they are less than 1m wide and on both sides if they are wider than 1m.

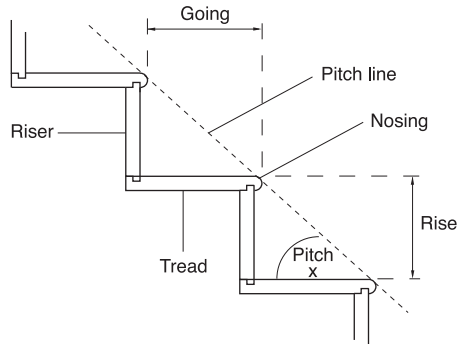
There is no need for handrails beside the bottom two steps of a stairway. Handrails should

be between 840mm and 1000mm high and give firm support.

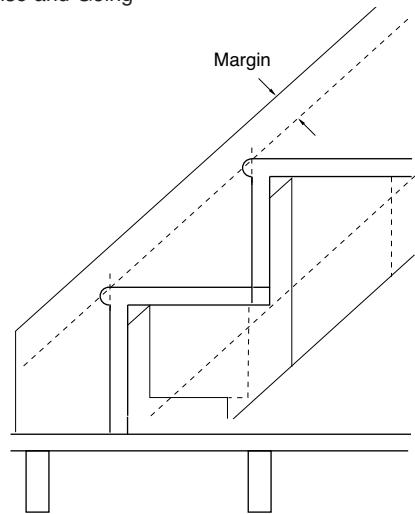
It is a Building Regulation requirement that no openings in any balustrades should allow the passage of a sphere of 100mm in diameter, that is, about the size of a child's head. The underside of a handrail should be grooved to receive the balustrade.

Margin

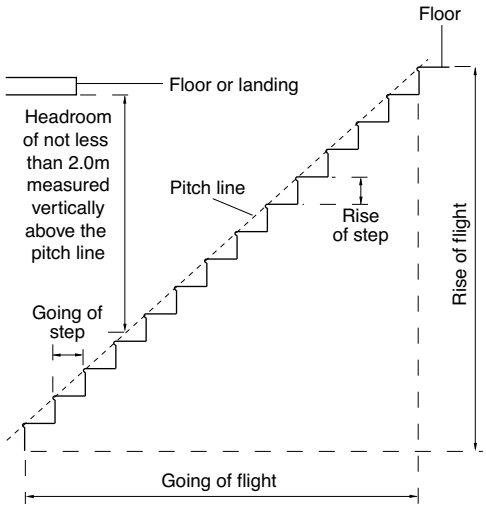
Normally 42mm when using a normal rise and going.



Rise and Going



Margin



Restrictions on flights

Design

The number of steps is governed by the floor to floor height which is usually fixed, and the flight going space available. Alterations may present difficulties but in new buildings the flight going space is usually flexible.

Example:

You may want a straight flight stairway. Floor to floor is 2.7m (2700mm) and going space is unrestricted. (A rise of between 170mm and 200mm, would normally be satisfactory). Assume rises of 175mm.

Number of risers = $2700/175 = 15.43$.

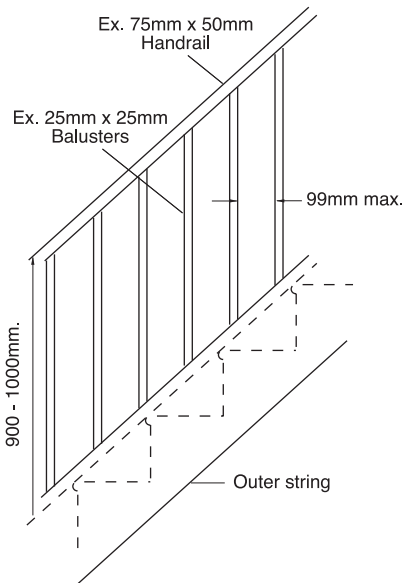
Since a whole number is needed, try 15.

The actual rise (R) of each step will be $2700/15 = 180\text{mm}$.

If going (G) of each step is 250mm, then $2R + G = 610\text{mm}$.

Since it is between 575mm and 630mm it meets both the Building Regulation requirements and BS 585.

Further information governing the design of stairs can be found in Approved Document K of the Building Regulations 1985 and BS 585: 1989 Wood Stairs.



Balustrades and Handrails



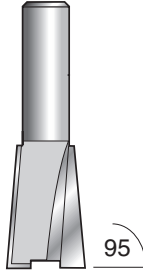
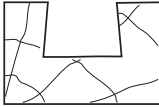
Always refer to the latest copy of the Building Regulations for all specifications.

OPERATION



**STAIR/A -
CLOSED RISER**

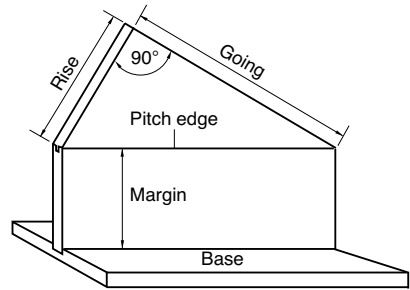
Cutters for use with Stair A



Recommended TCT Cutters to obtain best results as below.

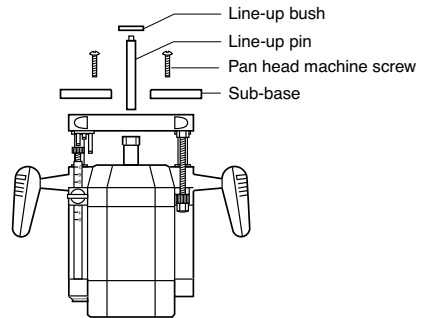
Tread Thickness	Professional Order Ref.	Craft Pro Order Ref.
For 22mm (7/8")	32/10X1/2TC	C240X1/2TC
For 25.4mm (1")	32/11X1/2TC	C241X1/2TC
For 28.1mm (1-1/8")	32/12X1/2TC	C242X1/2TC
For 32mm (1-1/4")	32/13X1/2TC	C243X1/2TC

and tighten collet nut. Place the line-up bush over the end of the line-up pin with router still inverted, plunge the router base down until the line-up bush and pin appears through the central aperture in the router base. Then lock the plunge. Position the sub-base so that the line-up bush fits into the central aperture of the sub-base and tighten the fixing screws to secure sub-base to router base. Carefully release the plunge and remove line-up pin and bush.



Setting up the String without Newels

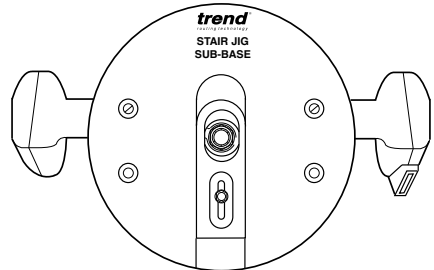
Machine strings to the required thickness and width. (Do not cut its length). Keep both strings with good faces upper most. Remembering that a wall string will only be seen on one side. If there is a bow in its length, then put this side upper most. Gauge the bottom edge of the string. A margin of 42mm, when using a normal rise and going will leave a reasonable space between the nosing and the edge of the string. Mark the floor line, and using a beam compass or a pair of large dividers (setting it to the pitch size), step off the required number of treads and risers. The last one will be the top nosing. Square these lines over onto the other string. if a newel is required, it is easier to set this out using the square, bearing in mind the face of the riser will be the centre of the newel. Setting out can be eased by the construction of a margin and pitch board made from plywood or hardboard.



Setting up the Router



To line-up the Stair Jig sub-base onto the router hold the router inverted. Insert the 1/2" shank of the line-up pin into the 1/2" collet in the router,



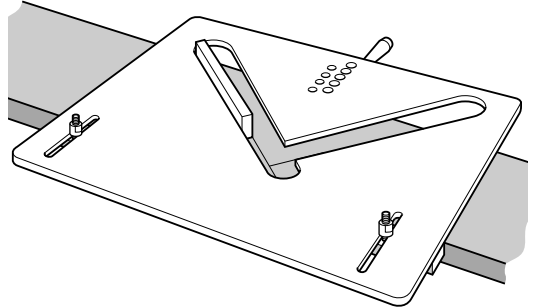
Isolate machine from power supply before making any adjustments.

Setting the Template on the String

The template is placed face down on the string, clamp bar side downwards and on the marked out string. The clamp bar is fully adjustable, this is carried out by loosening the barrel nuts (using the two 13mm A/F spanners) on the upper most side, and moving the bar.



It is important that the correct spacing between the cutter and the edge of the template must not be overlooked. For this purpose spacer blocks need to be made to be used with the cutters recommended. The size of the blocks are for a nominal depth of cut of 12mm.



Craft Pro Cutter Ref.	Professional Cutter Ref.	Tread thickness	Spacer block size
C240X1/2TC	32/10X1/2TC	22mm (7/8")	8.6mm
C241X1/2TC	32/11X1/2TC	25.4mm (1")	7.5mm
C242X1/2TC	32/12X1/2TC	28mm (1-1/8")	6.2mm
C243X1/2TC	32/13X1/2TC	32mm (1-1/4")	4.6mm

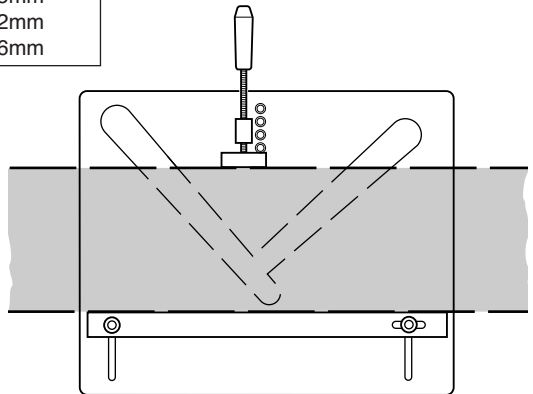
This top right illustration shows the spacer block being used to obtain the correct position for the jig.

Once the jig is set in the correct position, tighten the clamp bar nuts. Then tighten the handle, but do not over-tighten. Adjust the slider piece on the base of the router to suit requirement and tighten nut using the 10mm A/F spanner.



The closer the slider is to the cutter the larger the nosing becomes.

Insert the appropriate cutter into the router. Set the router to cut the depth of 12mm below the template. This can be achieved by plunging the router onto the workpiece through the template and setting the router's depth control system to cut 12mm. The cut for the housings is carried out in one pass.



Ensure working position is comfortable and at a suitable height, and that the stair string is clamped securely.



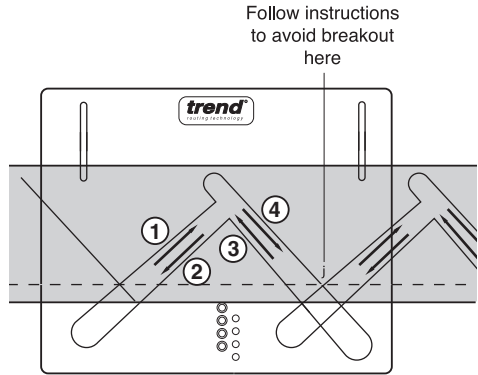
Ensure front clamp is tight and secure, and periodically check clamp bar nuts are tight.

Cutting the String 

It is important to cut the risers first to avoid breakout on the short grain of the string.

The router will need to be moved backwards and forwards along the template so as to let the wood shavings free themselves from the housing, also the middle section of the housing will need to be cut away before moving onto the next housing. Cut in the sequence as shown in the diagram.

After cutting the housing, move the template up the string and using the spacers set up again. The clamp bar will not need to be adjusted. After cutting the first string, transferring to the other string is easily carried out by removing the clamp bar and placing it on the opposite side of the jig. The clamp assembly is also moved over to the opposite side.



Cutting the Opposing String 

It will be noticed that the bolts holding the bar clamp bar protrude through both sides of the jig. This is to enable the fence to be fitted to the other side of the jig without the inconvenience of re-setting when machining the opposite string. Remove clamp bar by removing the hexagon nuts only. Replace and tighten hexagon nuts. Remove clamp fixing screw and replace clamp assembly on other side of jig, using alternative set of counterbored holes. After use remove sub-base from router. The jig does not require disassembly.

Assembly of Treads and Risers

Treads and risers are cut to length and fitted together using glued angle blocks. These can now be fitted into the strings separately and remember the width of each tread must be accurately marked at each end and surplus wood planed off.

The stairs can now be assembled, strutting off the roof or from bench cramps. Ensure the assembly is square and 'out of twist'. Check all treads are really tight, and only then wedge up and screw through the risers into the tread. Wedge the riser first, then follow with the tread wedging. Wedges should be well glued and driven in hard.



Start cutting the riser first to minimize breakout. Care must be taken on short grain to minimize breakout.



When using a 22mm (7/8") tread, there will be a small gap on the underside of the nosing.



The trench cut into the string will have an undercut due to the dovetail shape of the cutters used. The tread will also be a tight fit on the nosing, so ensuring a neat joint is made.



Regularly remove wood shavings from the housing.

STAIR/B - OPEN RISER

The Routing Jig for Open Staircases differs from the one designed for closed staircases.

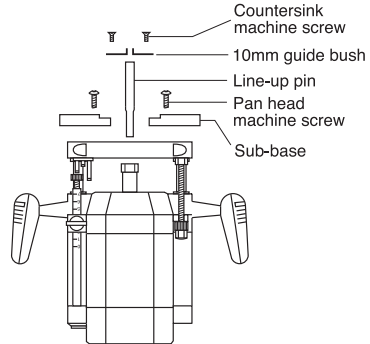
Basic Information before Setting-up

- Maximum fixed length of tread is 260mm.
- Maximum thickness of timber used for tread is 32mm.
- Thickness of timber used for stub riser is 16mm.
- Maximum gap on stub riser to tread should not exceed 100mm.
- Fixed depth of nosing is 17mm.
- Radius on nosing is 8mm.
- Radius on stub riser is 8mm.
- A 'block stop' can be made for fitting into aperture in the jig to vary the depth of stub riser.
- The guide bush supplied has a 24mm OD and a 22mm ID. For a 32mm tread, the cutter recommended is Ref. 4/21X1/2TC. This has a cutting diameter of 16mm, and cutting length of 37mm. The jig design will automatically allow for the thickness of tread and stub riser used in both instances.

Fitting the Sub-base to the Router



1. Fit the 10mm OD template guide bush to the sub-base using the two countersunk screws.
2. Insert line-up pin with the 1/2" end into the collet of the router and lightly tighten it.
3. With the router inverted, compress router base until line-up pin projects approx. 19mm (3/4") out, and lock the base in that position.
4. Slide the sub-base onto the end of the pin and screw up lightly the two fixing screws.
5. Ensure the pin rotates freely and tighten the pan head machine screws to secure the sub-base to the router base.
6. The sub-base is now centralised and the 24mm guide bush can now be fitted using the two countersunk machine screws.
7. Remove the line-up pin and keep safely for future use.



Setting out the String

Machine strings to the required thickness and width. Keep upper most the good faces, mark the margin, the rise and the going as on a closed string staircase, remembering that the distance between the top of the tread and the bottom of the stub riser must not exceed 100mm, and that the treads should overlap each other by 15mm. (See approved document K1).

Fitting the Template

The template is fitted in the same manner as Ref. STAIR/A template, except that the spacer block needs to be 4mm.

Cutting the String



Machine the stub riser first and then the tread.



Extreme care must be taken because you cannot have any break out. When the first stair housing has been routed out, loosen the clamp and slide the jig to the next mark and then repeat the operation.

Cutting the Opposing String

The jig is turned in the same manner as Ref. STAIR/A.

After use, remove sub base from router using a screwdriver. The jig does not require disassembly.

Please store jig carefully.

ACCESSORIES

Please use only Trend original accessories.

Ref. 32/10 or C240 for 22mm (7/8") tread.

Ref. 32/11 or C241 for 25.4mm (1") tread.

Ref. 32/12 or C242 for 28.5mm (1-1/8") tread.

Ref. 32/13 or C243 for 32mm (1-1/4") tread.

MAINTENANCE

Please use only Trend original spare parts and accessories.

The jig has been designed to operate over a long period of time with a minimum amount of maintenance. Continuous satisfactory operation depends upon proper tool care and regular cleaning.

Cleaning

- Regularly clean the jig and remove resin build up on all threads.

Lubrication

- Your jig requires no additional lubrication.

Storage

- After use store jig in its packaging or if can be hung on a wall hook.

ENVIRONMENTAL PROTECTION

Recycle raw materials instead of disposing as waste.

Packaging should be sorted for environmental-friendly recycling.

The product and its accessories at the end of their life should be sorted for environmental friendly recycling.

GUARANTEE

The jig carries a manufacturers guarantee in accordance with the conditions on the enclosed guarantee card.

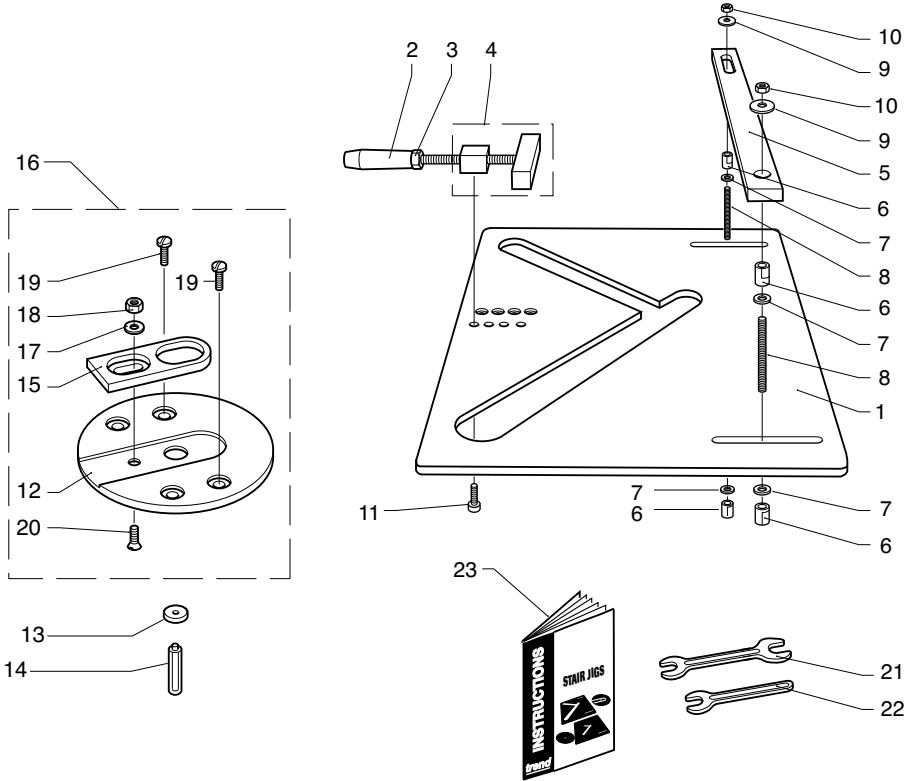
STAIR/A - SPARE PARTS LIST			V4.0 01/2006
No.	Qty.	Desc.	Ref.
1	1	Main Board for STAIR/A	WP-SJA/01
2	1	Handle for Clamp Plastic M12	WP-SJ/02
3	1	Nut Hex M12	WP-NUT/12
4	1	Clamp Assembly	WP-SJ/04
5	1	Aluminium Clamp Bar	WP-SJ/05
6	4	Barrel Nut M8	WP-SJ/06
7	4	Washer 8.5mm x 15.8mm x 12.7mm	WP-WASH/15
8	2	Stud M8 x 75mm	WP-SJ/08
9	2	Washer 7.4mm x 24.6mm x 1.5mm	WP-WASH/17
10	2	Nut Hex M8	WP-NUT/08
11	1	Machine Screw Cheese M8 x 10mm Slot	WP-SCW/39
12	1	Sub-base STAIR/A	WP-SJA/12
13	1	Line-up Bush for STAIR/A	WP-SJA/13
14	1	Line-up Pin 1/2" for STAIR/A	WP-SJA/14
15	1	Sub-base Slider for STAIR/A	WP-SJA/15
16	0	Sub-base Complete with Slider	WP-SJA/16
17	1	Washer 6.6mm x 11.7mm x 1.5mm	WP-WASH/11
18	1	Hex Nut M6	WP-NUT/06
19	2	Machine Screw Pan M6 x 16mm Slot	WP-SCW/27
20	1	Machine Screw Csk M6 x 16mm Pozi	WP-SCW/26
21	1	Spanner 10mm/13mm A/F	SPAN/1013
22	1	Spanner 13mm A/F	SPAN/13
23	1	Manual	MANU/SJ

STAIR/B - SPARE PARTS LIST			V4.0 01/2006
No.	Qty.	Desc.	Ref.
1	1	Main Board for STAIR/B	WP-SJB/01
2	1	Handle for Clamp Plastic M12	WP-SJ/02
3	1	Nut Hex M12	WP-NUT/12
4	1	Clamp Assembly	WP-SJ/04
5	1	Aluminium Clamp Bar	WP-SJ/05
6	4	Nut Barrel M8	WP-SJ/06
7	4	Washer M8	WP-WASH/15
8	2	Stud M8 x 75mm	WP-SJ/08
9	2	Washer M8 x 25mm	WP-WASH/17
10	2	Nut Hex M8	WP-NUT/08
11	1	Machine Screw Cheese M8 x 10mm Slot	WP-SCW/39
12	1	Line up Bush 16mm Dia.	UNI/GB16
13	1	Guide Bush 24mm Dia	GB24
14	1	Line-up Pin 1/2"	UNI/PIN/1
15	2	Machine Screw Csk 2BA x 1/4" Slot	WP-SCW/01
16	0	Circular Sub-base Complete	GB/5
17	2	Machine Screw Pan M6 x 16mm Slot	WP-SCW/27
18	1	Spanner 10mm/13mm A/F	SPAN/1013
19	1	Spanner 13mm A/F	SPAN/13
20	1	Manual	MANU/SJ

STAIR/A - SPARE PARTS DIAGRAM

V4.0 01/2006

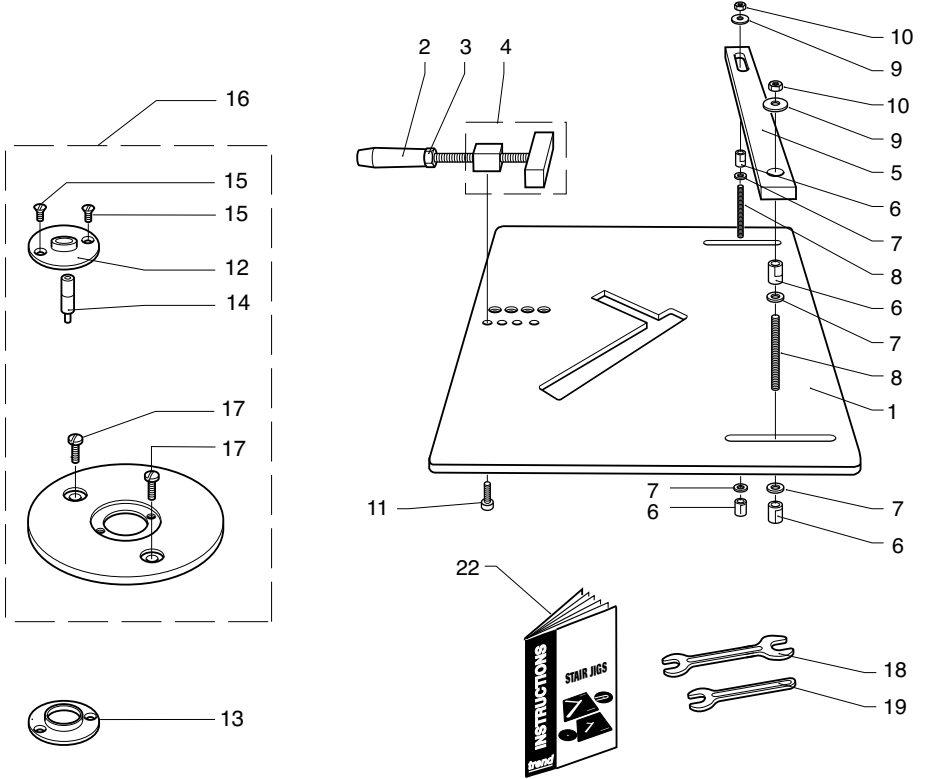
Please use only Trend original spare parts.



STAIR/B - SPARE PARTS DIAGRAM

V4.0 01/2006

Please use only Trend original spare parts.



MANU/ISJ v7.0



5 027654 319925 >



RECYCLABLE

Trend Machinery & Cutting Tools Ltd.

Odhams Trading Estate St Albans Road
Watford WD24 7TR England

Tel: 0044(0)1923 249911

technical@trendm.co.uk

www.trend-uk.com