

LOC BLOCKS

Pack of four gripping blocks that can interlock together to allow workpiece to be held in place when sanding, drilling and finishing.

- No need to use clamps. Set-up in seconds. Grips both workpiece and bench.
- Lifts workpiece from bench, to allow complete access to every edge.
- Can be used for routing, however extra care should be taken to prevent material tilt.
- Anti-vibration, non-slip, non-marring rubber pads on both top and bottom of the blocks.

LOC/BLK/PK1 (4 pack) £16.54

Size: 67 x 67 x 25mm (173 x 173mm when 4 blocks interlocked)



Interlocking
Use singly or interlock.



Painting
Perfect for avoiding drips and sticking.



Routing with bottom clearance.
Simply position blocks in corners.



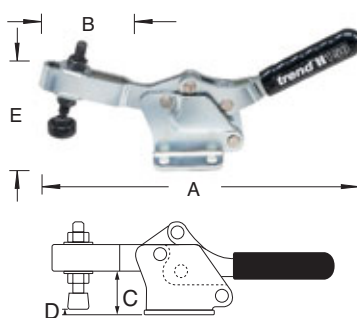
Sanding
Non-slip and no vibration.

TOGGLE CLAMPS

PROFESSIONAL

Ideal for securing workpiece either onto jigs or to the surface of the machine. 'E' is the threaded spindle length.

Description	Force kg	E mm	A mm	B mm	C mm	D mm	Product Ref.	Price
Small	75	30	105	36	19	4	H75	£16.67
Medium	150	50	160	53	24	8	H150	£20.90



CRAFTPRO & HOBBYIST

Economy range clamp, ideal for securing workpiece either onto jigs or to the surface of the machine (150kg force).

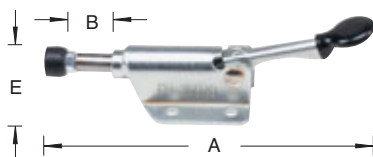
Description	Force kg	E mm	A mm	B mm	C mm	D mm	Product Ref.	Price
Medium (1 off)	150	50	160	53	23	3	CR/H150	£15.35
Medium (pair)	150	50	160	53	23	3	CR/H150/SET	£27.13



PUSH-PULL CLAMP

Ideal for securing workpiece against a back stop on a jig.

Force kg	E mm	A mm	B mm	Product Ref.	Price
150	23	126	11	PP150	£22.23



SELF-ADHESIVE BACKED NON-SLIP MAT

Ideal for gripping and holding component while woodworking and jig making. Can be used to refurbish pushblocks or lining the drawers of workshop tool chests etc. Can be cut to size to suit application.

NS/MAT/B £6.97
Size: 300 x 300mm



NON-SLIP MAT

Specifically formulated PVC gripping mat which holds work in place for woodworking applications without the need for clamps. Ideal for sanding and hand planing.

NS/MAT/A £11.92
Size: 1220 x 610mm

