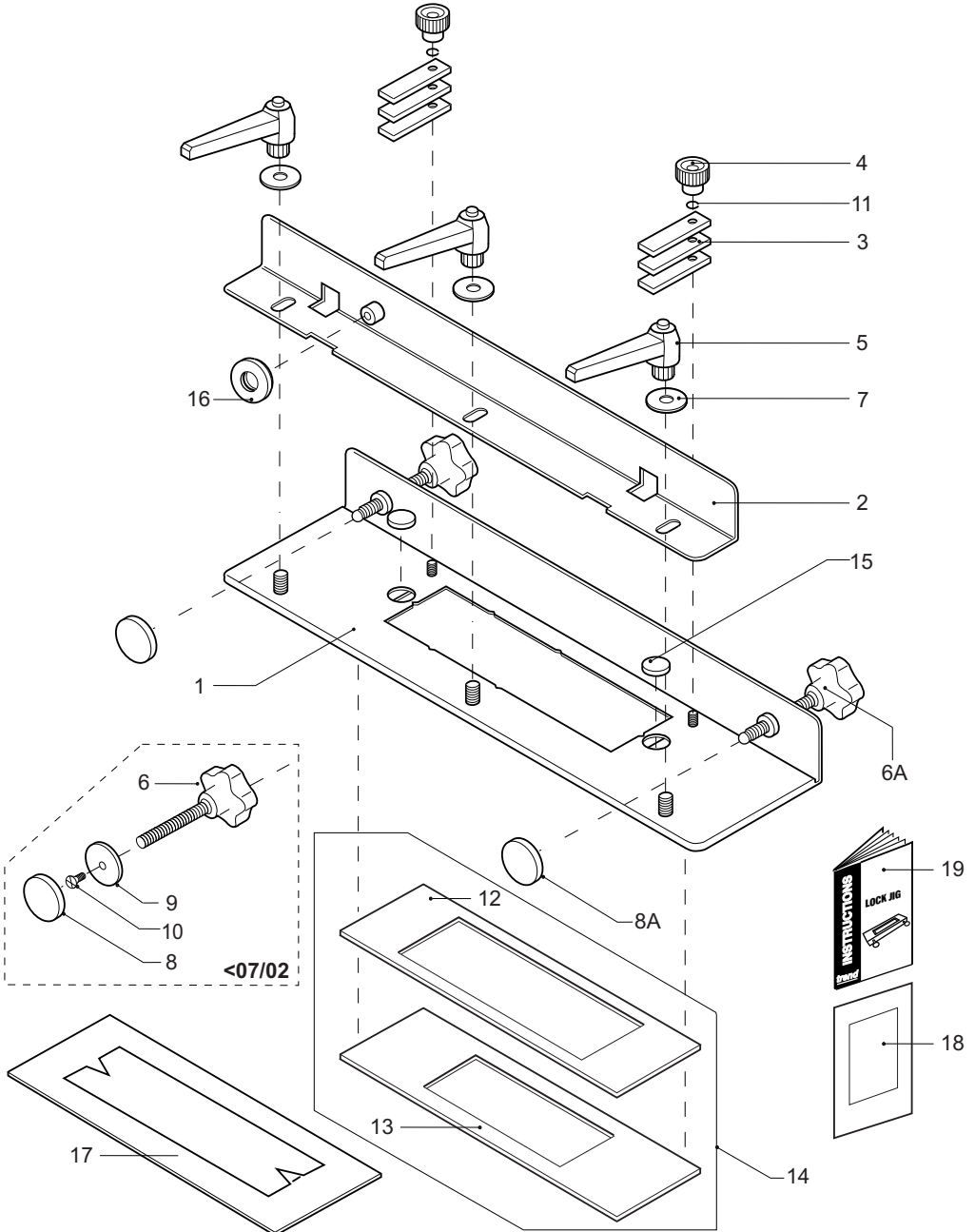


LOCK JIG - SPARE PARTS DIAGRAM

v4.0 07/2013 EB



LOCK JIG - SPARE PARTS LIST			v4.0 07/2013 EB
No.	Qty.	Desc.	Ref.
1	1	Lock Jig Body	WP-LOCK/01
2	1	Clamp Bar	WP-LOCK/02
3	6	Spacer Finger	WP-LOCK/03
4	2	Mini Knob 15mm Female M5 x 15mm	WP-LOCK/04
5	3	Adjustable Lever Female M8	WP-LOCK/05
6	2	Lobe Knob Male M10 x 40mm Tapped <07/02	WP-LOCK/06
6A	2	Lobe Knob Male M10 x 40mm Ball End >07/02	WP-LOCK/06A
7	3	Washer 8.5mm x 25mm x 1.5mm <07/02	WP-WASH/17
8	2	Plastic Cap 35mm Dia Black <07/02	WP-LOCK/08
8A	2	Plastic Cap Ball End >07/02	WP-LOCK/08A
9	2	Lobe Knob Foot <07/02	WP-LOCK/09
10	2	Machine Screw Csk M4 x 10mm Pozi <07/02	WP-SCW/69
11	2	Spring Washer M5	WP-WASH/29
12	1	Mortise Template A (34 x 97mm)	WP-LOCK/T/A
	1	Mortise Template B (34 x 132mm)	WP-LOCK/T/B
	1	Mortise Template C (37 x 104mm)	WP-LOCK/T/C
	1	Mortise Template D (37 x 134mm)	WP-LOCK/T/D
13	1	Face Plate Template 1 (40.4 x 174mm)	WP-LOCK/T/1
	1	Face Plate Template 2 (40.7 x 170.5mm)	WP-LOCK/T/2
	1	Face Plate Template 3 (43.6 x 139mm)	WP-LOCK/T/3
	1	Face Plate Template 4 (43.6 x 145mm)	WP-LOCK/T/4
	1	Face Plate Template 5 (43.6 x 151.5mm)	WP-LOCK/T/5
	1	Face Plate Template 6 (43.6 x 163mm)	WP-LOCK/T/6
	1	Face Plate Template 7 (43.6 x 171mm)	WP-LOCK/T/7
	1	Face Plate Template 8 (43.6 x 174mm)	WP-LOCK/T/8
	1	Face Plate Template 9 (43.6 x 183.5mm)	WP-LOCK/T/9
	1	Face Plate Template 10 (43.6 x 195mm)	WP-LOCK/T/10
	1	Face Plate Template 11 Latch	WP-LOCK/T/11
	1	Face Plate Template 12 (44.2 x 180mm)	WP-LOCK/T/12
14	1	Template Set (16pcs)	WP-LOCK/T/SET
15	1	Magnet 15mm x 3mm (4 Pack)	MAG/PACK/1
16	1	Guide Bush Collar 16mm to 30mm	GB/COLL/1630
17	1	Line up Template	WP-LOCK/T/LUP
18	1	Look-up Chart	LEAF/LC/LOCK
19	1	Manual	MANU/LOCK