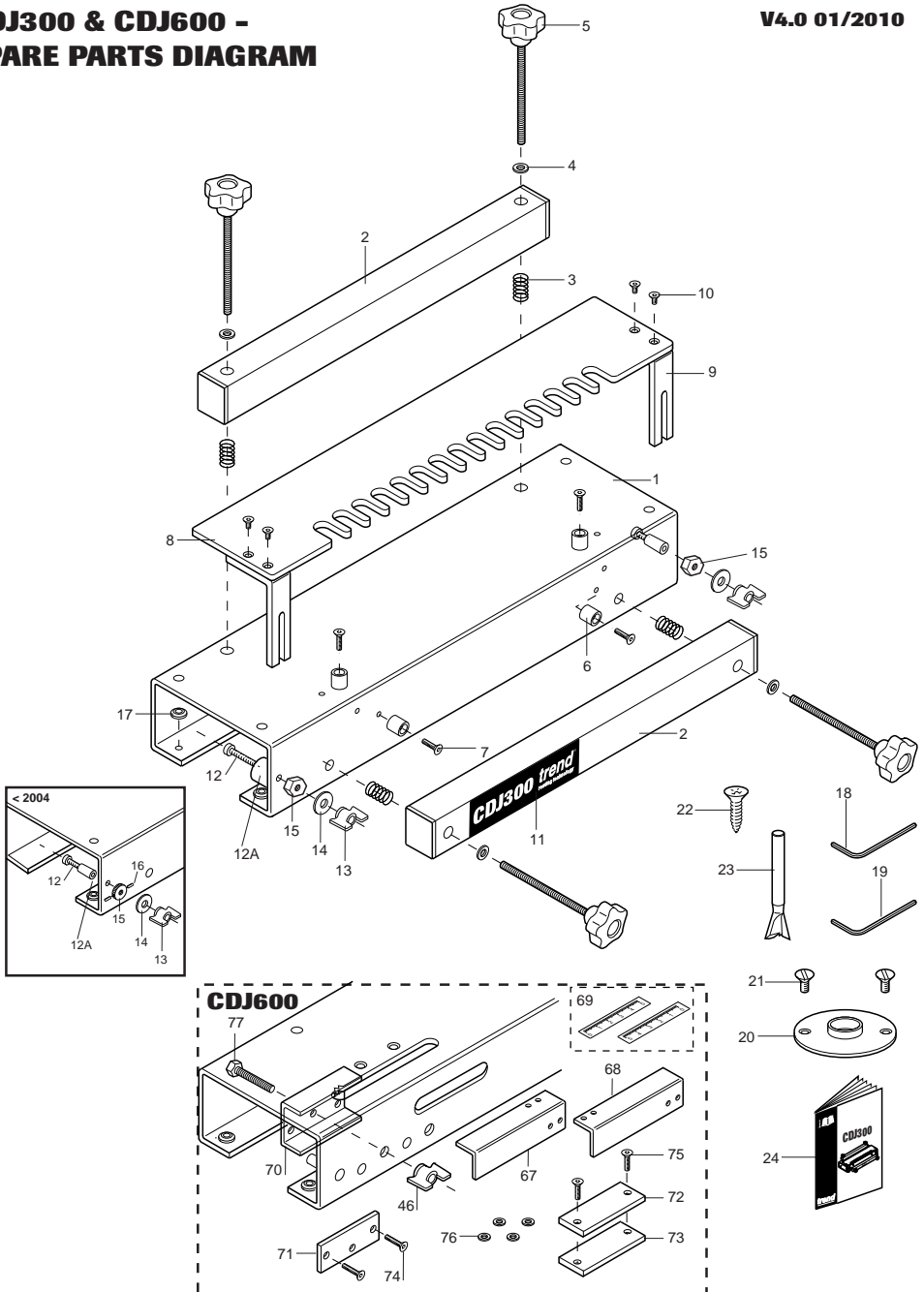


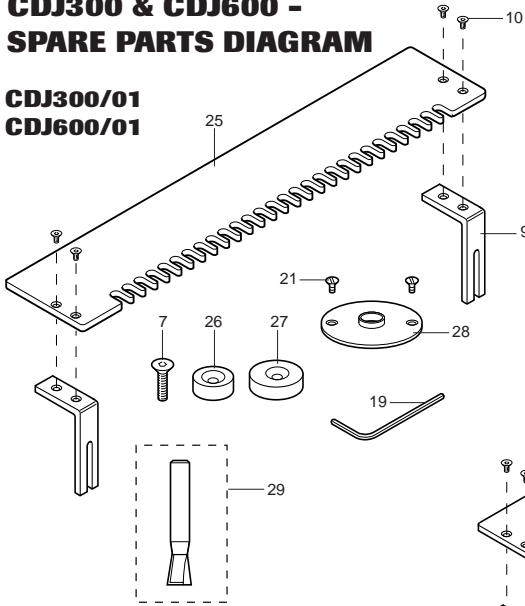
**CDJ300 & CDJ600 -  
SPARE PARTS DIAGRAM**

V4.0 01/2010

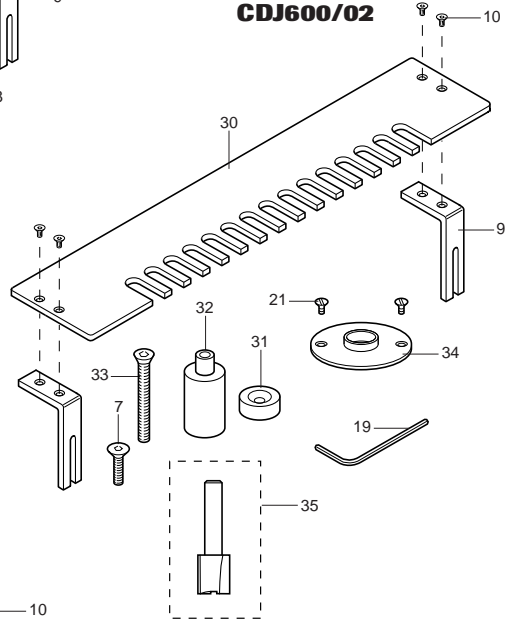


**CDJ300 & CDJ600 -  
SPARE PARTS DIAGRAM**

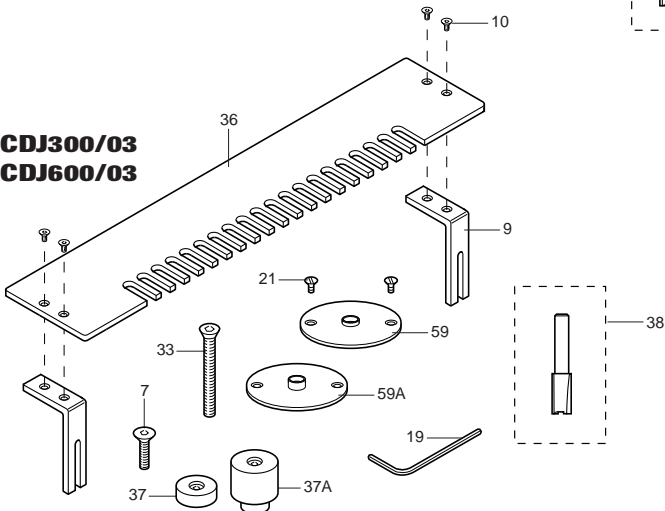
**CDJ300/01  
CDJ600/01**



**CDJ300/02  
CDJ600/02**



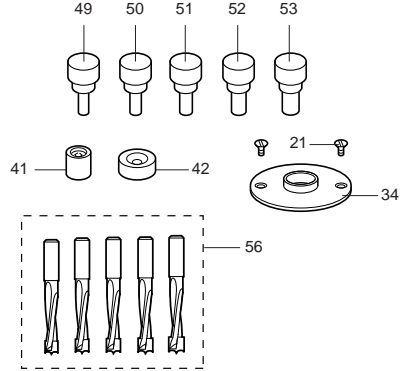
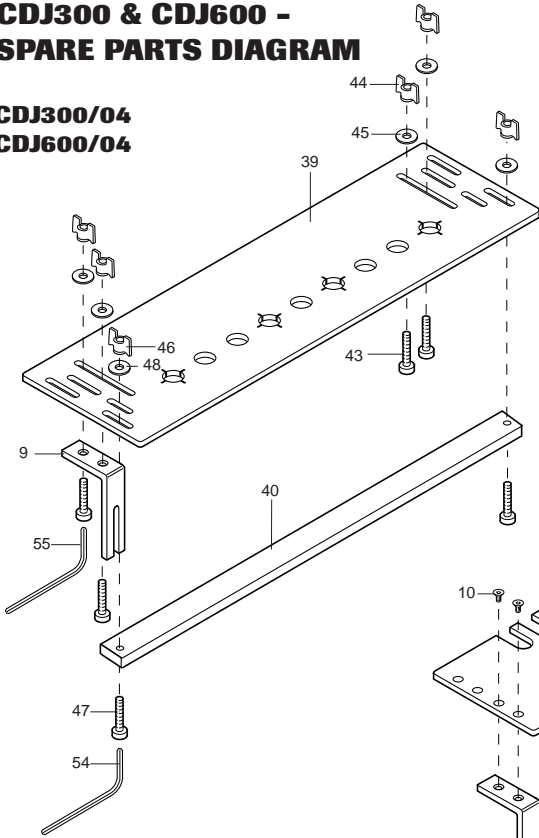
**CDJ300/03  
CDJ600/03**



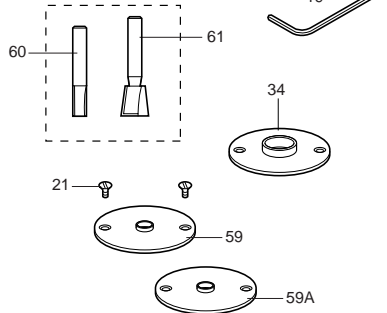
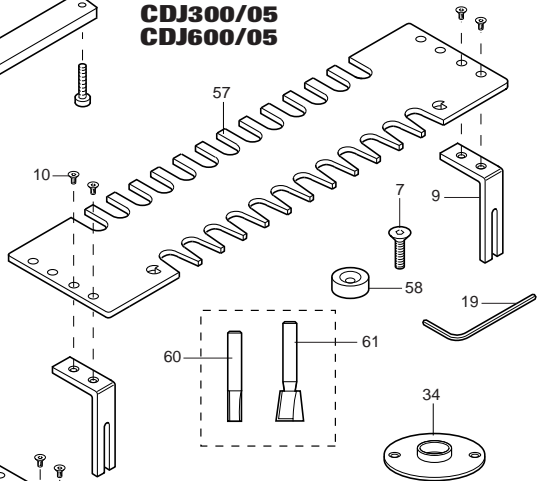
**CDJ300 & CDJ600 -  
SPARE PARTS DIAGRAM**

**V4.0 01/2010**

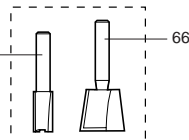
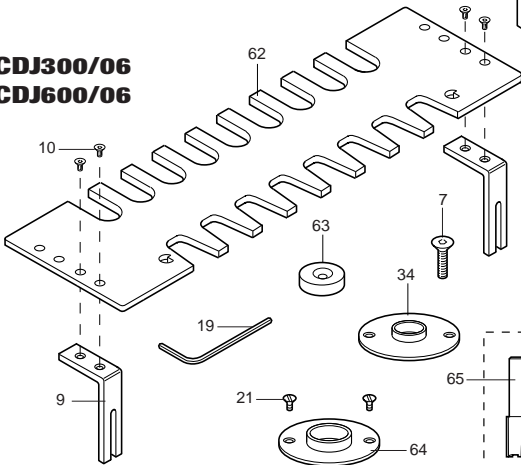
**CDJ300/04  
CDJ600/04**



**CDJ300/05  
CDJ600/05**



**CDJ300/06  
CDJ600/06**



<b>CDJ300 &amp; CDJ600 - SPARE PARTS LIST</b>			<b>v4.0 01/2010</b>
<b>No.</b>	<b>Qty.</b>	<b>Desc.</b>	<b>Ref.</b>
1	1	Jig Body CDJ300	WP-CDJ300/01
	1	Jig Body CDJ600	WP-CDJ600/01
2	2	Clamping Bar with Grip CDJ300	WP-CDJ300/02
	2	Clamping Bar with Grip CDJ600	WP-CDJ600/02
3	4	Spring	WP-CDJ/03
4	4	Washer 8.5mm x 16.5mm x 1.5mm	WP-CDJ/04
5	4	Clamp Knob Male M8 x 80mm CDJ300	WP-CDJ/05
	2	Clamp Knob Male M8 x 80mm CDJ600	WP-CDJ/05
6	4	Edge Guide 10mmx10mm Dia CDJ300 Silver	WP-CDJ300/06
	4	Edge Guide 10mmx10mm Dia CDJ600 Silver	WP-CDJ600/06
7	4	Machine Screw Csk M4 x 16mm Skt	WP-SCW/84
8	1	Template Comb 1/2 Lapped CDJ300	WP-CDJ300/08
	1	Template Comb 1/2 Lapped CDJ600	WP-CDJ600/08
9	2	Template Comb Bracket	WP-CDJ300/09
10	4	Machine Screw Csk M4 x 6mm Skt	WP-SCW/77
11	1	Trend CDJ300 Label	WP-CDJ300/11
	1	Trend CDJ600 Label	WP-CDJ600/11
12	2	Machine Screw Csk M6 x 40mm Skt	WP-SCW/81
13	2	Knob Female M6	WP-CDJ/13
14	2	Washer 6.5mm x 24.5mm x 1.5mm <2004	WP-WASH/12
	2	Washer 8.5mm x 23.5mm x 2mm <2004	WP-WASH/17
	2	Nylon spacer for M6 >2004	WP-CDJ300/14
15	2	Comb Adjustment Stop M6 CDJ300 <2004	WP-CDJ300/15
	2	Comb Adjustment Stop M8 CDJ600 <2004	WP-CDJ600/15
	2	Comb Adjustment Stop M6 >2004	WP-NUT/15
16	4	Set Screw M5 x 5mm	WP-CDJ/16
17	4	Rubber Foot	WP-CDJ/17
18	1	Hex Key 2.5mm A/F	WP-AP/25
19	1	Hex Key 4mm A/F	WP-AP/04
20	1	Guide Bush 15.8mm x 6mm	GB158
21	2	Machine Screw Csk M5 x 8mm Slot	WP-SCW/09
22	4	Self Tapping Screw Csk No.8 x 25mm Pozi	WP-SCW/100
23	1	Dovetail Cutter 12.7mm Dia x 104 Deg	C041A
24	1	Manual	MANU/CDJ
<b>FOR CDJ600</b>			
46	2	Knob Female M6 CDJ600	WP-CDJ/46
67	1	Sliding Stop Bar Left CDJ600	WP-CDJ600/67
<b>FOR CDJ600 &lt;04/2010</b>			
9	2	Template Comb Bracket CDJ600 <04/2010	WP-CDJ/600/09
12	2	Machine Screw Csk M8 x 50mm CDJ600 <04/2010	WP-SCW/82
13	2	Knob Female M8 CDJ600 <2010	WP-CDJ/600/13
14	2	Nylon Spacer for M6 CDJ600 >2000 <04/2010	WP-CDJ/600/14
15	2	Comb Adjustment Stop M8 CDJ600 <04/2010	WP-NUT/09
19	1	Hex Key 5mm A/F CDJ600 <04/2010	WP-AP/03

<b>CDJ300 &amp; CDJ600 - SPARE PARTS LIST</b>				<b>v4.0 01/2010</b>
<b>No.</b>	<b>Qty.</b>	<b>Desc.</b>	<b>Ref.</b>	
68	1	Sliding Stop Bar Right CDJ600	WP-CDJ600/68	
69	1	Label Scale Pack (Left & Right) CDJ600	WP-CDJ600/69	
70	2	Sliding Stop U Bracket CDJ600	WP-CDJ600/70	
71	2	Sliding Stop Spacer CDJ600	WP-CDJ600/71	
<b>CDJ300 &amp; CDJ600 - SPARE PARTS LIST</b>				<b>v3.0 12/2003</b>
72	2	Sliding Stop Clamp Spacer (Hole) CDJ600	WP-CDJ600/72	
73	2	Sliding Stop Clamp Spacer (Tapped) CDJ600	WP-CDJ600/73	
74	4	Machine Screw Csk M4 x 12 Skt CDJ600	WP-SCW/78	
75	4	Machine Screw Csk M4 x 25mm Skt CDJ600	WP-SCW/79	
76	8	Shim 6mm x 10mm x 0.2mm CDJ600	WP-CDJ600/76	
77	2	Set Screw Hex M6 x 35mm CDJ600	WP-CDJ600/77	
<b>1/4" LAPPED CDJ300/01 &amp; CDJ600/01</b>				
7	4	Machine Screw Csk M4 x 6mm Slot	WP-SCW/84	
9	2	Template Comb Bracket CDJ300	WP-CDJ300/09	
	2	Template Comb Bracket CDJ600	WP-CDJ600/09	
10	4	Machine Screw Csk M4 x 6mm Skt	WP-SCW/77	
19	1	Hex Key 2.5mm A/F	WP-AP/25	
21	2	Machine Screw Csk M5 x 8mm Slot	WP-SCW/09	
25	1	Template Comb 1/4 Lapped CDJ300	WP-CDJ300/25	
	1	Template Comb 1/4 Lapped CDJ600	WP-CDJ600/25	
26	2	Edge Guide 15.8mm Dia x 6mm CDJ300 Green	WP-CDJ300/26	
	2	Edge Guide 20.1mm Dia x 10.5mm CDJ600 Green	WP-CDJ600/26	
27	2	Edge Guide 28.7mm Dia x 4mm CDJ300 Green	WP-CDJ300/27	
	0	Edge Guide 10mm Dia x 10mm CDJ600 Silver	WP-CDJ600/06	
28	1	Guide Bush 7.8mm x 4mm	GB78	
29	1	Dovetail Cutter 6.0mm Dia x 98 Deg	C154	
<b>1/2" BOX CDJ300/02 &amp; CDJ600/02</b>				
7	4	Machine Screw Csk M4 x 16mm Slot	WP-SCW/84	
9	2	Template Comb Bracket CDJ300	WP-CDJ300/09	
	2	Template Comb Bracket CDJ600	WP-CDJ600/09	
10	4	Machine Screw Csk M4 x 6mm Skt	WP-SCW/77	
19	1	Hex Key 2.5mm A/F	WP-AP/25	
21	2	Machine Screw Csk M5 x 8mm Slot	WP-SCW/09	
30	1	Template Comb 1/2 Box CDJ300	WP-CDJ300/30	
	1	Template Comb 1/2 Box CDJ600	WP-CDJ600/30	
31	2	Edge Guide 19.7mm Dia x 6mm CDJ300 Red	WP-CDJ300/31	
	2	Edge Guide 11.3mm Dia x 8.5mm CDJ600 Red	WP-CDJ600/31	
32	2	Edge Guide 17.3mm Dia x 31mm CDJ300 Red	WP-CDJ300/32	
	2	Edge Guide 10mm x 33mm Dia CDJ600 Red	WP-CDJ600/32	
33	2	Machine Screw Csk M4 x 40mm Skt	WP-SCW/80	

<b>CDJ300 &amp; CDJ600 - SPARE PARTS LIST</b>			<b>v4.0 01/2010</b>
<b>No.</b>	<b>Qty.</b>	<b>Desc.</b>	<b>Ref.</b>
34	1	Guide Bush 15.8mm x 4mm <2010	GB158/A
	1	Guide Bush 15.8mm x 4mm >2010	GB158/B
35	1	Straight Cutter 12.55mm Dia x 25mm Cut	C021A
<b>8MM BOX CDJ300/03 &amp; CDJ600/03</b>			
7	4	Machine Screw Csk M4 x 16mm Slot	WP-SCW/84
9	2	Template Comb Bracket CDJ300	WP-CDJ300/09
	1	Template Comb Bracket CDJ600	WP-CDJ600/09
10	4	Machine Screw Csk M4 x 6mm Skt	WP-SCW/77
19	1	Hex Key 2.5mm A/F	WP-AP/25
21	2	Machine Screw Csk M5 x 8mm Slot	WP-SCW/09
33	2	Machine Screw Csk M4 x 40mm Skt	WP-SCW/80
36	1	Template Comb 8mm Box CDJ300	WP-CDJ300/36
	1	Template Comb 8mm Box CDJ600	WP-CDJ600/36
37	2	Edge Guide 14mm Dia x 6mm CDJ300 Blue	WP-CDJ300/37
	2	Edge Guide Stepped 10/26mm Dia CDJ600 Blue	WP-CDJ600/37
37A	2	Edge Guide 21mm Dia x 25mm CDJ300 Blue	WP-CDJ300/37A
38	1	Straight Cutter 8mm Dia x 25mm Cut	C012A
59	1	Guide Bush 11.1mm x 3mm <2010	GB111/B
	1	Guide Bush 11.1mm x 4mm >2010	GB111/C
59A	1	Guide Bush 11.1mm x 5.5mm T3	GB111/B
<b>32MM DOWEL CDJ300/04 &amp; CDJ600/04</b>			
9	2	Template Comb Bracket CDJ300	WP-CDJ300/09
	2	Template Comb Bracket CDJ600	WP-CDJ600/09
21	2	Machine Screw Csk M5 x 8mm Slot	WP-SCW/09
34	1	Guide Bush 15.8mm x 3mm <2010	GB158/A
	1	Guide Bush 15.8mm x 4mm >2010	GB158/B
39	1	Template Dowel 32mm CDJ300	WP-CDJ300/39
	1	Template Dowel 32mm CDJ600	WP-CDJ600/39
40	1	Fence Bar Dowel Template CDJ300	WP-CDJ300/40
41	2	Edge Guide 11.5mm Dia x 6mm CDJ300 Grey	WP-CDJ300/41
	0	Edge Guide 10mm Dia x 10mm CDJ600 Silver	WP-CDJ600/06
42	2	Edge Guide 13mm Dia x 6mm CDJ300 Grey	WP-CDJ300/42
	2	Edge Guide 12.4mm Dia x 10.5mm CDJ600 Grey	WP-CDJ600/42
43	4	Machine Screw Cap M4 x 20mm Skt	WP-SCW/78
44	4	Knob Female M4	WP-CDJ/44
45	4	Washer 4.3mm x 9mm x 0.8mm	WP-WASH/04
46	2	Knob Female M6	WP-CDJ/46
47	2	Machine Screw Cap M6 x 25mm Skt	WP-SCW/79
48	2	Washer 6.4mm x 12mm x 1.5mm	WP-WASH/12
49	1	Dowel Pin Hole Stop 3mm Dia Pin	WP-CDJ/49
50	1	Dowel Pin Hole Stop 5mm Dia Pin	WP-CDJ/50
51	1	Dowel Pin Hole Stop 6mm Dia Pin	WP-CDJ/51
52	1	Dowel Pin Hole Stop 8mm Dia Pin	WP-CDJ/52
53	1	Dowel Pin Hole Stop 10mm Dia Pin	WP-CDJ/53
54	1	Hex Key 3mm A/F	WP-AP/03

**CDJ300 & CDJ600 - SPARE PARTS LIST**

**v4.0 01/2010**

No.	Qty.	Desc.	Ref.
55	1	Hex Key 5mm A/F	WP-AP/05
56	1	Router Dowel Drill 3mm Dia x 14mm Cut	C180
	1	Router Dowel Drill 5mm Dia x 35mm Cut	C174
	1	Router Dowel Drill 6mm Dia x 35mm Cut	C175
	1	Router Dowel Drill 8mm Dia x 35mm Cut	C176
	1	Router Dowel Drill 10mm Dia x 35mm Cut	C177
<b>1/2" THROUGH CDJ300/05 &amp; CDJ600/05</b>			
7	4	Machine Screw Csk M4 x 16mm Slot (CDJ300)	WP-SCW/84
9	2	Template Comb Bracket CDJ300	WP-CDJ300/09
	2	Template Comb Bracket CDJ600	WP-CDJ600/09
10	4	Machine Screw Csk M4 x 6mm Socket	WP-SCW/77
19	1	Hex Key 2.5mm A/F	WP-AP/25
21	2	Machine Screw Csk M5 x 8mm Slot	WP-SCW/09
34	1	Guide Bush 15.8mm x 3mm	GB158/A
57	1	Template Comb 1/2 Through CDJ300	WP-CDJ300/57
	1	Template Comb 1/2 Through CDJ600	WP-CDJ600/57
58	2	Edge Guide 21.9mm Dia x 5.6mm CDJ300 Brown	WP-CDJ300/58
	0	Edge Guide 10mm Dia x 10mm CDJ600 Silver	WP-CDJ600/06
59	1	Guide Bush 11.1mm x 3mm <2010	GB111/B
	1	Guide Bush 11.1mm x 4mm >2010	GB111/C
59A	1	Guide Bush 11.1mm x 5.6mm T3	GB111/B
60	1	Straight Cutter 8mm Dia x 25mm	C012A
61	1	Dovetail Cutter 12.7mm Dia x 98 Deg	C178
<b>3/4" THROUGH CDJ300/06 &amp; CDJ600/06</b>			
7	4	Machine Screw Csk M4 x 16mm Skt (CDJ300)	WP-SCW/84
9	2	Template Comb Bracket CDJ300	WP-CDJ300/09
	2	Template Comb Bracket CDJ600	WP-CDJ600/09
10	4	Machine Screw Csk M4 x 6mm Socket	WP-SCW/77
19	1	Hex Key 2.5mm A/F	WP-AP/25
21	2	Machine Screw Csk M5 x 8mm Slot	WP-SCW/09
34	1	Guide Bush 15.8mm x 3mm <2010	GB158/A
	1	Guide Bush 15.8mm x 4mm >2010	GB158/B
62	1	Template Comb 3/4 Through CDJ300	WP-CDJ300/62
	1	Template Comb 3/4 Through CDJ600	WP-CDJ600/62
63	2	Edge Guide 16.4mm Dia x 6mm CDJ300 Violet	WP-CDJ300/63
	0	Edge Guide 10mm Dia x 10mm CDJ600 Silver	WP-CDJ600/06
64	1	Guide Bush 22mm x 4mm	GB22/A
65	1	Straight Cutter 12.7mm Dia x 25mm	C021
66	1	Dovetail Cutter 19mm Dia x 97 Deg	C179