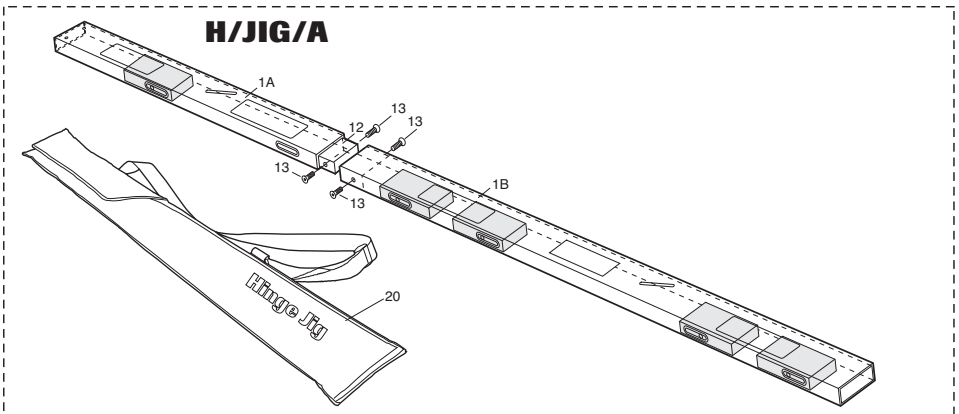
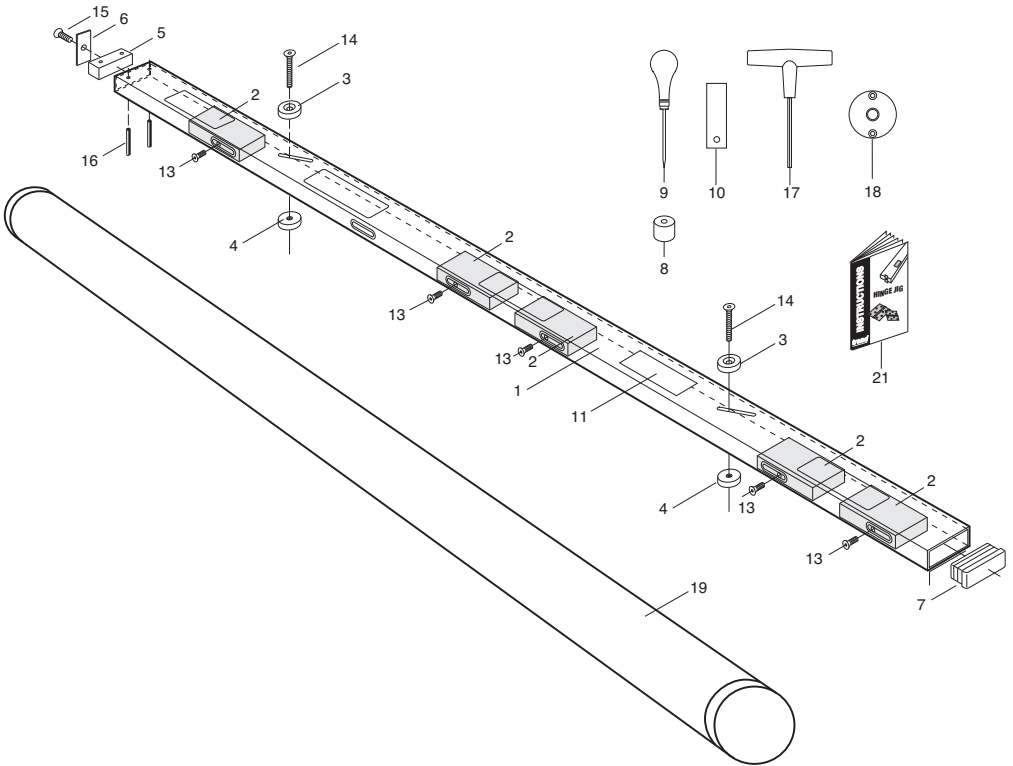


HINGE/JIG & H/JIG/A - SPARE PARTS DIAGRAM

v6.0 02/2011



Please use only Trend original spare parts.

HINGE/JIG & H/JIG/A - SPARE PARTS LIST			v6.0 02/2011
No.	Qty	Desc.	Ref.
1	1	Aluminium Template (HINGE/JIG)	WP-HJ/01
1A	1	Aluminium Template Upper (Short) (H/JIG/A)	WP-HJ/01A
1B	1	Aluminium Template Lower (Long) (H/JIG/A)	WP-HJ/01B
2	5	Aperture Block	WP-HJ/02
3	2	Upper Edge Stop	WP-HJ/03
4	2	Lower Edge Stop	WP-HJ/04
5	1	End Block	WP-HJ/05
6	1	Swivel End Plate	WP-HJ/06
7	1	End Bung	WP-HJ/07
8	2	Nylon Spacer	WP-HJ/08
9	2	Bradawl	WP-HJ/09
10	1	Feeler Gauge 4mm	WP-HJ/10
11	1	Hinge Jig Label	WP-HJ/11
12	5	Jointing Block - H/JIG/A	WP-HJ/12
13	5	Machine Screw Csk M6 x 16mm Skt	WP-SCW/51
14	2	Machine Screw Csk M6 x 40/18mm Skt	WP-SCW/52
15	1	Machine Screw Small Csk M6 x 12mm Skt	WP-SCW/56
16	2	Split Pin 3mm x 25mm	WP-PIN/01
17	1	Hex Key 'T' Handle 4mm	WP-AKT/01
18	1	Guide Bush 16mm Dia. x 10mm Spigot	GB160
19	1	Storage Tube (HINGE/JIG)	CASE/HJ
20	1	Carry Case (H/JIG/A)	CASE/HJ/A
21	1	Manual	MANU/HJ