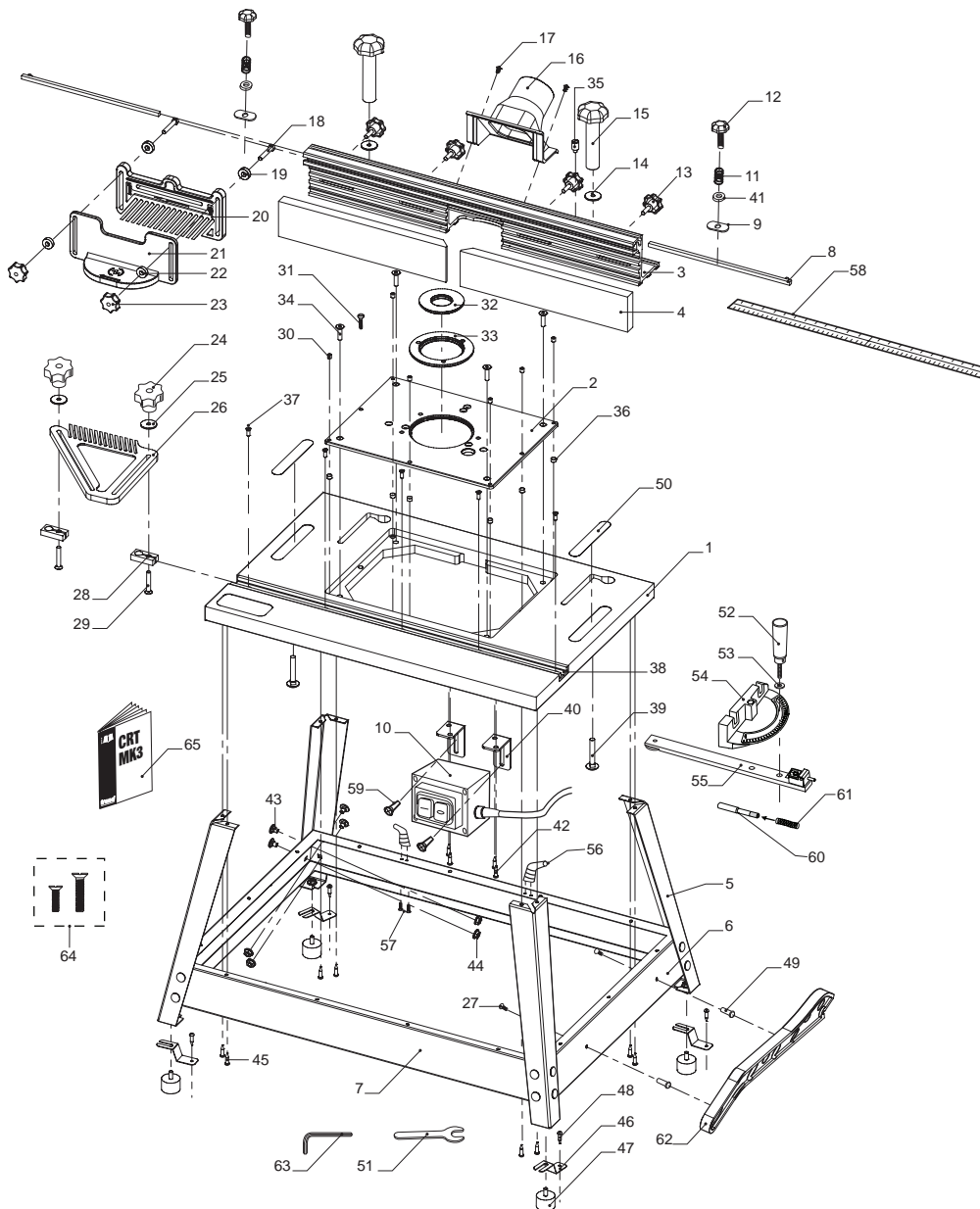


**CRT/MK3 - SPARE PARTS DIAGRAM**

v1.0 03/2011



Please use only Trend original spare parts.

| <b>CRT/MK3 - SPARE PARTS LIST</b> |             |   | <b>v1.0 03/2011</b>                         |
|-----------------------------------|-------------|---|---|
| <b>No.</b>                        | <b>Qty.</b> | <b>Desc.</b>  | <b>Ref.</b>                                 |
| 1                                 | 1           | Table Top   | WP-CRTMK3/01                                |
| 2                                 | 1           | Insert Plate  | WP-CRTMK3/02                                |
| 3                                 | 1           | Back Fence  | WP-CRTMK3/03                                |
| 4                                 | 2           | Fence Cheek   | WP-CRTMK3/04                                |
| 5                                 | 4           | Leg   | WP-CRTMK3/05                                |
| 6                                 | 2           | Leg Rail Short  | WP-CRTMK3/06                                |
| 7                                 | 2           | Leg Rail Long   | WP-CRTMK3/07                                |
| 8                                 | 2           | Edge Planing Rod  | WP-CRTMK3/08                                |
| 9                                 | 2           | T-Nut for Edge Planing Knob   | WP-CRTMK3/09                                |
| 10                                | 1           | No Volt Release Switch 240V UK Plug<br>No Volt Release Switch 230V EURO Plug<br>No Volt Release Switch 115V UK Plug | NVRS/2/240V<br>NVRS/2/230V/E<br>NVRS/2/115V |
| 11                                | 2           | Spring for Edge Planing Knob  | WP-CRTMK3/11                                |
| 12                                | 2           | Knob for Edge Planing Assembly  | WP-CRTMK3/12                                |
| 13                                | 4           | Knob UNC 1/4 - 20 x 3/4" Male for Fence Cheek   | WP-CRTMK3/13                                |
| 14                                | 2           | Washer 8mm x 23mm x 2mm for Back Fence Knob   | WP-CRTMK3/14                                |
| 15                                | 2           | Back Fence Knob UNC 5/16 Female   | WP-CRTMK3/15                                |
| 16                                | 1           | Dust Spout  | WP-CRTMK3/16                                |
| 17                                | 2           | Machine Screw M4 x 8mm Pozi for Dust Spout  | WP-CRTMK3/17                                |
| 18                                | 2           | T Bolt UNC 1/4 - 20 x 1- 3/4" for Top Guard   | WP-CRTMK3/18                                |
| 19                                | 2           | Washer for T Bolt   | WP-CRTMK3/19                                |
| 20                                | 1           | Top Pressure  | WP-CRTMK3/20                                |
| 21                                | 1           | Top Guard   | WP-CRTMK3/21                                |
| 22                                | 2           | Washer Plastic for Top Guard  | WP-CRTMK3/22                                |
| 23                                | 2           | Knob UNC 1/4 - 20 Female for Plastic Guard  | WP-CRTMK3/23                                |
| 24                                | 2           | Knob for Side Pressure  | WP-CRTMK3/24                                |
| 25                                | 2           | Washer 8mm x 23mm x 2mm for Side Pressure Bolt  | WP-CRTMK3/25                                |
| 26                                | 1           | Side Pressure   | WP-CRTMK3/26                                |
| 27                                | 2           | Machine Screw for Pushstick Park  | WP-CRTMK3/27                                |
| 28                                | 2           | Plate for Side Pressure Bolt  | WP-CRTMK3/28                                |
| 29                                | 2           | Machine Screw Csk 1/4" x 1 9/16" Phillips   | WP-CRTMK3/29                                |
| 30                                | 7           | Set Screw M6 x 6mm for Fixing Plate   | WP-CRTMK3/30                                |
| 31                                | 3           | Machine Screw Csk M6 x 15mm Phillips  | WP-CRTMK3/31                                |
| 32                                | 1           | Insert Ring 31.8mm ID   | WP-CRTMK3/32                                |
| 33                                | 1           | Insert Ring 67.5mm ID   | WP-CRTMK3/33                                |
| 34                                | 4           | Machine Screw Csk M5 x 16mm Skt   | WP-CRTMK3/34                                |
| 35                                | 1           | Lead-on Pin   | WP-CRTMK3/35                                |
| 36                                | 7           | Magnet 8mm x 5mm  | WP-CRTMK3/36                                |
| 37                                | 5           | Self Tapping Screw for Mitre Fence Extrusion  | WP-CRTMK3/37                                |
| 38                                | 1           | Mitre Fence Extrusion   | WP-CRTMK3/38                                |
| 39                                | 2           | Coach Bolt UNC 5/16 x 2" Male for Back Fence  | WP-CRTMK3/39                                |
| 40                                | 2           | Switch Bracket  | WP-CRTMK3/40                                |

| <b>CRT/MK3 - SPARE PARTS LIST</b> |             |  | <b>v1.0 03/2011</b> |
|-----------------------------------|-------------|--|---------------------|
| <b>No.</b>                        | <b>Qty.</b> | <b>Desc.</b>                                   | <b>Ref.</b>         |
| 41                                | 2           | Washer for Edge Planing Assembly               | WP-CRTMK3/41        |
| 42                                | 8           | Self Tapping Screw Pan 4mm x 16mm Phillips     | WP-CRTMK3/42        |
| 43                                | 16          | Machine Screw Carriage M6 x 10mm for Leg Frame | WP-CRTMK3/43        |
| 44                                | 16          | Nut Hex Flanged M6 for Leg Frame               | WP-CRTMK3/44        |
| 45                                | 8           | Self Tapping Screw Pan 4mm x 19mm Phillips     | WP-CRTMK3/45        |
| 46                                | 4           | Bench Mounting Bracket                         | WP-CRTMK3/46        |
| 47                                | 4           | Foot   | WP-CRTMK3/47        |
| 48                                | 4           | Self Tapping Screw Pan 4mm x 19mm Phillips     | WP-CRTMK3/48        |
| 49                                | 2           | Nut for Pushstick Park                         | WP-CRTMK3/49        |
| 50                                | 2           | Scale Label                                    | WP-CRTMK3/50        |
| 51                                | 1           | Spanner Pressed Steel 10mm A/F                 | WP-CRTMK3/51        |
| 52                                | 1           | Mitre Fence Knob                               | WP-CRTMK3/52        |
| 53                                | 1           | Washer for Mitre Fence                         | WP-CRTMK3/53        |
| 54                                | 1           | Mitre Fence Body                               | WP-CRTMK3/54        |
| 55                                | 1           | Mitre Fence Rail and Index Head                | WP-CRTMK3/55        |
| 56                                | 2           | Cable Management Clip                          | WP-CRTMK3/56        |
| 57                                | 4           | Self Tapping Screw Pan 4mm x 12mm Phillips     | WP-CRTMK3/57        |
| 58                                | 1           | Back Fence Scale                               | WP-CRTMK3/58        |
| 59                                | 2           | Machine Screw Pan M6 x 16mm Phillips           | WP-CRTMK3/59        |
| 60                                | 1           | Mitre Fence Location Pin                       | WP-CRTMK3/60        |
| 61                                | 1           | Mitre Fence Location Pin Spring                | WP-CRTMK3/61        |
| 62                                | 1           | Pushstick                                      | PUSHSTICK/1         |
| 63                                | 1           | Hex Key 3mm A/F                                | WP-AP/03            |
| 64                                | 1           | Router Screw Fixing Pack Csk                   | FIX/KIT/2           |
| 65                                | 1           | Manual   | MANU/CRT/MK3        |