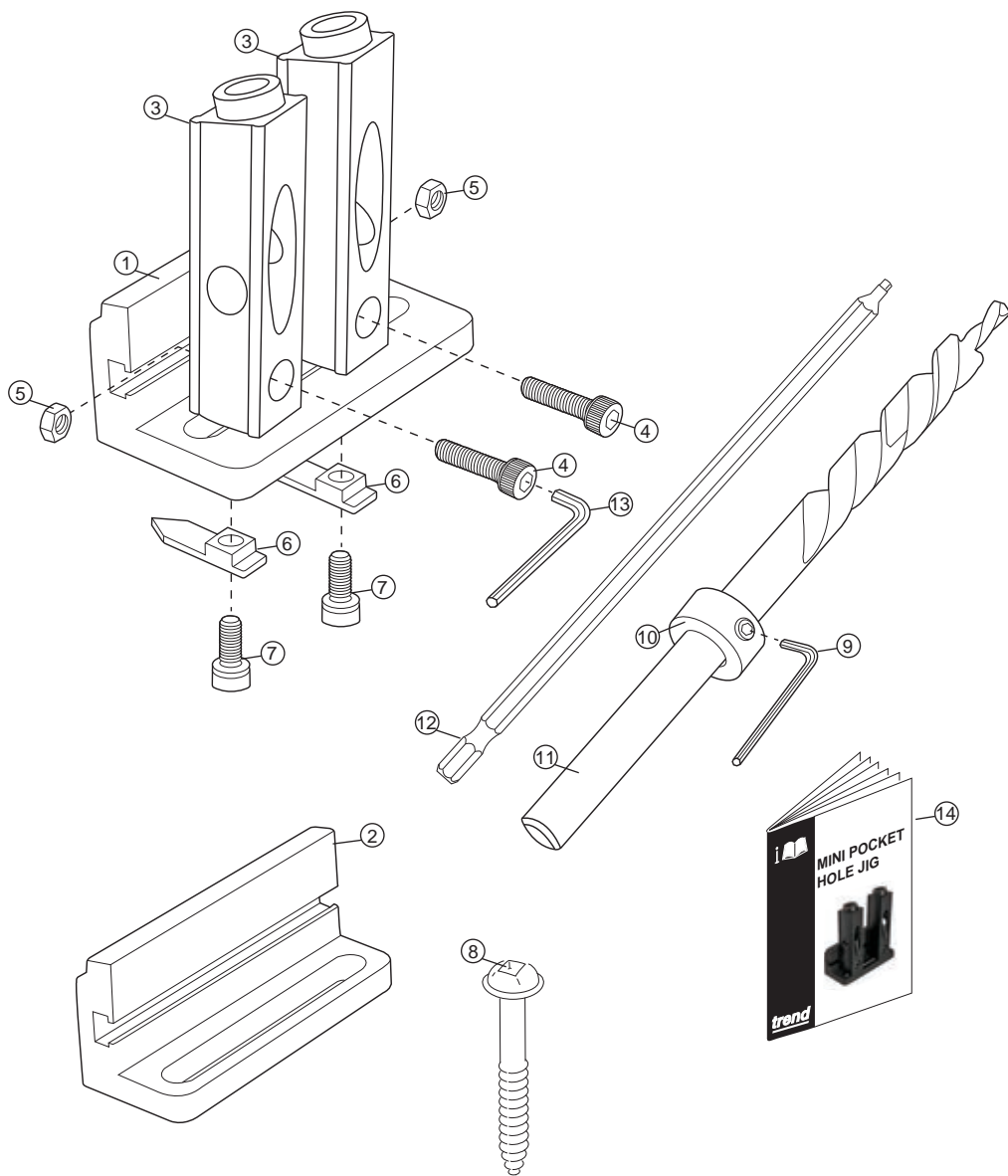


PH/JIG/M - SPARE PARTS DIAGRAM

v1.0 01/2014



Please use only Trend original spare parts.

PH/JIG - SPARE PARTS LIST			v1.0 01/2014
No.	Qty.	Desc.	Ref.
1	1	Base Long	WP-PHJM/01
2	1	Base Short	WP-PHJM/02
3	2	Guide Column with Solid Bush	WP-PHJM/03
4	2	Machine Screw Cap M5 x 20mm Skt	WP-SCW/122
5	2	Hex Nut M5	WP-NUT/05
6	2	Scale Marker	WP-PHJM/06
7	2	Hex Screw Cap M5 x 14mm Skt	WP-SCW/123
8	0	Screw Pocket Hole Self Tapping Dome No.7 x 30mm Square Pack of 500	PH/7X30/500
9	1	Hex Key 2.5mm A/F	WP-AP/25
10	1	Depth Collar for Stepped Drill	PH/COLL/95
11	1	Stepped Drill 9.5mm (3/8") Diameter x 150mm Long HSS	PH/DRILL/95
12	1	Square Drive Screwdriver Bit No.2 x 150mm long	SNAP/SQ/2B
13	1	Hex Key 4mm A/F	WP-AP/04
14	1	Manual	MANU/PH/M