



Aerial Loft Bracket

29923QR User Guide

This loft fixing kit is designed for loft mounting small to medium sized aerials.

Kit Contents

loft fixing pole with cap	loft fixing bracket
2x nuts & bolts	4x screws

Installation

Slide the pole into the bracket and tighten up the nuts and bolts to hold it in place. Find a suitable beam position which allows the aerial to fit when pointed in the right direction.

Use the screws supplied to secure the bracket to the beam.

Safety Warnings

You can reduce the risk of accidents by forward planning.

Before starting installation make sure that the surfaces/structures to which the bracket is to be attached is in a good state of repair and check for hidden electrical wiring or plumbing.

When working in a loft or roof space tread carefully and ensure adequate lighting is available.

Always route cables or wiring carefully to avoid injury.

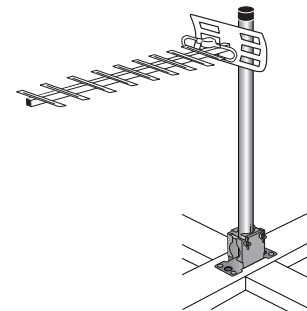
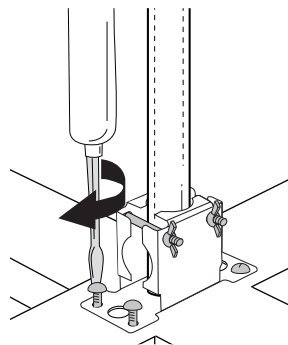
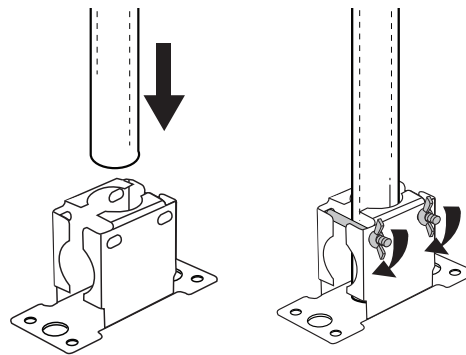
Make sure cable is correctly routed before it is fixed into position, take care not to over tighten cable clips.

If in doubt consult a qualified electrician or professional aerial installer.



Customer Careline: **08457 573 479** (Local rate - UK number)

Technical Support: www.slxtechnology.com/support



UK Distributor
Philex Electronic Ltd.
Kingfisher Wharf, London Road,
Bedford MK42 0NX,
United Kingdom.

EU Distributor
Philex Electronic Ireland Ltd.
Robwyn House, Corrintra,
Castleblayney, Co. Monaghan,
A75 YX76, Ireland.