



# 2 Way Plug through Aerial Amplifier

28101QR  
User Guide



4G & 5G  
filter



Variable  
Gain

## Introduction

Congratulations on the purchase of your new SLX Plug Through Booster. Features include:

- Flat gain response across the full frequency spectrum ensures optimum digital reception
- Gain control allows adjustment of signal strength for optimum picture quality
- Surge protection
- Side mounted terminals provide easy cable management
- Short circuit protection
- Full VHF compatibility for TV and FM/DAB
- 5G/4G Ready - built-in filter removes interference and channel loss caused by mobile phone signals

We are sure you will enjoy using your SLX booster it's easy to install and incorporates the latest technology for energy efficient, long-term, continuous use.

If you have any queries please get in touch with our technical department at

[www.philex.com/support](http://www.philex.com/support)  
**Additional Features**

The adjustable gain control on these Boosters allows you to compensate for weak or strong signals and long or short cable runs to optimise the signal quality. Digital signal quality can be affected by signals that are either too weak or too strong.

All our boosters comply with RED (The Radio Equipment Directive 2014/53/EU).

## Before Installing Please Note

### Applications

SLx Boosters incorporate a Class 1 filter to reduce 4G and 5G interference and are suitable for digital TV signals Ch 21-48 (470-694MHz) however if you wish to receive TV on Ch60 you should use an SLx Booster with IR Bypass. In this case you may need a Ch 60 filter if you are affected by 4G or 5G interference.

### Installation

Important note: attention is drawn to the General Safety Precautions Panel above which contains advice on safe installation and operation of these products.

### Location

Choose a location for the booster from which it is convenient to run cables from the aerial and to the rooms with TV's. Typical examples of suitable locations are a loft space or a cupboard. In weak signal areas it is best to keep the cable from the aerial as short as possible.

Select a cool, dry location to install the amplifier. This means a location where the ambient temperature will remain between -10°C and +40°C, and which is free from risk of dripping or splashing water.

The fixing location should allow adequate access to the equipment for wiring and maintenance. Clearance of at least 25mm should be allowed around the unit for ventilation.

### Signal Connections

Input and output signal connections are made using IEC coax connectors. Good quality plugs and digital quality double screened coaxial cable should be used to ensure optimum performance from your booster.

## General Safety Precautions

### To Prevent Overheating

The recommended clearances and other precautions given in these instructions must be observed to prevent overheating. In addition, units should not be positioned where they are likely to become covered by curtains, fabric or insulating material. The amp should not be left resting on a carpet.

### Other precautions

This appliance is not waterproof, and is intended for indoor use only and must not be positioned where it could be exposed to dripping or splashing water. Objects containing liquids should not be placed on or near the booster.

To prevent fire, make sure the unit and attached cabling are installed well away from naked flames and other heat sources.

## Installation for TV and Radio Signal Distribution

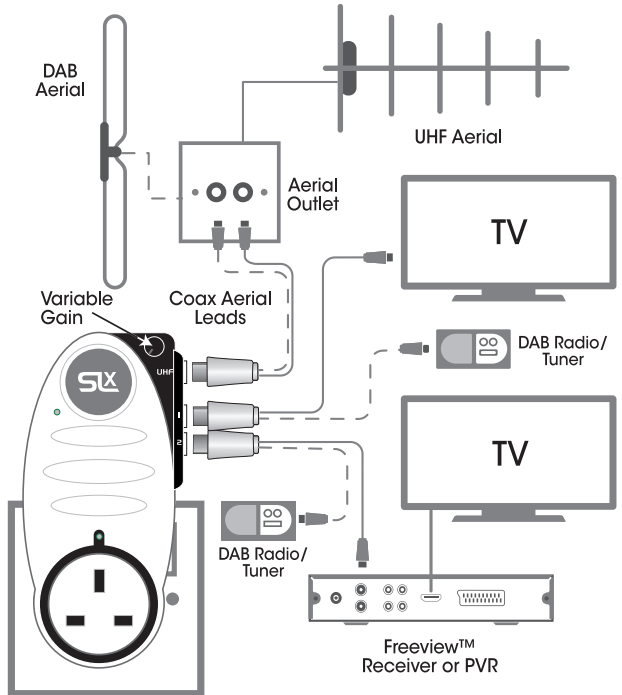
**Note:** If you are plugging your amplifier into a twin socket it is recommended that it is plugged into the right hand socket so that connected flyleads do not obstruct the other socket.  
**WARNING:** Do not plug appliances rated at more than 13A or 3000W into the amplifier's mains socket.

### TV Signal Distribution

1. Connect your UHF aerial download flylead from aerial outlet to the **INPUT** socket on the amplifier.
2. Connect your TVs or set top boxes to sockets 1 & 2 on the amplifier (in any combination).

### FM/DAB Signal Distribution

1. Connect your radio aerial download (either FM or DAB) to the **INPUT** socket on the amplifier.
2. Connect your FM radios/tuners or your DAB radios/tuners to either of sockets 1 & 2 on the amplifier (in any combination).



Coax leads shown are not supplied

## Operating Instructions

### Variable gain control

After installing your SLx booster rotate the variable gain control (shown in the diagram opposite) to get the best picture/sound. Bear in mind that the signal can be too strong as well as too weak, see Trouble Shooting section overleaf for more details

### SLx logo backlight LED configuration

SLx logo backlit - Power on

### Amber LED - Surge and Spike Protection

When the Amber light comes on the SLx logo back light will go out. This indicates that there has been a power surge or spike, this will return to normal and will require no action by yourself. After the power surge or spike has passed the Amber light will go out and the SLx logo will be lit again. This feature ensures that you have that extra protection and peace of mind.

### Red LED -Short Circuit Protection\*

After connecting flyleads to the SLx booster and before connecting flyleads to TV/VCR, if the Red LED comes on remove the output coaxial cables one by one until the Red LED goes out. Replace leads one by one, if the Red LED light comes on, there is a short circuit between the central conductor and the braiding on this coaxial cable. Check the wiring of the connectors/connections on both ends of the cable to see if there is a strand of braid touching the central conductor. If so, rewire the connection so that the braid is well clear of the central conductor and retry procedure.

Note: Red LED will also light up when flyleads are connected to a TV or VCR, this is normal and does not indicate a fault.

# Installation for TV and Satellite Signal Distribution

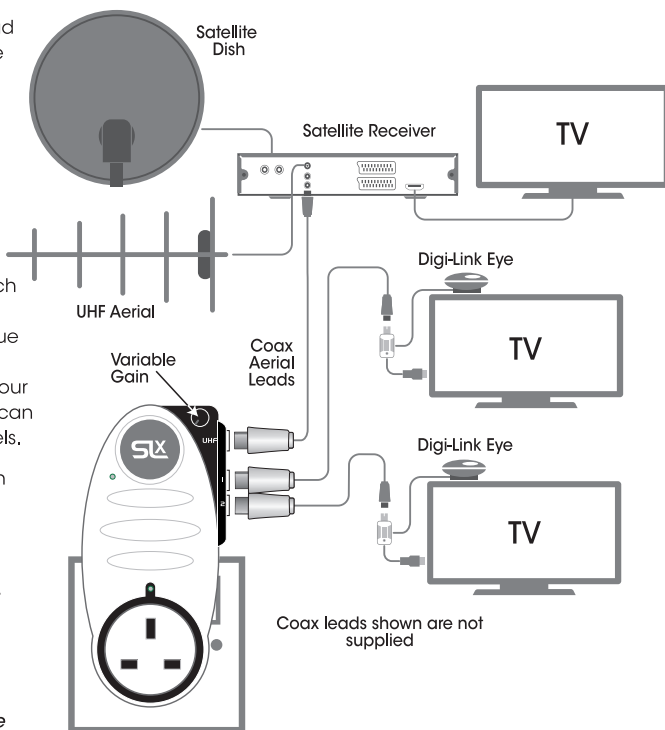
1. Connect your UHF aerial downlead to the aerial input on your satellite receiver.
2. Connect an aerial flylead from the RF2 output on the satellite receiver to the INPUT socket on the amplifier.
4. Connect your TVs to the amplifier's sockets 1 & 2.

Once connected, you can tune each TV to a channel for satellite viewing (providing your TVs have an analogue tuner), if you have connected a TV aerial to your satellite receiver and your TV has a built-in digital receiver you can also tune in digital terrestrial channels.

Note. Only one satellite channel can be viewed at any one time without additional satellite receivers and subscriptions.

Note. To operate your digital satellite receiver from one of the connected TVs you will now need to install a Link device such as a Digi-Link.

*Please Note: To view output from the satellite RF2 output you will need a TV with an analogue tuner.*



## Using the Amplifier with a Sky™ Digibox

### Please Note:

1. When using this amplifier with a Sky Digibox, the amplifier must be fed from the RF OUT-2 socket of the Digibox. However if the RF Channel is set to 49 or above (68 is usually the default channel) you will need to reset it to a channel from 21-48 in the Digibox Setup Menu.
2. Later Digibox models such as the Sky+HD 2TB are not fitted with an RF OUT2 output and you will need an I/O converter such as the MRX600K to distribute signals from the Digibox to other TVs.
3. To view satellite RF2 output TVs require an analogue tuner.

### Resetting the RF Channel on a Digibox

1. Switch on your Sky™/Sky+™/ Sky+ HD™ receiver and view on your main television.
2. Press the SERVICES button on your Sky™ remote.
3. Select SYSTEM SETUP option (for SKY+ HD there is no SYSTEM SETUP option press 0 instead).
4. Press the following buttons in sequence: 0, 1, SELECT (for SKY+ HD this is a hidden option and does not appear on screen). You should now see the installers' menu.
5. Select the RF CHANNEL NUMBER option and key in a new channel number from 21-48. Make a note of the channel number you choose as you may need it when tuning your other TVs.

# Specifications

Booster	In	Out	Signal Frequency	Suitable for	Max Gain	Adjust	Noise	Isolation Out/Out	Max Output	Typ. 4G/5G Protection
28101QR	1	2	87-694MHz	FM/DAB/TV Ch21-48 Freeview	12dB	-12dB	<4.5dB	20dB	96dB $\mu$ V	30dB

Philex reserve the right to modify their designs or specifications, in the light of future developments, without prior notice. Performance figures quoted are typical and subject to normal manufacturing and service tolerances.

## Troubleshooting

If you experience reception problems after installing your SLx booster, please see below:

### No picture or sound

Is the signal reaching your TV? Check:

- Everything, including the booster is plugged in and switched on
- Coaxial connections are correctly made (no braid or foil is touching the inner core)

### Picture or sound breaking up

- Use the best wideband aerial ideally fitted outdoors
- Use good quality coax cable, poorly screened cable can pick up noise
- Adjust the gain control up or down, either too much or too little signal can cause similar break-up

For specific help with digital TV reception problems, visit [www.digitaluk.co.uk](http://www.digitaluk.co.uk) or [www.bbc.co.uk/reception/television/freeview/reception\\_problems](http://www.bbc.co.uk/reception/television/freeview/reception_problems)



**Standard:** EN 303 354  
**Product Type:** D Signal Distribution Amplifiers  
**Filter Class:** 1 Mitigates 4G/5G interference

Suitable for digital TV signal distribution Ch21-48 in the UK and EIRE.



## Technical Support

If you experience problems setting up your aerial, please visit our technical website at [www.slxtechnology.com/support](http://www.slxtechnology.com/support) you can send us a message or **live chat** during office hours.

## Declaration of Conformity

Hereby, Philex declares that these booster for TV broadcast reception in domestic premises is in compliance with the Radio Equipment Directive 2014/53/EU.

The full Declaration of Conformity is available by contacting the following internet address: [www.slxtechnology.com/DoC](http://www.slxtechnology.com/DoC)



Waste electrical and electronic products should not be disposed of with household waste. Please recycle where facilities exist. Check with your local Authority for recycling advice.



UK Distributor:  
Philex Electronic Ltd.,  
Kingfisher Wharf,  
London Road, Bedford,  
MK42 0NX, United Kingdom.

EU Distributor:  
Philex Electronic Ireland Ltd.,  
Robwyn House, Corrintra,  
Castleblayney, Co. Monaghan,  
A75 YX76, Ireland

Made in China. © Philex Electronic Ltd 2021. vb1.1