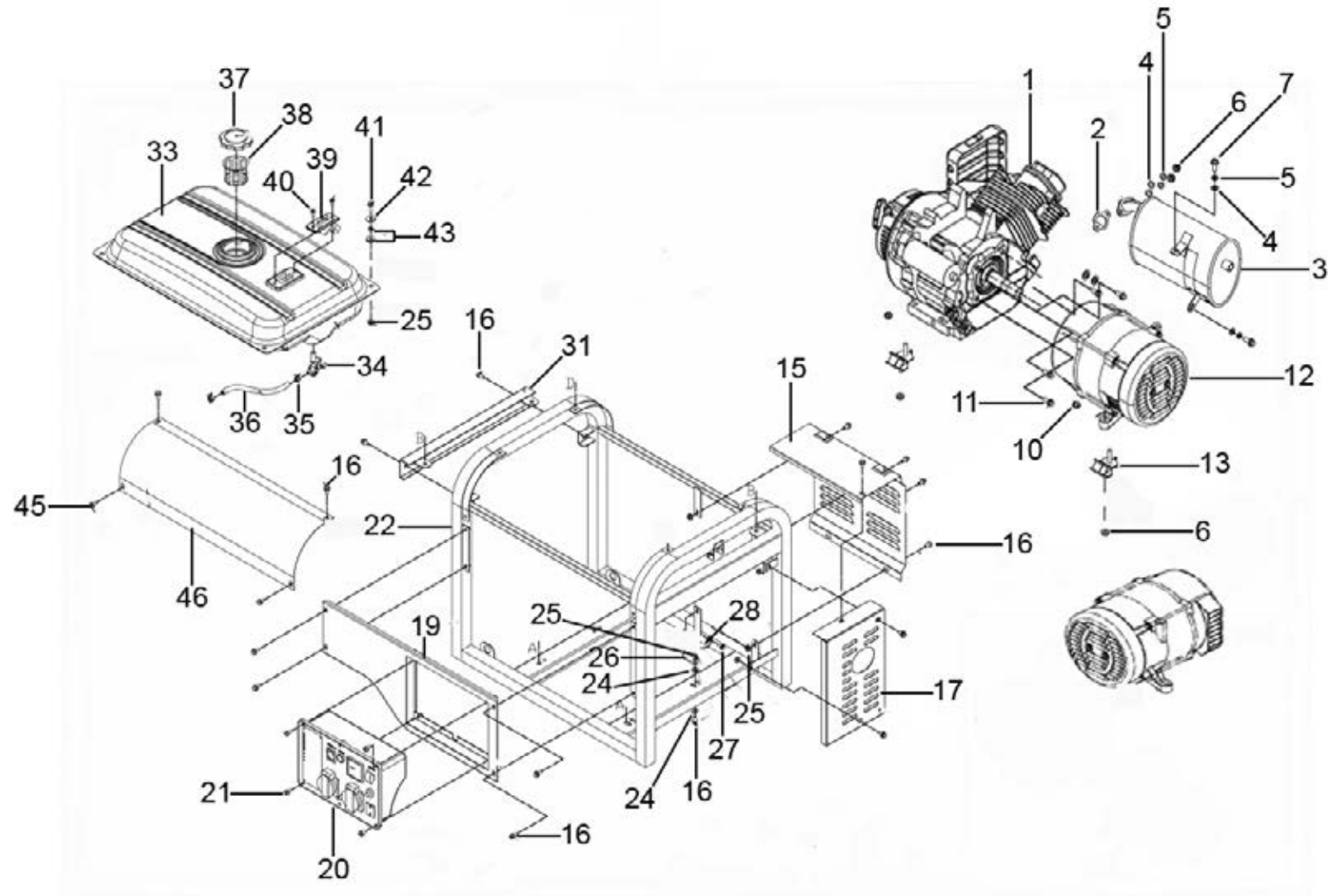




Parts Information:  
**Generator 2800W 110/230V 6.5hp**  
**Model No: GG2800**



**NOTE:** It is our policy to continually improve products and as such we reserve the right to alter data, specifications and component parts without prior notice.

There may be alternative versions of this product, please contact us should you require this information.

**IMPORTANT:** No liability is accepted for incorrect use of product. Spare parts must be fitted by a competent person

**WARRANTY:** Guarantee is 12 months from purchase date, proof of which will be required for any claim.

Sealey Group, Kempson Way, Suffolk Business Park, Bury St Edmunds, Suffolk. IP32 7AR



01284 757500



01284 703534



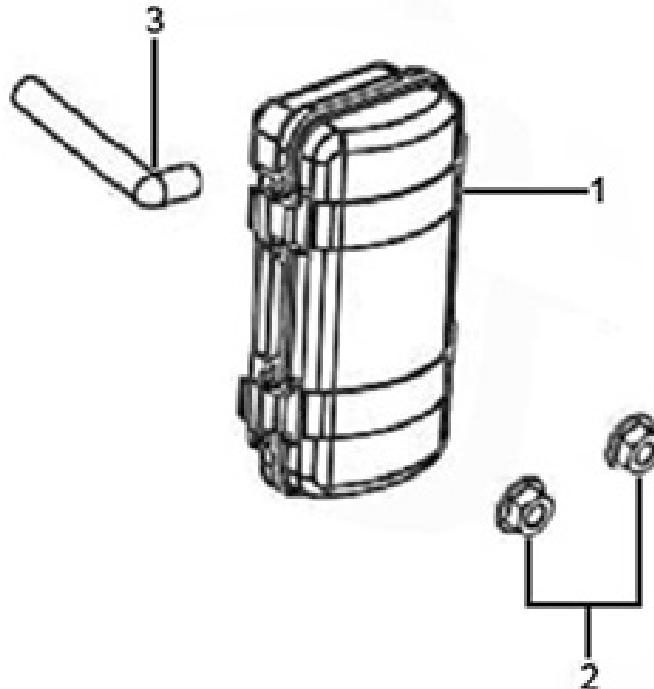
sales@sealey.co.uk



www.sealey.co.uk

Item	Part No.	Description
1	GG2800.01	Engine
2	GG2800.02	Washer, Muffler
3	GG2800.03	Muffler
4	FWM8.S	Flat Washer M8
5	SWM8.S	Spring Washer M8
6	FN8.S	Flange Nut, Serrated M8
7	SFS820.S	Hex Head Flange Bolt M8 x 20mm
10	SN8.S	Steel Nut M8
11	SFS825.S	Hex Head Flange Bolt M8 x 25mm
12	GG2800.12	Alternator Assembly
13	GG2800.13	Shock Absorber
15	GG2800.15	Muffler Cover
16	SFS612.S	Hex Head Flange Bolt M6 x 12mm
17	GG2800.17	Muffler Cover (Side)
19	GG2800.19	Panel, Control Board
20	GG2800.20	Control Panel Assembly
21	MSP612.S	Machine Screw Pan Head Phillips M6 x 12mm
22	GG2800.22	Frame
24	SM1304.08	Ext Tooth Washer M6
25	FN6.S	Flange Nut, Serrated M6
26	GG2800.26	Wire

Item	Part No.	Description
27	HFC08.20	Flange Bolt M8 x 12mm
28	GG2800.28	Gasket
31	GG2800.31	Side Bar, Upper
33	GG2800.33	Fuel Tank, 15L
34	GG3800.32	Fuel Cut Out (c/w Seal + Filter)
35	GG2800.35	Clamp
36	GG2800.36	Fuel Pipe
37	GG2800.37	Fuel Tank Cap Assembly
38	GG2800.38	Filter Cup
39	GG2800.39	Control Panel
40	MSC512.S	Csk Phillips Machine Screw M5 x 12mm
41	SFS625.S	Hex Head Flange Bolt M6 x 25mm
42	RW619.S	Repair Washer M6 x 19
43	GG2800.43	Shock Absorber
46	GG2800.46	Upper Panel
--	GG2800.47	Front Cover (Not Shown)
--	GG2800.48	Alternator End Plate (Not Shown)
--	GG2800.49	Alternator Bolts (Not Shown)
--	GG2800.L	Labels (Not Shown)
--	GG2800.R	Rotor (Not Shown)
--	GG2800.S	Stator (Not Shown)



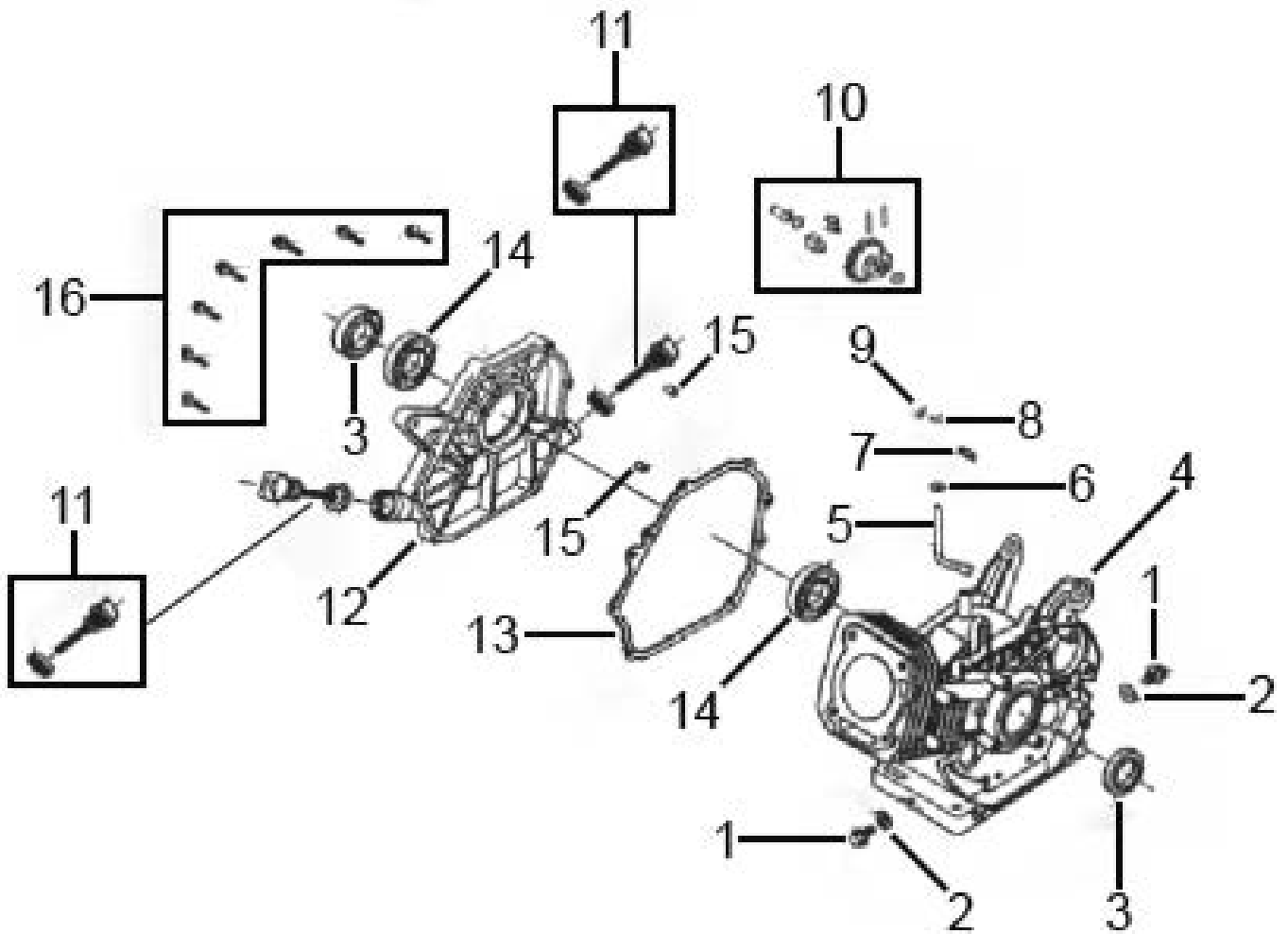
Item	Part No.	Description
1	GG2800.AC1	Air Cleaner Assembly
2	FN6.S	Flange Nut Serrated M6

Item	Part No.	Description
3	GG2800.AC3	Air Pipe

**NOTE:** It is our policy to continually improve products and as such we reserve the right to alter data, specifications and component parts without prior notice. There may be alternative versions of this product, please contact us should you require this information.

**IMPORTANT:** No liability is accepted for incorrect use of product. Spare parts must be fitted by a competent person

**WARRANTY:** Guarantee is 12 months from purchase date, proof of which will be required for any claim.



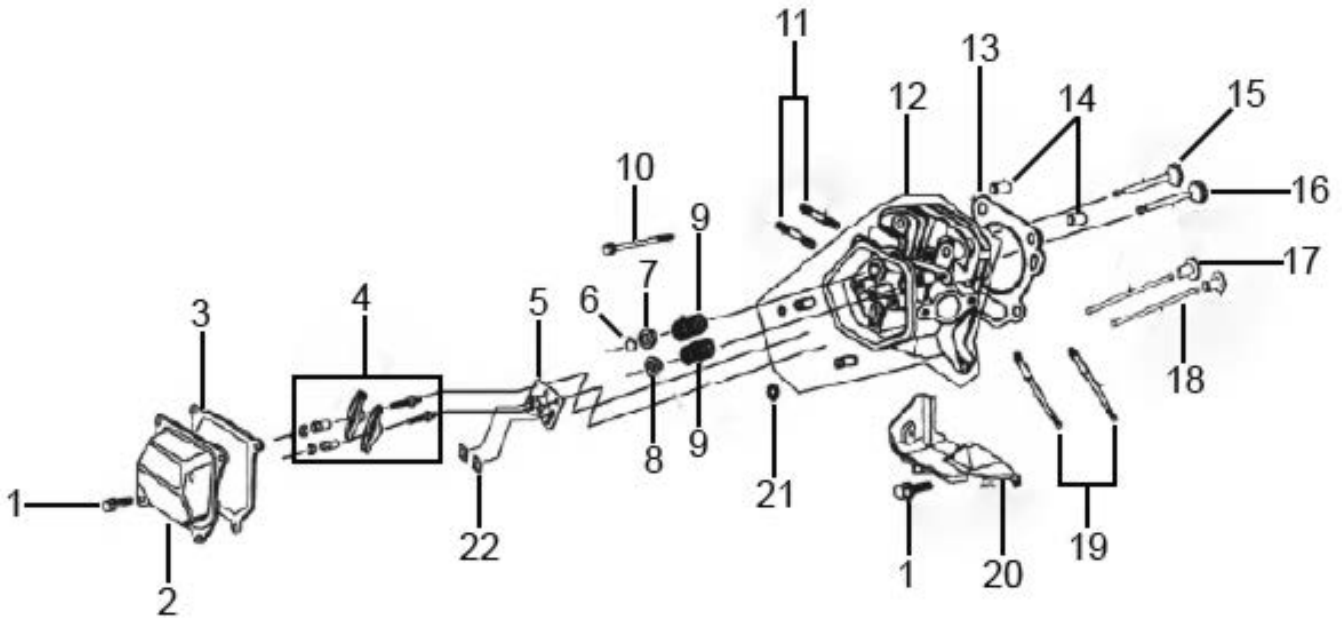
Item	Part No.	Description
1	GG2800.CC1	Drain Plug
2	GG2800.CC2	Copper Washer, Drain Plug
3	GG2800.CC3	Oil seal, Crankshaft
4	GG2800.CC4	Crankcase
5	GG2800.CC5	Regulating Bar
6	RW619.S	Repair Washer M6 x 19mm
7	GG2800.CC7	R-Clip
8	GG2800.CC8	Regulating Shaft

Item	Part No.	Description
9	GG2800.CC9	Snap Ring
10	GG2800.CC10	Drive Gear Assembly
11	GG2800.CC11	Dipstick (c/w Seal)
12	GG2800.CC12	Crankcase Cover
13	GG2800.CC13	Crankcase Gasket
14	B/6205	Bearing
15	GG2800.CC15	Set Pin
16	SFS834.S	Hex Head Flange Bolt M8 x 34mm

**NOTE:** It is our policy to continually improve products and as such we reserve the right to alter data, specifications and component parts without prior notice. There may be alternative versions of this product, please contact us should you require this information.

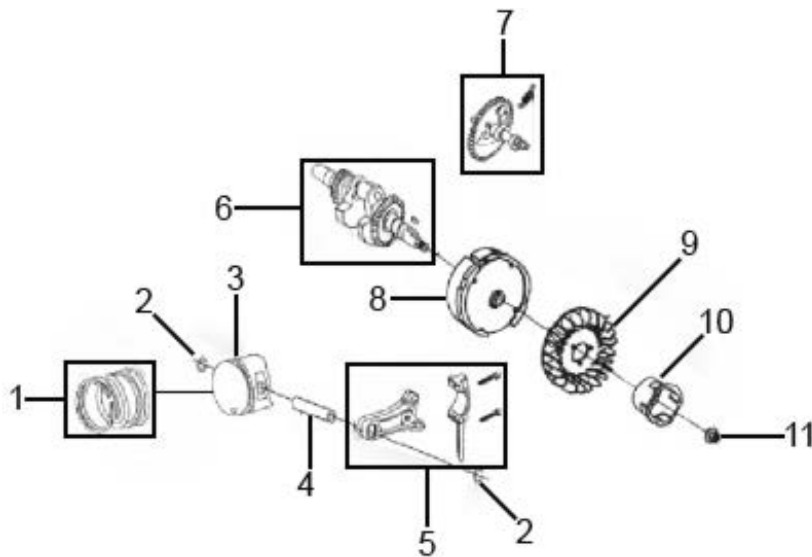
**IMPORTANT:** No liability is accepted for incorrect use of product. Spare parts must be fitted by a competent person

**WARRANTY:** Guarantee is 12 months from purchase date, proof of which will be required for any claim.



Item	Part No.	Description
1	SFS612.S	Hex Head Flange Bolt M6 x 12mm
2	GG2800.CH2	Cylinder Head Cover
3	GG2800.CH3	Gasket, Cylinder Head Cover
4	GG2800.CH4	Valve Rocker Assembly
5	GG2800.CH5	Push Guide
6	GG2800.CH6	Cap
7	GG2800.CH7	Exhaust Spring Seat
8	GG2800.CH8	Intake Spring Seat
9	GG2800.CH9	Valve Spring
10	SFS860.S	Hex Head Flange Bolt M8 x 60mm
11	GG2800.CH11	Stud

Item	Part No.	Description
12	GG2800.CH12	Cylinder Head Assembly
13	GG2800.CH13	Cylinder Head Gasket
14	GG2800.CH14	Set Pin
15	GG2800.CH15	Exhaust Valve
16	GG2800.CH16	Intake Valve
17	GG2800.CH17	Tappet
18	GG2800.CH18	Pusher
19	GG2800.CH19	Stud
20	GG2800.CH20	Cover
21	GG2800.CH21	Oil Seal, Pipe
22	GG2800.CH22	Lining, Nylon



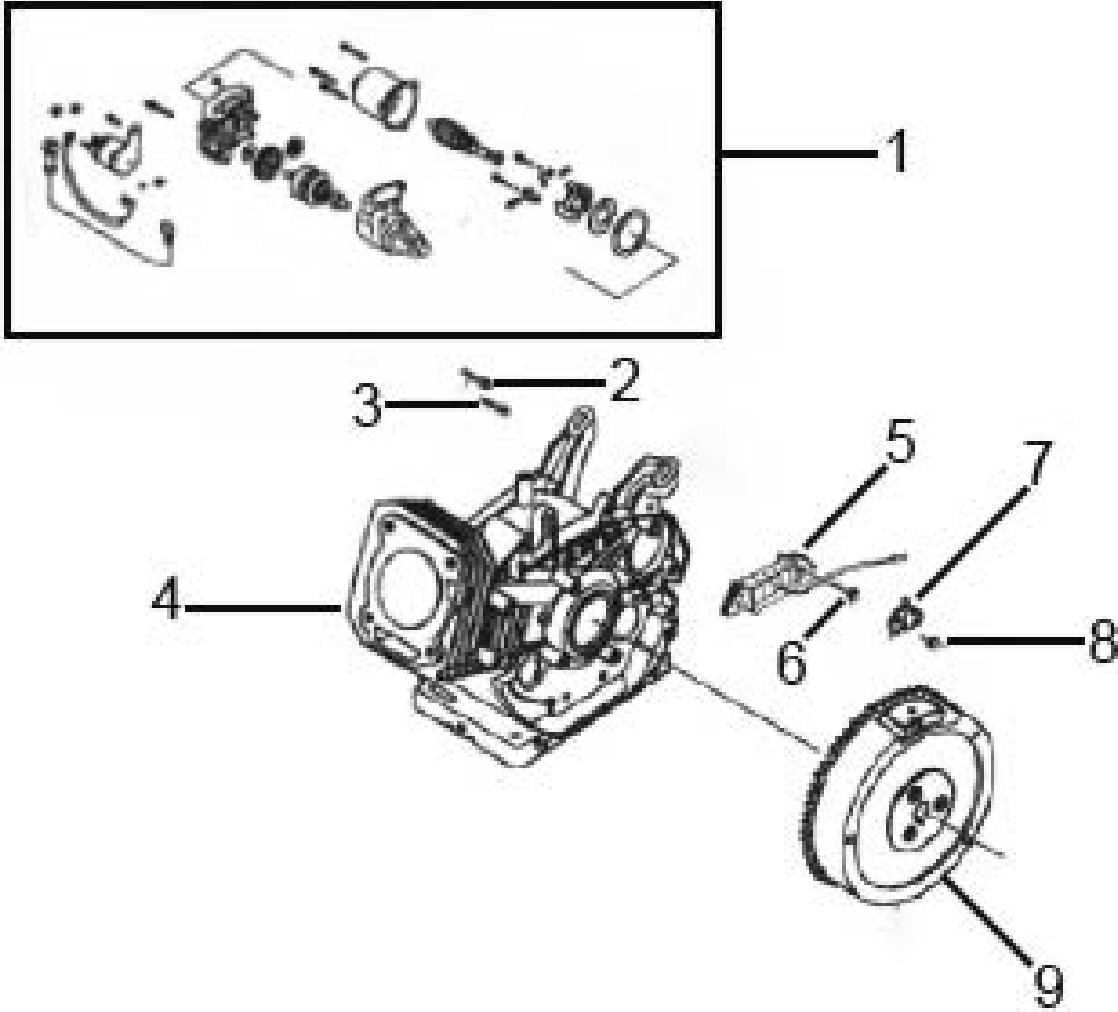
**NOTE:** It is our policy to continually improve products and as such we reserve the right to alter data, specifications and component parts without prior notice. There may be alternative versions of this product, please contact us should you require this information.

**IMPORTANT:** No liability is accepted for incorrect use of product. Spare parts must be fitted by a competent person

**WARRANTY:** Guarantee is 12 months from purchase date, proof of which will be required for any claim.

Item	Part No.	Description
1	GG2800.CS1	Piston Ring Set
2	GG2800.CS2	Piston Pin Circlip
3	GG2800.CS3	Piston
4	GG2800.CS4	Piston Pin
5	GG2800.CS5	Connect Rod Assembly
6	GG2800.CS6	Crankshaft Assembly

Item	Part No.	Description
7	GG2800.CS7	Camshaft Assembly
8	GG2800.CS8	Flywheel
9	GG2800.CS9	Fan, Flywheel
10	GG2800.CS10	Starting Flange
11	GG2800.CS11	Flange Nut M14 x 1.5mm



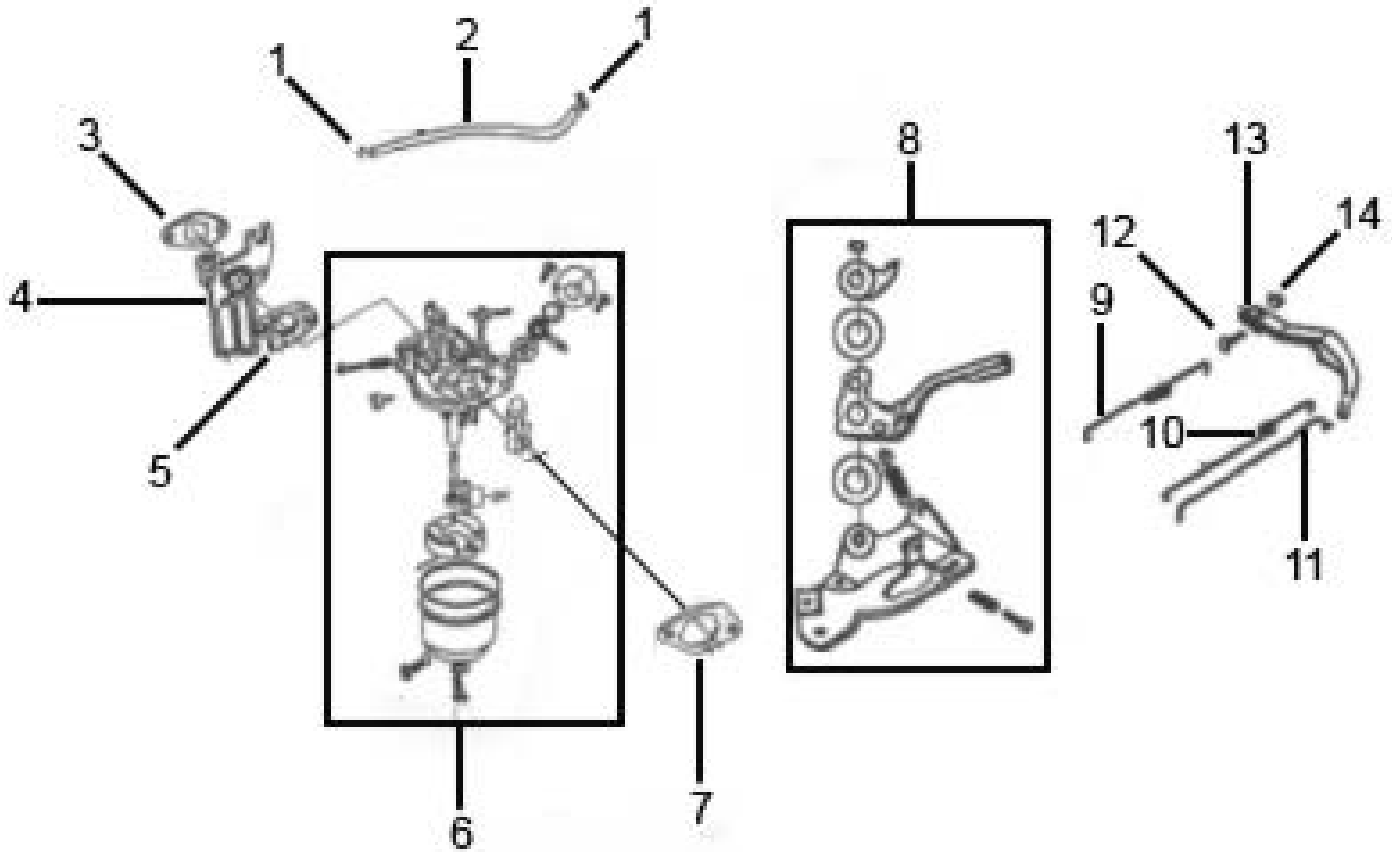
Item	Part No.	Description
1	GG2800.ES1	Starting Motor Assembly
2	GG2800.ES2	Bolt M6 x 32mm
3	GG2800.ES3	Flange Bolt M6 x 32mm
4	GG2800.ES4	Crankcase
5	GG2800.ES5	Relay

Item	Part No.	Description
6	SFS635.S	Hex Head Flange Bolt M6 x 35mm
7	GG2800.ES7	Cord Clamp
8	SFS612.S	Hex Head Flange Bolt M6 x 12mm
9	GG2800.ES9	Flywheel

**NOTE:** It is our policy to continually improve products and as such we reserve the right to alter data, specifications and component parts without prior notice. There may be alternative versions of this product, please contact us should you require this information.

**IMPORTANT:** No liability is accepted for incorrect use of product. Spare parts must be fitted by a competent person

**WARRANTY:** Guarantee is 12 months from purchase date, proof of which will be required for any claim.



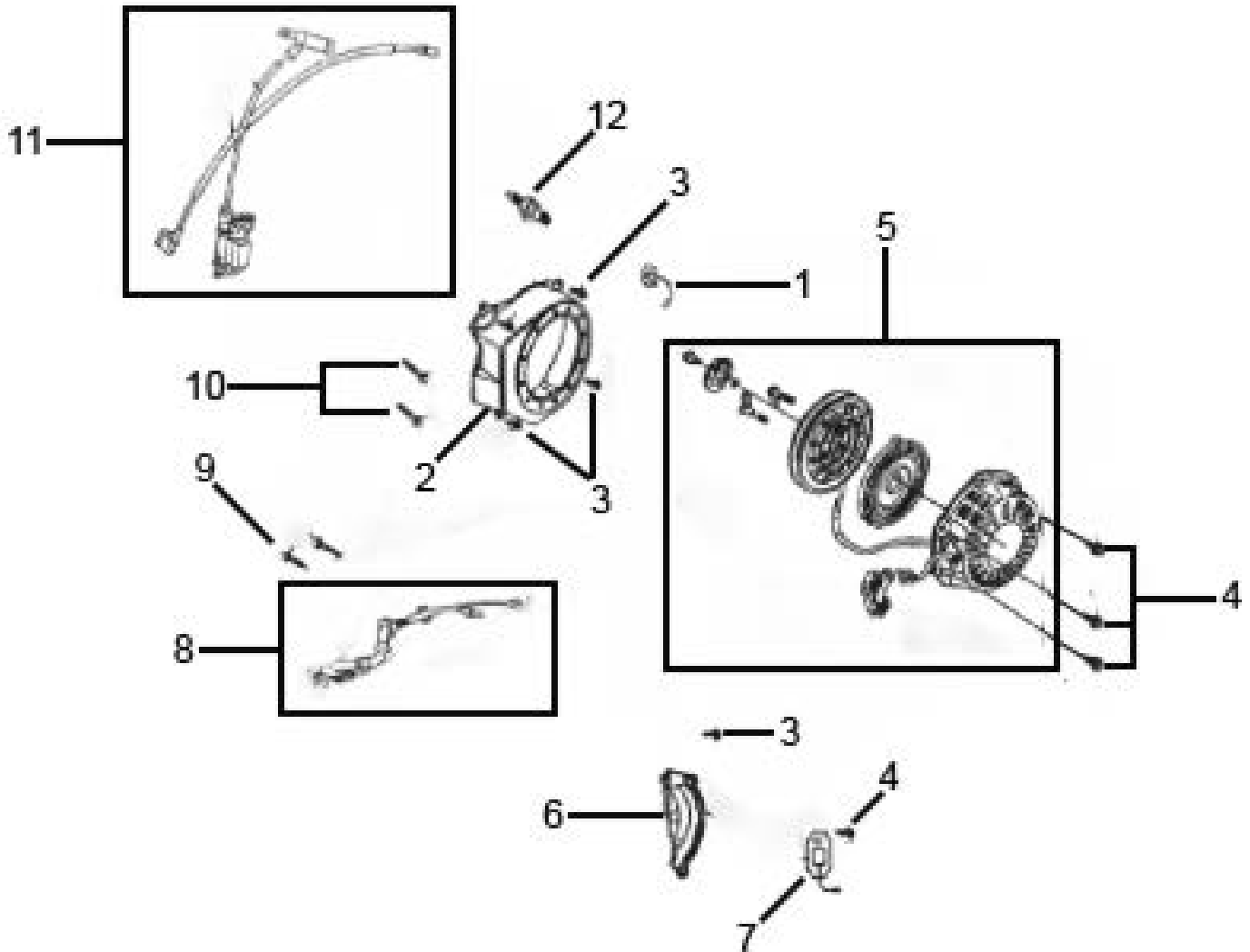
Item	Part No.	Description
1	GG2800.FS1	Pipe Clamp
2	GG2800.FS2	Fuel Pipe
3	GG2800.FS3	Inlet Gasket
4	GG2800.FS4	Connecting Block
5	GG2800.FS5	Carburetor Gasket
6	GG2800.FS6	Carburetor Assembly
7	GG2800.FS7	Gasket, Air Cleaner

Item	Part No.	Description
8	GG2800.FS8	Regulator Assembly
9	GG2800.FS9	Back Spring
10	GG2800.FS10	Regulating Spring
11	GG2800.FS11	Pulling Rod
12	EWP050.FS12	Lock Bolt
13	GG2800.FS13	Regulating Arm
14	FN6.S	Flange Nut, Serrated M6

**NOTE:** It is our policy to continually improve products and as such we reserve the right to alter data, specifications and component parts without prior notice. There may be alternative versions of this product, please contact us should you require this information.

**IMPORTANT:** No liability is accepted for incorrect use of product. Spare parts must be fitted by a competent person

**WARRANTY:** Guarantee is 12 months from purchase date, proof of which will be required for any claim.



Item	Part No.	Description
1	GG7500.RS1	Power Switch, Rocker
2	GG2800.RS2	Fan Cover Assembly
3	SFS612.S	Hex Head Flange Bolt M6 x 12mm
4	SFS68.S	Hex Head Flange Bolt M6 x 8mm
5	EWP050.RS5	Recoil Starter Assembly
6	GG2800.RS6	Shroud Comp

Item	Part No.	Description
7	GG2800.RS7	Diode
8	GG2800.RS8	Oil Sensor
9	SFS614.S	Hex Head Flange Bolt M6 x 14mm
10	SFS622.S	Hex Head Flange Bolt M6 x 22mm
11	GG2800.RS11	Ignition Coil Assembly
12	GG7500.RS11	Spark Plug

**NOTE:** It is our policy to continually improve products and as such we reserve the right to alter data, specifications and component parts without prior notice. There may be alternative versions of this product, please contact us should you require this information.

**IMPORTANT:** No liability is accepted for incorrect use of product. Spare parts must be fitted by a competent person

**WARRANTY:** Guarantee is 12 months from purchase date, proof of which will be required for any claim.