

Thank you for purchasing a Sealey product. Manufactured to a high standard this product will, if used according to these instructions and properly maintained, give you years of trouble free performance.

**IMPORTANT: PLEASE READ THESE INSTRUCTIONS CAREFULLY. NOTE THE SAFE OPERATIONAL REQUIREMENTS, WARNINGS & CAUTIONS. USE THE PRODUCT CORRECTLY AND WITH CARE FOR THE PURPOSE FOR WHICH IT IS INTENDED. FAILURE TO DO SO MAY CAUSE DAMAGE OR PERSONAL INJURY AND WILL INVALIDATE THE WARRANTY. PLEASE KEEP INSTRUCTIONS SAFE FOR FUTURE USE.**

### 1. SAFETY INSTRUCTIONS

#### 1.1 GENERAL SAFETY

**▲ DANGER! Take care when using and moving ladders in the vicinity of power cables - risk of potentially fatal electric shock.**

- **WARNING!** Ensure Health and Safety, local authority, and general workshop practice regulations are adhered to when using this equipment.
- ✓ Familiarise yourself with the application and limitations of the ladder roof hook, as well as the potential hazards.
- ✓ Maintain the equipment in good condition.
- ✓ Replace or repair damaged parts. Use genuine parts only. Unauthorised parts may be dangerous and will invalidate the warranty.
- ✓ Ensure the hooks are securely placed over the apex of the roof before placing any weight on the ladder.
- **WARNING!** Never over-reach when on the ladder.
- ✓ Keep children and unauthorised persons away from the working area.
- x **DO NOT** use the ladder roof hook for any purpose other than that for which it is designed.
- x **DO NOT** use the equipment if any parts are damaged or missing as this may cause failure and/or personal injury.
- x **DO NOT** exceed the rated capacity of the ladder roof hook.
- x **DO NOT** allow children to climb the ladder.
- x **DO NOT** use the equipment when you are tired or under the influence of alcohol, drugs or intoxicating medication.
- ✓ When not in use store in a safe, dry, childproof area.

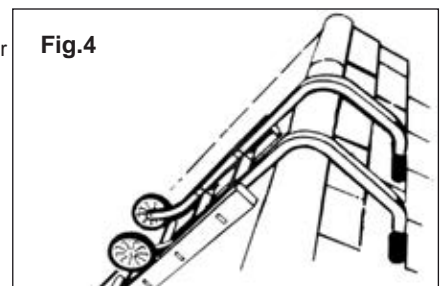
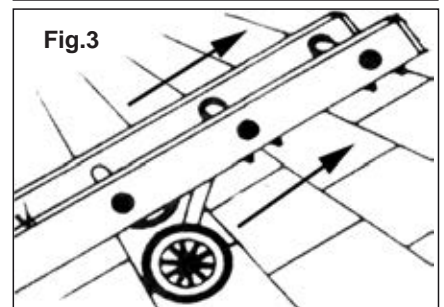
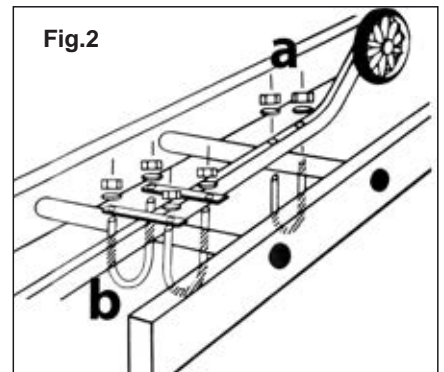
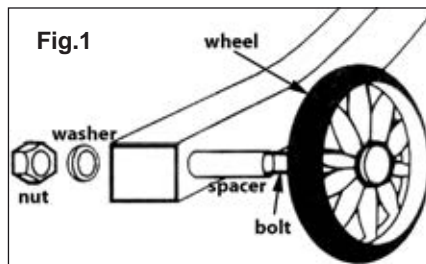
### 2. INTRODUCTION AND CONTENTS

#### 2.1 Introduction

Safe and easy way to access a roof with your ladder. Lightweight aluminium design. Suitable for trades where ladders need to be used for on-site applications. Features non-slip composite wheel and r-shape hooks with anti-slip rubber feet. Made in UK. Maximum Load: 150kg

#### 2.2 Contents

U Bolts . . . . .	6
Nuts . . . . .	14
Washers . . . . .	14
Wheel Bolts . . . . .	2
Nylon Spacers . . . . .	2
Wheels . . . . .	2
Tip Plates . . . . .	4
Roof Hooks . . . . .	2



### 3. ASSEMBLY & USE

#### 3.1 Wheel Assembly.

Assemble the wheel as pictured in Fig.1, making sure that the wheels are on the outside of the box section. Insert the bolt through the wheel spacer, then insert through the box section and secure with washer and nut (Fig.1), **DO NOT** overtighten.

#### 3.2 Attach the roof hooks to the ladder.

- 3.2.1 Place the hooks onto the ladder with the wheels facing outwards, insert one of the U bolts around the second last tread and into the box section, secure with washer and nut. (Fig.2a).
- 3.2.2 Take the other U bolts and put them around the upper tread and secure over roof hooks with plates, washer and nut see Fig.2b for detail. Before tightening slide hook across the treads to the outermost of the ladder.
- 3.2.3 Repeat with other roof hook. Position the other hook on the opposite side of the ladder (Fig.4)

3.3 Push the ladder up the roof on the wheels (Fig.3), at the ridge turn the ladder over and ensure that the T-section on the hooks rest even and not on the ridge tile but on the other side of the roof. (Fig.4).

### 4. MAINTENANCE

- 4.1 Periodically check that all nuts are tight and secure but **DO NOT** overtighten.
- 4.2 Check that the rubber feet on the T-section are in good condition and are not worn, replace if necessary.

**NOTE:** It is our policy to continually improve products and as such we reserve the right to alter data, specifications and component parts without prior notice. **IMPORTANT:** No liability is accepted for incorrect use of this product. **WARRANTY:** Guarantee is 12 months from purchase date, proof of which will be required for any claim. **INFORMATION:** For a copy of our latest catalogue call us on 01284 757525 and leave your full name and address, including postcode.

