



# MOBILE WORKSTATION 16 DRAWER WITH BALL BEARING RUNNERS

MODEL NO: **AP24216**

Thank you for purchasing a Sealey product. Manufactured to a high standard, this product will, if used according to these instructions, and properly maintained, give you years of trouble free performance.

**IMPORTANT:** PLEASE READ THESE INSTRUCTIONS CAREFULLY. NOTE THE SAFE OPERATIONAL REQUIREMENTS, WARNINGS & CAUTIONS. USE THE PRODUCT CORRECTLY AND WITH CARE FOR THE PURPOSE FOR WHICH IT IS INTENDED. FAILURE TO DO SO MAY CAUSE DAMAGE AND/OR PERSONAL INJURY AND WILL INVALIDATE THE WARRANTY. KEEP THESE INSTRUCTIONS SAFE FOR FUTURE USE.



Refer to instruction manual

## 1. SAFETY

- WARNING!** Ensure Health & Safety, local authority and general workshop practice regulations are adhered to when using this product.
- DO NOT** open more than one drawer at a time.
- DO NOT** step on the drawers.
- DO NOT** let children near the tool chest.
- DO NOT** use in damp areas.
- Ensure drawers are fully closed and the self locking catch is activated before moving the tool chest.
- Keep the work area clean and ensure there is adequate lighting.
- WARNING!** The warnings, cautions and referred to in this instruction manual cannot cover all possible conditions and situations that may occur. It must be understood that common sense and caution are factors that can not be built into this product, but must be applied by the operator.

## 2. INTRODUCTION

Heavy gauge steel with double wall construction for extra strength and durability. Ball bearing drawer runners provide superior performance and carry heavier loads. Each drawer fitted with catch to prevent unexpected opening, when being transported around the workshop. Added security provided by side mounted cylinder locks, supplied with two keys. Recessed handles permit units to be slotted in work environments where space is tight. Rust and solvent resistant powder coat paint finish. Fitted with anti-shock protection on all four corners to prevent accidental damage. Tough composite top allows these units to be used as a workstation. Comprehensive range of accessories available.

## 3. SPECIFICATION

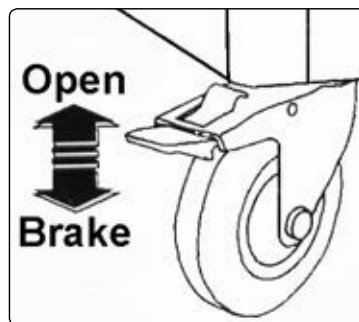
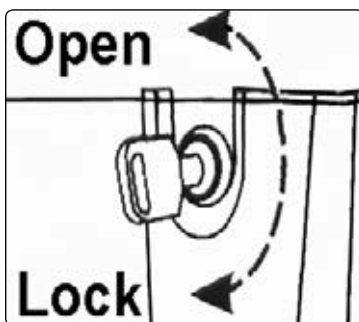
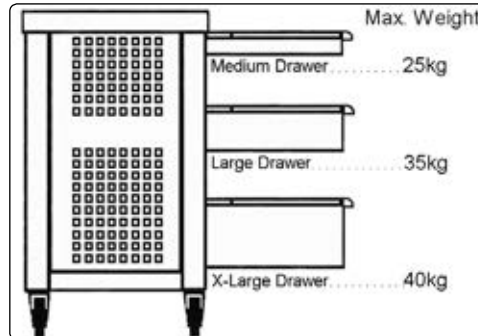
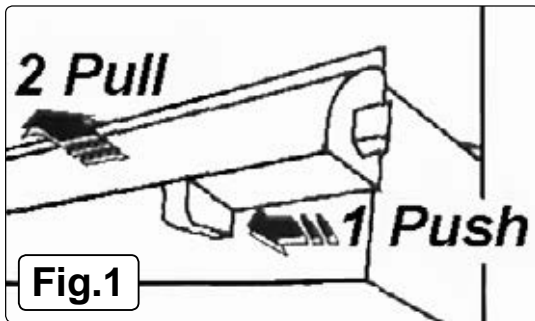
Model No.	AP24216	
Dimensions	(W x D x H)	
Overall Size	1130 x 565 x 1000	
Drawers	Qty	
Medium Drawer	6	535 x 400 x 60
Large Drawer	2	535 x 400 x 130
Medium 1/2 Drawer	6	270 x 400 x 60
Large 1/2 Drawer	2	270x 400 x 130

Optional Accessories	
Model No.	Description
AP24ACC2	Side Shelf with Paper Roll Holder
AP24ACC3	Document Holder
AP24ACC4	Waste Bin
AP24ACC5	Can and Bottle Holder
AP24ACC6	Drawer Divider 3 x 395 x 58mm
AP24ACC7	Drawer Divider 3 x 395 x 120mm
AP24ACC9	Short Hook Set x 10pcs
AP24ACC10	Medium Hook Set x 10pcs



## 4. OPERATION

- 4.1. Each drawer is fitted with a catch mechanism on the right hand side of the drawer underneath the handle, to open drawer push the catch to the left to release the catch and pull the drawer open (Fig.1).
- ❑ **WARNING!** Only open one drawer at a time and **DO NOT** overload the drawers (Fig.2).
- 4.2. When moving the workstation, ensure that the drawers are closed and locked (Fig.3) to prevent accidental opening, release the brakes as shown in Fig.4 and move the workstation using the handles and maintain full control. When the workstation has been moved to the required location, lock the brakes.
- ❑ **WARNING! DO NOT** move across slopes of more than 5 degrees as the workstation may tilt.



Parts support is available for this product. Please email [sales@sealey.co.uk](mailto:sales@sealey.co.uk) or telephone 01284 757500



### ENVIRONMENT PROTECTION

Recycle unwanted materials instead of disposing of them as waste. All tools, accessories and packaging should be sorted, taken to a recycling centre and disposed of in a manner which is compatible with the environment. When the product becomes completely unserviceable and requires disposal, drain any fluids (if applicable) into approved containers and dispose of the product and fluids according to local regulations.

**Note:** It is our policy to continually improve products and as such we reserve the right to alter data, specifications and component parts without prior notice.

**Important:** No Liability is accepted for incorrect use of this product.

**Warranty:** Guarantee is 12 months from purchase date, proof of which is required for any claim.

Sealey Group, Kempson Way, Suffolk Business Park, Bury St Edmunds, Suffolk. IP32 7AR



01284 757500



01284 703534



[sales@sealey.co.uk](mailto:sales@sealey.co.uk)



[www.sealey.co.uk](http://www.sealey.co.uk)