

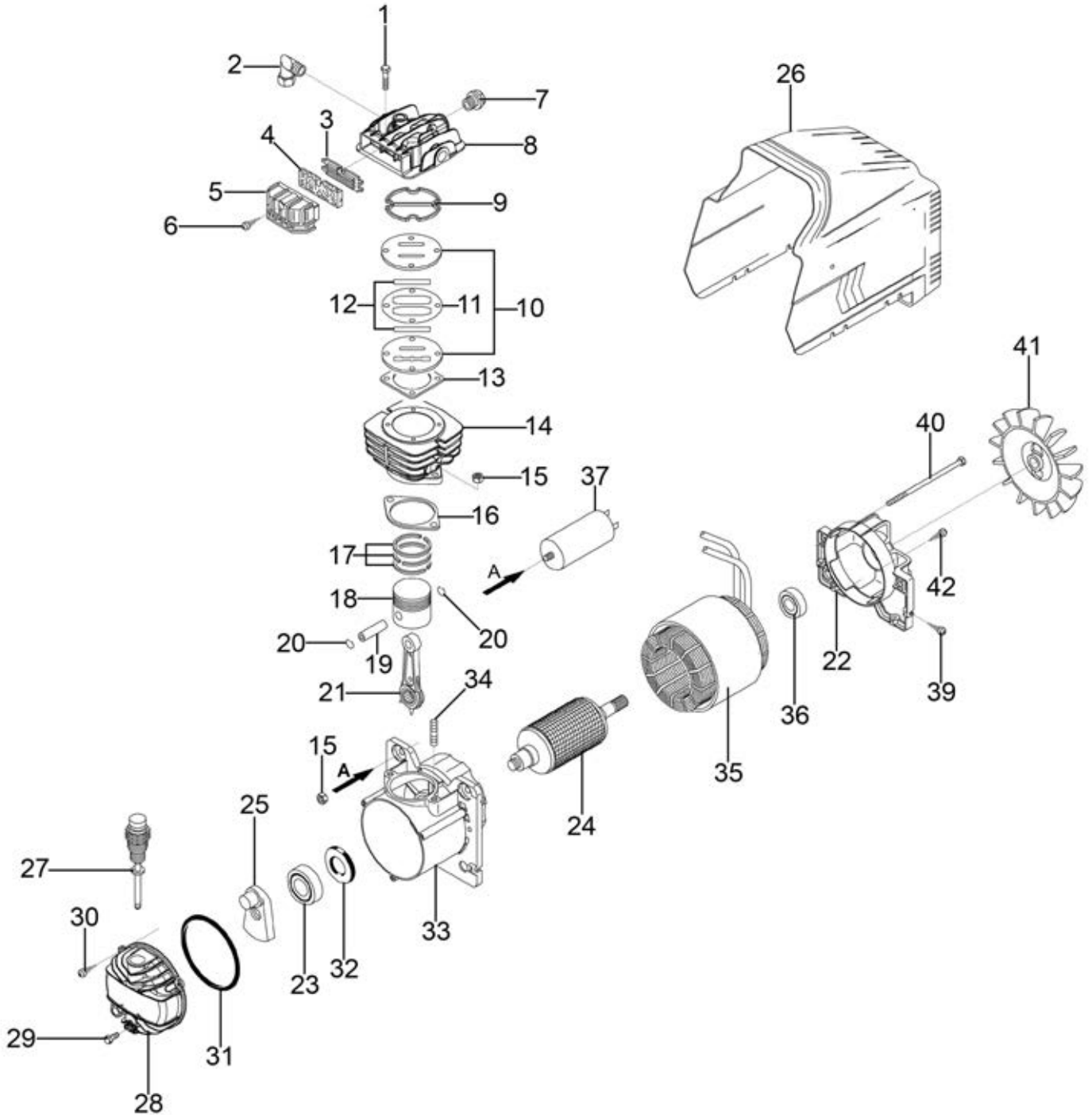
Item	Part No.	Description
1	SA2415.01	Pump Assembly
1A	SAC7181060000	Dipstick
50	SA5020.50	Tank
51	SAC9100010750	Plug
52	SAC7360040000	Rubber Foot
53	SAC9700000324	Drain Valve
54	SA2415.54A	Wheel (c/w Fixings)
55	SA5020.55	Screw M10 x 75mm
56	SN10.S	Steel Nut M10
57	FWM10.S	Flat Washer M10
58	SA2415.58	Screw M5 x 20mm
60	SAC9700001763	Non Return Valve
61	SAC7230010000	Rislan Hose

Item	Part No.	Description
62	SAC9700000327	Nut
63	SA5020.63	Infeed Hose
64	SA2415.64	Nut, Pipe Connector
65	SAC7041070000	Olive
66	SA2415.66	Safety Valve
67	SAC9700001698	Pressure Switch
68	SAC7081090000	Union
69	SAC9700001715	Pressure Reducer
70	SA2415.70	Hi-Flow Coupling
71	SAC9700001789	Pressure Gauge 230 psi
72	SAC9700001788	Pressure Gauge 240 psi
100	SA2415.100	Pressure Switch Kit

NOTE: It is our policy to continually improve products and as such we reserve the right to alter data, specifications and component parts without prior notice. There may be alternative versions of this product, please contact us should you require this information.

IMPORTANT: No liability is accepted for incorrect use of product. Spare parts must be fitted by a competent person

WARRANTY: Guarantee is 12 months from purchase date, proof of which will be required for any claim.



NOTE: It is our policy to continually improve products and as such we reserve the right to alter data, specifications and component parts without prior notice. There may be alternative versions of this product, please contact us should you require this information.

IMPORTANT: No liability is accepted for incorrect use of product. Spare parts must be fitted by a competent person

WARRANTY: Guarantee is 12 months from purchase date, proof of which will be required for any claim.



Parts Information:
Compressor 50L Direct Drive 2hp
Model No: SA5020

Item	Part No.	Description
1	SA2415.P01	Hex Head Bolt M6 x 40mm
2	SAC7084040000	Elbow (c/w Nut & Olive)
3	SAC7458340000	Plate
4	SAC7210010000	Filter Element
5	SAC7210430000	Intake Filter
6	SAC7012100000	Rd Head S/T Screw M3.8 x 15mm
7	SA2415.P07	Valve
8	SA2415.P08	Cylinder Head Assembly
9	SA2415.P09	Gasket
10	SAC9100010240	Valve Plate
11	SA2415.P11	Gasket
12	SA2415.P12	Split Valve
13	SA2415.P13	Gasket
14	SA2415.P14	Cylinder
15	SN8.S	Steel Nut M8
16	SAC7078150000	Gasket
17	SA2415.P17	Piston Rings (Set of 3)
18	SA2415.P18	Piston
19	SA2415.P19	Piston Pin
20	SA2415.P20	Circlip
21	SAC5050150008	Con-Rod
22	SA2415.P22	Cover
23	B/6204	Bearing

Item	Part No.	Description
24	SA2415.P24	Rotor
25	SA2415.P25	Shaft
26	SA2415.P26	Pump Cover
27	SAC7181060000	Dipstick
28	SA2415.P28	End Cover
29	SA2415.P29	Screw M6 x 12mm
30	MSP516.S	Machine Screw Pan Head Phillips M5 x 16mm
31	SA2415.P31	O-Ring
32	SAC9100270150	Oil Seal
33	SA2415.P33	Crankcase
34	SAC9100010050	Stud Bolt, Double Ended M8
35	SA2415.P35	Motor
36	B/6203-2RS	Bearing
37	SAC9700001765	Capacitor
39	SA2415.58	Screw M5 x 20mm
40	SAC9100010060	Tension Rod
41	SAC9100010200	Fan
42	SA2415.P42	Screw M4 x 8mm
--	SAC9700010186	Washer (Not Shown)
--	SA2415.P100	Valve Kit (Not Shown)
--	SA2415.P101	Con-Rod/Piston Kit (Not Shown)
--	SA2415.P102	Gasket Kit (Not Shown)

NOTE: It is our policy to continually improve products and as such we reserve the right to alter data, specifications and component parts without prior notice. There may be alternative versions of this product, please contact us should you require this information.

IMPORTANT: No liability is accepted for incorrect use of product. Spare parts must be fitted by a competent person

WARRANTY: Guarantee is 12 months from purchase date, proof of which will be required for any claim.

Sealey Group, Kempson Way, Suffolk Business Park, Bury St Edmunds, Suffolk. IP32 7AR



01284 757500



01284 703534



sales@sealey.co.uk



www.sealey.co.uk