

NOTE: It is our policy to continually improve products and as such we reserve the right to alter data, specifications and component parts without prior notice. There may be alternative versions of this product, please contact us should you require this information.

IMPORTANT: No liability is accepted for incorrect use of product. Spare parts must be fitted by a competent person

WARRANTY: Guarantee is 12 months from purchase date, proof of which will be required for any claim.



Parts Information:
Compressor 24ltr Direct Drive 1.5hp
Model No: SA2415

Item	Part No.	Description
1	SA2415.01	Pump Complete For Air Comp /Cover Included.
1A	SAC7181060000	Dipstick
50	SA2415.50	Tank 24ltr
51	SAC9100010750	Plug
52	SA2415.52	Rubber Foot
53	SAC9700000324	Drain Valve 3/4"bsp Male
54	SA2415.54	Wheel, Fixed Plastic (D:120 W:31 B:15)
55	SA2415.55	Wheel Stub Axle (M10x60)
56	SN10.S	Steel Nut M10 Zinc
57	FWM10.S	Flat Washer M10 Zinc
58	SA2415.58	Screw (5x20)
60	SAC9700001763	Non Return Valve
61	SAC7230010000	Rislan Hose (Sold Per 1 Metre)

Item	Part No.	Description
62	SAC9700000327	Nut
63	SA2415.63	Infeed Hose
64	SA2415.64	Nut Pipe Connector
65	SAC7041070000	Olive (10mm id)
66	SA2415.66	Safety Valve 9 Bar
67	SAC9700001698	Pressure Switch 16/20amp 12bar 175psi
68	SAC7081090000	Union 1/4"bsp m-1/4"bsp m l:25mm
69	SAC9700001715	Pressure Reducer
70	SA2415.70	Hi-Flow Coupling
71	SAC9700001789	Pressure Gauge 230 psi, 50mm od, Rear Fitting
72	SAC9700001788	Pressure Gauge 240psi, 40mm od, Rear Fitting
100	SA2415.100	Pressure Switch Kit 16/20amp 12bar 175psi
--	SA2415.54A	Wheel, Fixed, Plastic W/Fixings (D:150 W:28 B:15)

Item	Part No.	Description
1	SA2415.P01	Hex Head Bolt M6x40
2	SAC7084040000	Elbow 3/8"BSP Male-10mm Pipe(C/w Nut & Olive)
3	SAC7458340000	Plate
4	SAC7210010000	Filter Element
5	SAC7210430000	Intake Filter
6	SAC7012100000	Rd Head S/T Screw M3.8 X 15
7	SA2415.P07	Valve
8	SA2415.P08	Cylinder Head(inc Parts 2-8)
9	SA2415.P09	Gasket
10	SAC9100010240	Valve Plate (Small Circular)
11	SA2415.P11	Gasket
12	SA2415.P12	Split Valve
13	SA2415.P13	Gasket
14	SA2415.P14	Cylinder
15	SN8.S	Steel Nut M8 Zinc
16	SAC7078150000	Gasket
17	SA2415.P17	Piston Rings Set
18	SA2415.P18	Piston
19	SA2415.P19	Piston Pin
20	SA2415.P20	Internal Circlip 12.98mm OD
21	SAC5050150008	Con-Rod
22	SA2415.P22	Cover
23	B/6204	Bearing 6204

Item	Part No.	Description
24	SA2415.P24	Rotor
25	SA2415.P25	Shaft
26	SA2415.P26	Pump Cover
27	SAC7181060000	Dipstick
28	SA2415.P28	End Cover
29	SA2415.P29	Screw (M6x12)
30	MSP516.S	Machine Screw Pan Head Phillips M5 x 16mm
31	SA2415.P31	O-Ring, (Ex: 117.78 In: 110.72 Cs: 3.53)
32	SAC9100270150	Oil Seal
33	SA2415.P33	Crankcase
34	SAC9100010050	Stud Bolt M8 Double Ended
35	SA2415.P35	Motor (Internal 230v 1 Phase)
36	B/6203-2RS	Bearing 6203-2rs
37	SAC9700001765	Capacitor 25uf 450v 100x40
38	SN8.S	Steel Nut M8 Zinc
39	SA2415.58	Screw (5x20)
40	SAC9100010060	Tension Rod
41	SAC9100010200	Fan
42	SA2415.P42	Screw (M4x8)
100	SA2415.P100	Valve Kit
101	SA2415.P101	Con-Rod/Piston Kit
102	SA2415.P102	Gasket Kits
--	SAC9700010186	Washer (Not Shown)

NOTE: It is our policy to continually improve products and as such we reserve the right to alter data, specifications and component parts without prior notice. There may be alternative versions of this product, please contact us should you require this information.

IMPORTANT: No liability is accepted for incorrect use of product. Spare parts must be fitted by a competent person

WARRANTY: Guarantee is 12 months from purchase date, proof of which will be required for any claim.

Sealey Group, Kempson Way, Suffolk Business Park, Bury St Edmunds, Suffolk. IP32 7AR



01284 757500



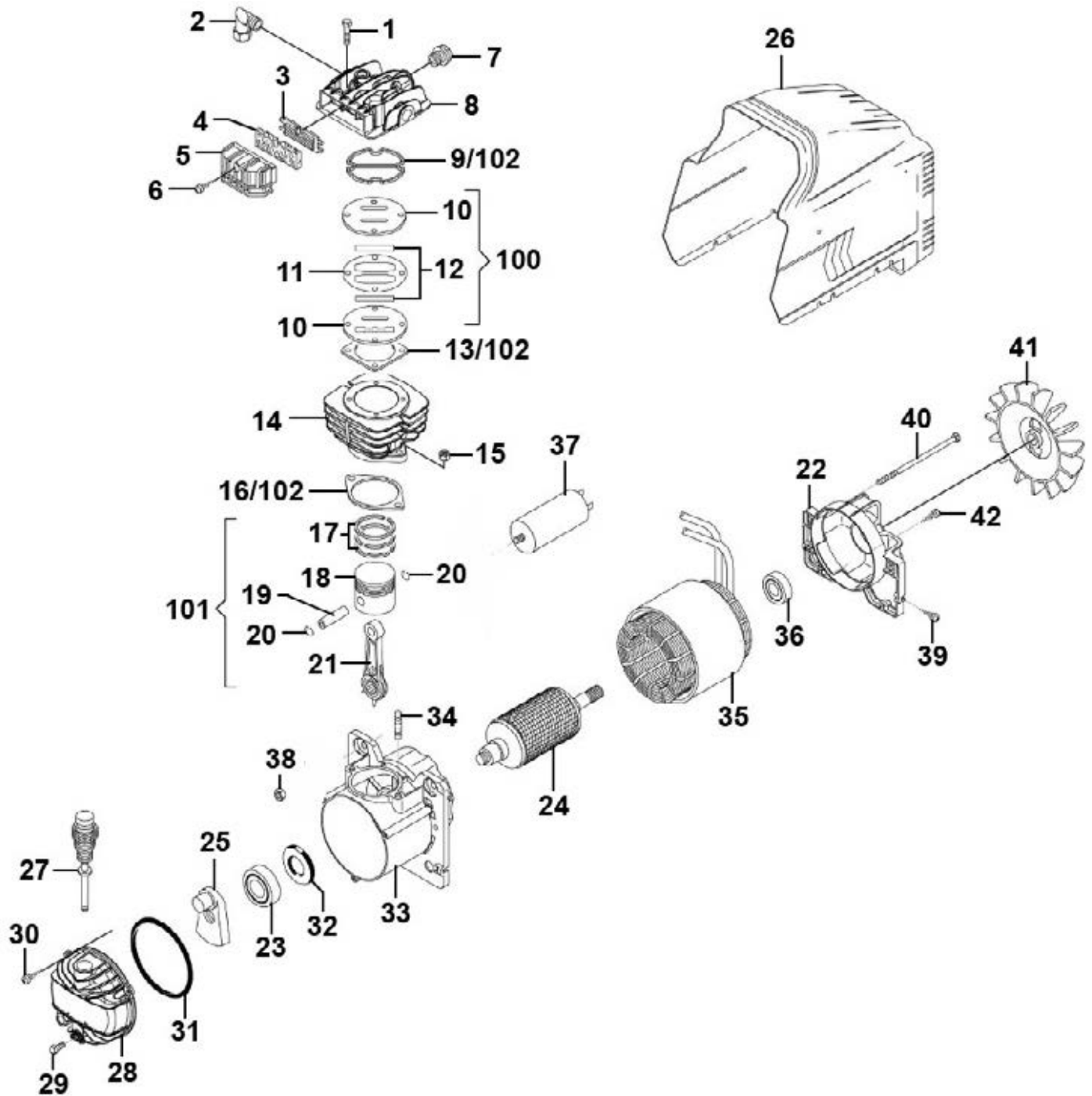
01284 703534



sales@sealey.co.uk



www.sealey.co.uk



NOTE: It is our policy to continually improve products and as such we reserve the right to alter data, specifications and component parts without prior notice. There may be alternative versions of this product, please contact us should you require this information.

IMPORTANT: No liability is accepted for incorrect use of product. Spare parts must be fitted by a competent person

WARRANTY: Guarantee is 12 months from purchase date, proof of which will be required for any claim.