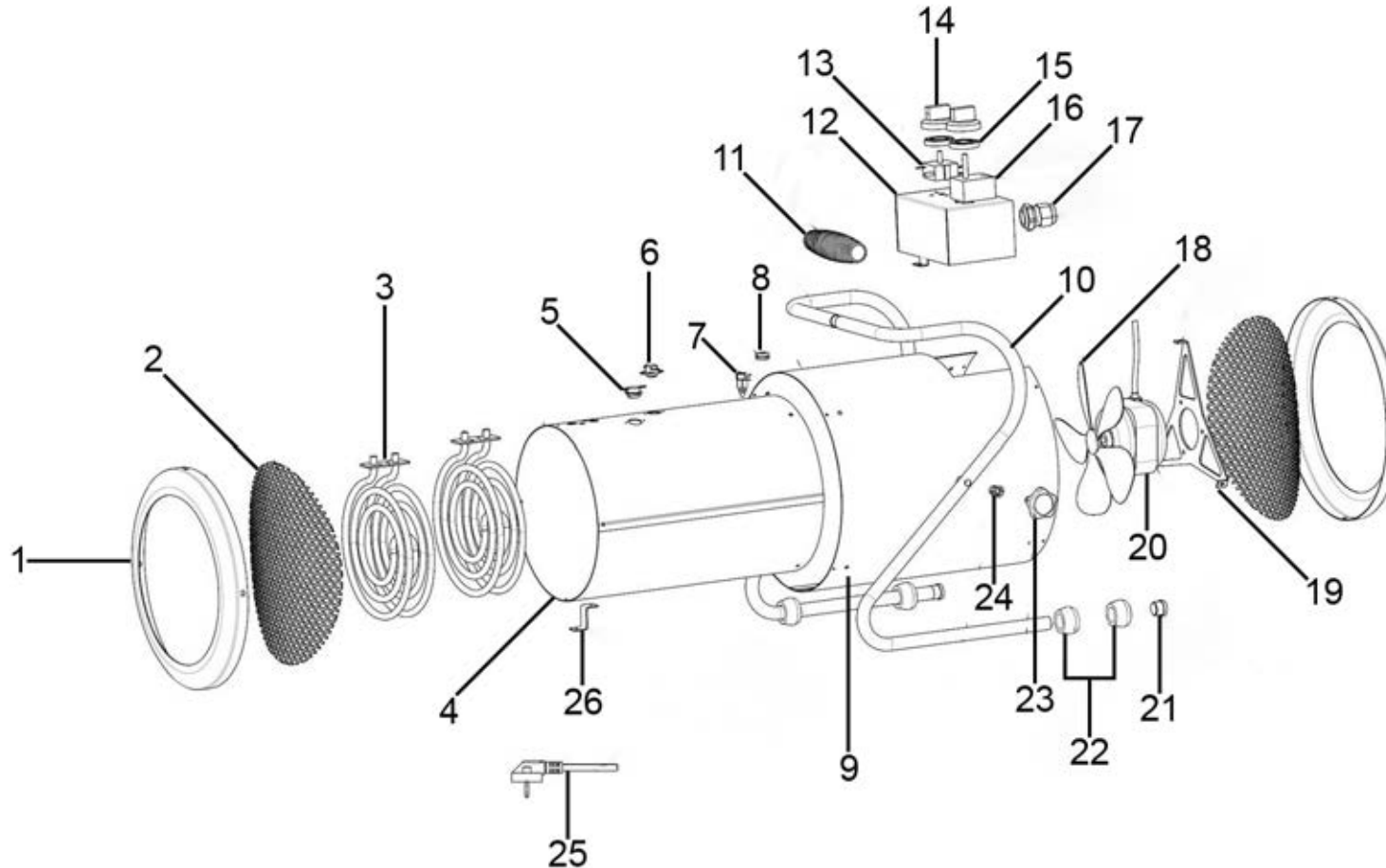




Parts Information:
Industrial Fan Heater 3kW 2 Heat Settings
Model No: EH3001



NOTE: It is our policy to continually improve products and as such we reserve the right to alter data, specifications and component parts without prior notice.

There may be alternative versions of this product, please contact us should you require this information.

IMPORTANT: No liability is accepted for incorrect use of product. Spare parts must be fitted by a competent person

WARRANTY: Guarantee is 12 months from purchase date, proof of which will be required for any claim.

Sealey Group, Kempson Way, Suffolk Business Park, Bury St Edmunds, Suffolk. IP32 7AR



01284 757500



01284 703534



sales@sealey.co.uk



www.sealey.co.uk



Parts Information:
Industrial Fan Heater 3kW 2 Heat Settings
Model No: EH3001

Item	Part No.	Description
1	EH3001.01	Cover, Grille
2	EH5001.02	Grille
3	EH3001.03	Heating Element
4	EH3001.04	Casing , Inner
5	EH5001.05	Time-Delay Thermostat
6	EH3001.06	Thermal Cut Out
7	EH15001.05	Clip, Sensor
8	EH3001.08	Wire Ring
9	EH3001.09	Casing, Outer
10	EH5001.10	Frame
11	EH3001.11	Handle
12	EH3001.12	Control Box
13	EH9001.16	Power Switch, Rotary
14	EH15001.12	Knob, Mode Selection
15	EH15001.13	Ring, Mode Selection
16	EH3001.16	Thermostat
17	EH5001.17	Cable Grip
18	EH3001.18	Fan
19	EH3001.19	Support, Motor

Item	Part No.	Description
20	EH3001.20	Motor
21	EH5001.23	End Plug
22	EH5001.24	Rubber Feet
23	EH9001.29	Adjusting Knob
24	EH3001.24	Rivet
25	EH3001.25	Mains Cable (c/w Plug)
26	EH5001.28	Connect Plate
--	EH3001.FK	Fixing Kit (Not Shown)
--	EH3001.27	Screw ST3.5 x 10mm (Not Shown)
--	EH3001.28	Screw M5 x 12mm (Not Shown)
--	EH3001.29	Screw M4 x 12mm (Not Shown)
--	EH3001.30	Screw M4 x 10mm (Not Shown)
--	EH3001.31	Washer M5 (Not Shown)
--	EH3001.32	Washer M4 (Not Shown)
--	EH3001.33	Screw ST3 x 16mm (Not Shown)
--	EH3001.34	Spring Washer M5 (Not Shown)
--	EH3001.35	Spring Washer M4 (Not Shown)
--	SN4.S	Steel Nut M4 (Not Shown)

NOTE: It is our policy to continually improve products and as such we reserve the right to alter data, specifications and component parts without prior notice. There may be alternative versions of this product, please contact us should you require this information.

IMPORTANT: No liability is accepted for incorrect use of product. Spare parts must be fitted by a competent person

WARRANTY: Guarantee is 12 months from purchase date, proof of which will be required for any claim.

Sealey Group, Kempson Way, Suffolk Business Park, Bury St Edmunds, Suffolk. IP32 7AR



01284 757500



01284 703534



sales@sealey.co.uk



www.sealey.co.uk