



INSTRUCTIONS FOR

MOBILE TOOL & PARTS TROLLEY

MODEL NO: **AP705M SERIES**

Thank you for purchasing a Sealey product. Manufactured to a high standard, this product will, if used according to these instructions, and properly maintained, give you years of trouble free performance.

IMPORTANT: PLEASE READ THESE INSTRUCTIONS CAREFULLY. NOTE THE SAFE OPERATIONAL REQUIREMENTS, WARNINGS & CAUTIONS. USE THE PRODUCT CORRECTLY AND WITH CARE FOR THE PURPOSE FOR WHICH IT IS INTENDED. FAILURE TO DO SO MAY CAUSE DAMAGE AND/OR PERSONAL INJURY AND WILL INVALIDATE THE WARRANTY. KEEP THESE INSTRUCTIONS SAFE FOR FUTURE USE.



Refer to instructions



Warning: Beware crushing of hands.



Unit may tip. Close and lock drawers before moving. Use one drawer at a time.



Serious injury may occur. **DO NOT** pull unit. **DO NOT** tow. Push to move.



Caution: Remove items from work surface prior to closing lid. Failure to do so will result in damage to lid.



Hang on cabinets: Caution. Make sure cabinet is weighted down enough to counter balance the weight of any side hanging unit. Make sure cabinet will not tip over if any loaded draw is extended.



DO NOT attempt to lift cabinet using the lids when loaded, only lift this way when empty. Before pulling out any loaded drawer, make sure unit is weighed down enough to avoid tipping.

1. SAFETY

- WARNING!** Ensure Health & Safety, local authority, and general workshop practice regulations are adhered to when using this trolley.
 - WARNING!** be careful to ensure that when closing the sliding top you do not catch any part of your body between the runners.
 - ✓ Always load evenly with the centre of gravity of the load as near centre of the trolley as possible.
 - ✓ Keep the work area clean, uncluttered and ensure there is adequate lighting.
 - ✓ Keep the trolley clean and tidy in accordance with good workshop practice.
 - ✓ Use the wheel locks to prevent the trolley from inadvertently moving.
 - ✓ Keep children and unauthorised persons away from the work area.
 - ✗ **DO NOT** overload the trolley. Max Capacity 100kg.
 - ✗ **DO NOT** use the trolley for any purpose other than that for which it is designed.
 - ✗ **DO NOT** stand on the trolley, use it as a ladder or allow others to ride on the trolley.
 - ✗ **DO NOT** leave unattended, especially when loaded, unless the wheels are locked, chocked or the trolley is otherwise secured.
 - ✗ **DO NOT** use trolley on uneven ground and do not run over curbs or steps - use a ramp.
 - ✗ **DO NOT** use trolley if any part is significantly damaged, paying particular attention to the wheels.
 - ✗ **DO NOT** move trolley with draws out ensure they are closed and locked.
 - ✗ **DO NOT** pull out more than one loaded drawer at any one time or tipping may occur.
 - ✗ **DO NOT** overload drawers.
 - ✗ Castors limited to 2.5 mph travelling speed.
 - ✗ **DO NOT** tow unit.
- Note! Do not force side drawers open, they will open only when the sliding top is open.**
Note! The assembly will require assistance.

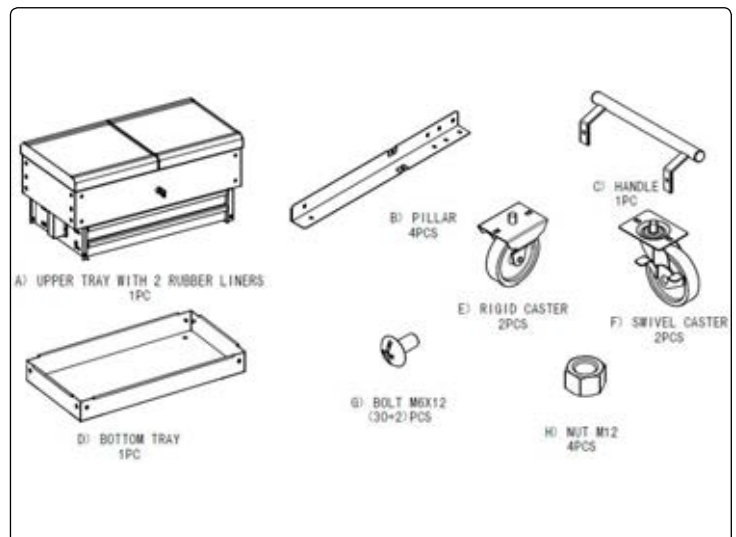
2. INTRODUCTION

Heavy gauge steel construction with lockable sliding top on smooth ball bearing runners. Twin drawers with 35mm heavy-duty ball bearing slides, which are locked when top is closed. Side handle for comfort and control when manoeuvring. Fitted with four wheels, two fixed and two locking castors. Suitable for tools and parts. Some self-assembly required.

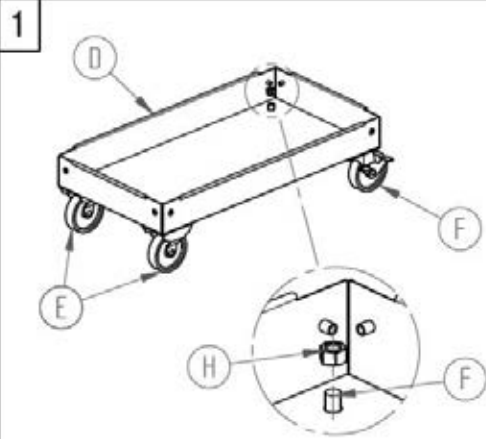
3. SPECIFICATION

Model no: AP705M.V2/AP705MB.V2
Size (W x D x H): 770 x 370 x 830mm
Load capacity: 100kg

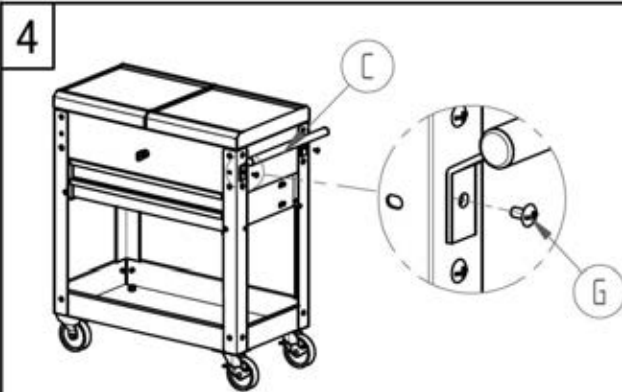
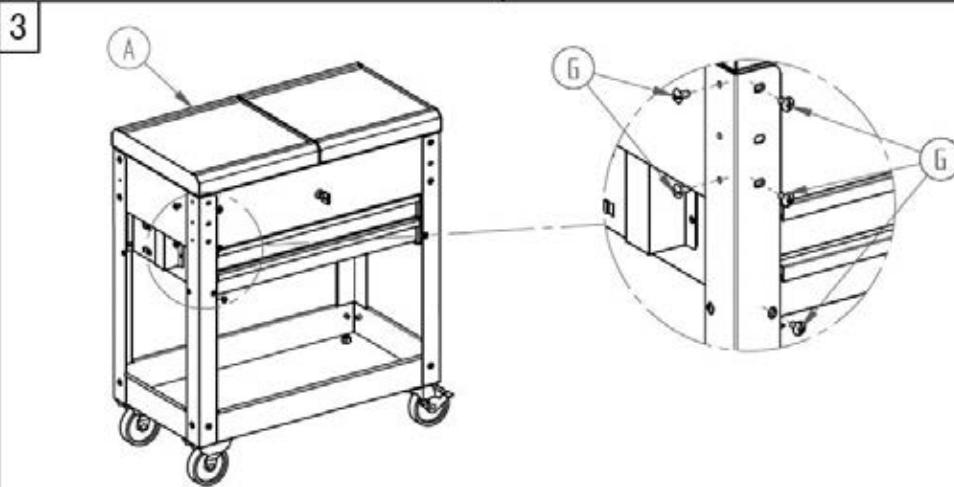
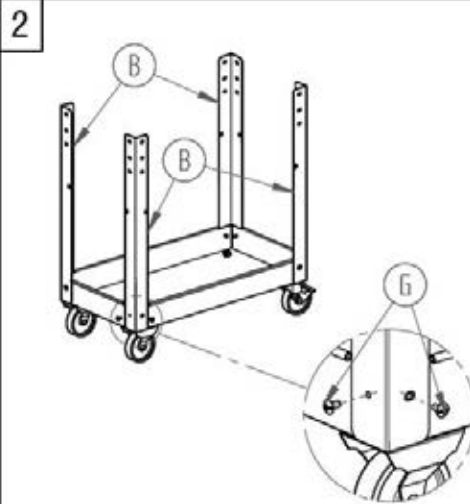
4. PARTS



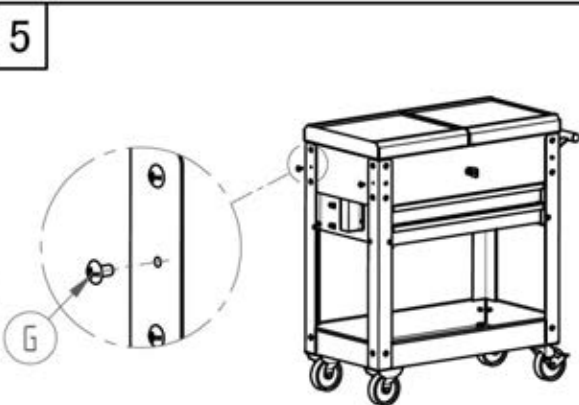
5. ASSEMBLY



Note: Always put the same casters on one side.



Handle can be attached on each side.



Environmental Protection
 Recycle unwanted materials instead of disposing of them as waste. All tools, accessories and packaging should be sorted, taken to a recycling centre and disposed of in a manner which is compatible with the environment. When the product becomes completely unserviceable and requires disposal, drain off any fluids (if applicable) into approved containers and dispose of the product and the fluids according to local regulations.

NOTE: It is our policy to continually improve products and as such we reserve the right to alter data, specifications and component parts without prior notice.

IMPORTANT: No liability is accepted for incorrect use of this product.

WARRANTY: Guarantee is 12 months from purchase date, proof of which will be required for any claim.

SEALEY

Sole UK Distributor, Sealey Group.
 Kempson Way, Suffolk Business Park,
 Bury St. Edmunds, Suffolk.
 IP32 7AR



01284 757500



01284 703534



www.sealey.co.uk



sales@sealey.co.uk

