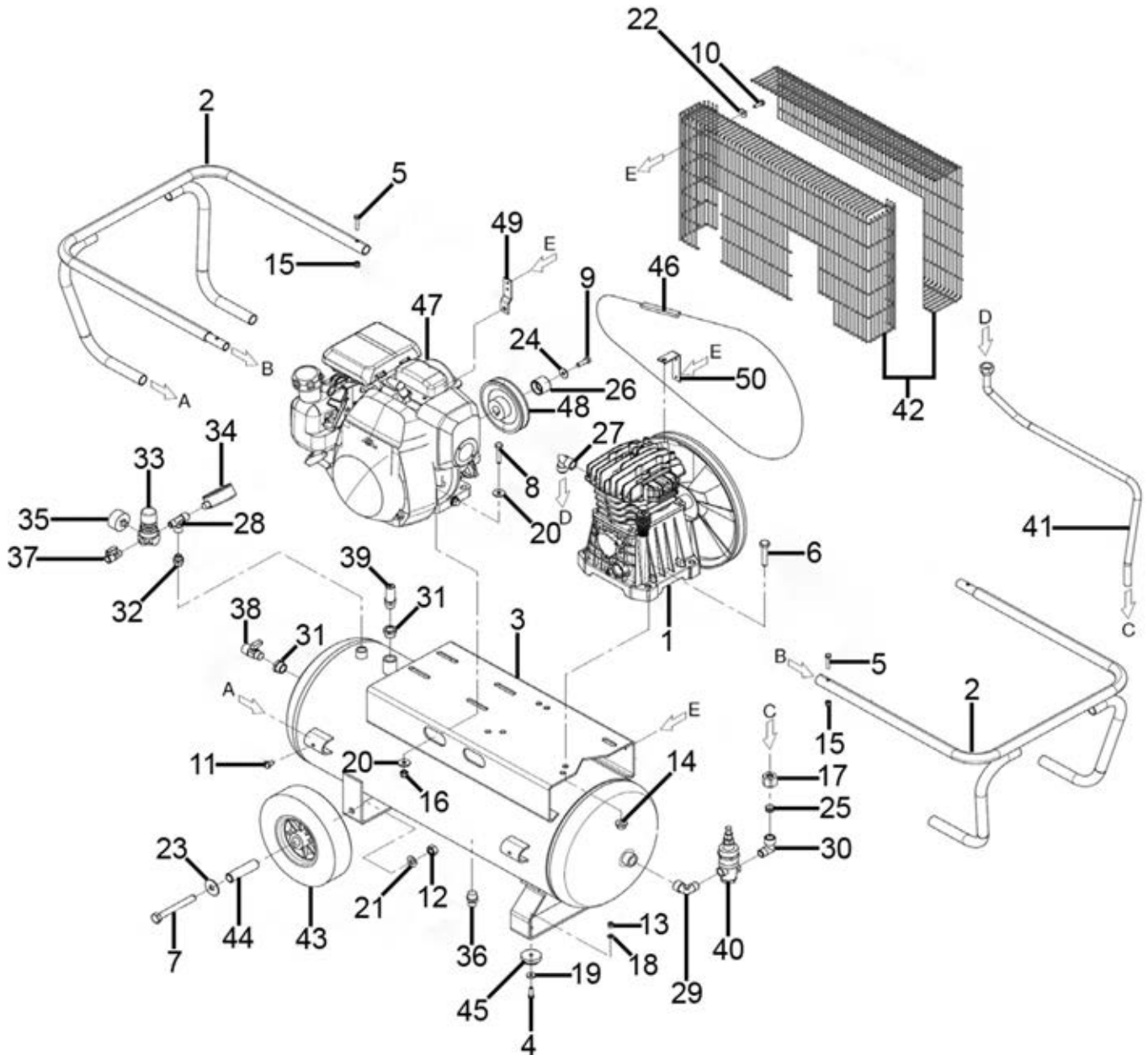




Parts Information:
Compressor 50L Belt Drive Petrol Engine
4hp
Model No: SA5040



NOTE: It is our policy to continually improve products and as such we reserve the right to alter data, specifications and component parts without prior notice. There may be alternative versions of this product, please contact us should you require this information.

IMPORTANT: No liability is accepted for incorrect use of product. Spare parts must be fitted by a competent person

WARRANTY: Guarantee is 12 months from purchase date, proof of which will be required for any claim.

Sealey Group, Kempson Way, Suffolk Business Park, Bury St Edmunds, Suffolk. IP32 7AR



01284 757500



01284 703534



sales@sealey.co.uk



www.sealey.co.uk



Parts Information:
**Compressor 50L Belt Drive Petrol Engine
4hp
Model No: SA5040**

Item	Part No.	Description
1	SAC9101880000	Pump Unit
2	SA5055.02	Frame (Set of 2)
3	SA5055.03	Tank
4	SA5055.04	Screw M6 x 20mm
5	SA5055.05	Screw M6 x 30mm
6	SA5055.06	Screw M10 x 50mm
7	HHB12100.S	Hex Head Bolt M12 x 100mm
8	SA5055.08	Screw M8 x 45mm
9	SA5055.09	Screw 5/16"
10	SA5040.P35	Screw M5 x 12mm
11	SA5055.11	Screw M8 x 12mm
12	SN12.S	Steel Nut M12
13	SN6.S	Steel Nut M6
14	SN10.S	Steel Nut M10
15	SN6.S	Steel Nut M6
16	SN8.S	Steel Nut M8
17	SA5055.17	Nut 1/2"
18	SA5055.18	Washer 6mm
19	SA5055.19	Washer
20	SA5055.20	Washer
21	SA5055.21	Washer 12mm
22	SA5055.22	Washer
23	SA5055.23	Washer
24	SA5055.24	Washer 8mm
25	SA5055.25	Olive
26	SA5055.26	Spacer

Item	Part No.	Description
27	SAC7080160000	Elbow 1/2"BSP MM
28	SAC7082050000	Cross Connector
29	SA5055.29	Elbow 3/8"BSP M-1/2"BSP M
30	SA5055.30	Elbow 3/8"BSP Male (c/w Olive)
31	SA5055.31	Plug
32	SA5055.32	Union Reducer
33	SAC9700001715	Pressure Reducer
34	SA5055.34	Pressure Gauge 230psi
35	SAC9700001788	Pressure Gauge 240psi
36	SAC7130160000	Drain Valve 3/8"BSP M
37	SAC7130440000	Ball Valve 1/4" M-1/4"BSP F
38	SA5055.38	Outlet Tap 3/8"
39	SAC7192090000	Safety Valve 3/8"BSP M
40	SA5055.40	Regulator
41	SA5040.41	Delivery Pipe
42	SAC4170030000	Belt Guard Assembly
43	SA5055.43	Wheel (c/w Cap)
44	SA5055.44	Wheel Spacer
45	SA5055.45	Rubber Foot
46	V/A46	V-Belt
47	SA5040.47	Engine
48	SA5040.48	Pulley
49	SA5055.49	Belt Guard Support
50	SAC7458940000	Belt Guard Support
--	SAC7385590000	Dipstick Holder (c/w Dipstick)(Not Shown)

NOTE: It is our policy to continually improve products and as such we reserve the right to alter data, specifications and component parts without prior notice. There may be alternative versions of this product, please contact us should you require this information.

IMPORTANT: No liability is accepted for incorrect use of product. Spare parts must be fitted by a competent person

WARRANTY: Guarantee is 12 months from purchase date, proof of which will be required for any claim.

Sealey Group, Kempson Way, Suffolk Business Park, Bury St Edmunds, Suffolk. IP32 7AR



01284 757500



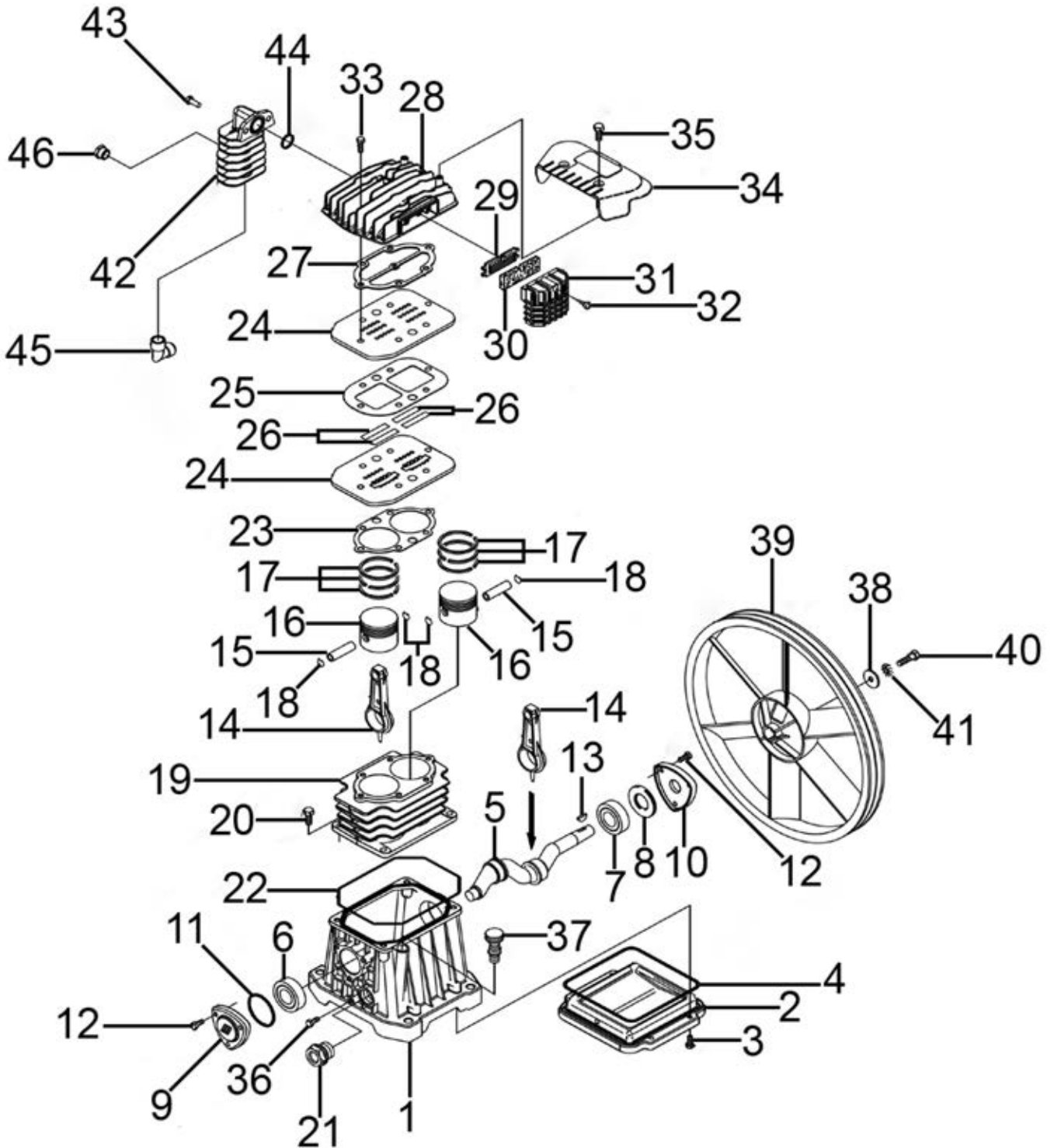
01284 703534



sales@sealey.co.uk



www.sealey.co.uk



NOTE: It is our policy to continually improve products and as such we reserve the right to alter data, specifications and component parts without prior notice. There may be alternative versions of this product, please contact us should you require this information.

IMPORTANT: No liability is accepted for incorrect use of product. Spare parts must be fitted by a competent person

WARRANTY: Guarantee is 12 months from purchase date, proof of which will be required for any claim.



Parts Information:
**Compressor 50L Belt Drive Petrol Engine
4hp
Model No: SA5040**

Item	Part No.	Description
1	SAC9700001075	Crankcase
2	SAC9700001076	Crankcase Cover
3	SAC9700000531	Screw M5 x 12mm
4	SAC9700001077	Base Seal, Crankcase
5	SAC9100270140	Crankshaft
6	B/6203	Bearing
7	B/6204	Bearing
8	SAC9100270150	Oil Seal
9	SAC9100270160	Front Cover
10	SAC9100270170	Rear Cover
11	SA36.V2-36	O-Ring
12	SAC7011420000	Screw M6 x 16mm
13	SAC9100280020	Key
14	SAC9100270010	Connection Rod
15	SAC9100270020	Gudgeon Pin
16	SAC9100270030	Piston
17	SAC4080120000	Piston Ring (Set of 3)
18	SAC9100270070	Seeger Ring
19	SAC9100270080	Cylinder, Twin
20	SFS825.S	Hex Head Flange Bolt M8 x 25mm
21	SAC9100280070	Oil Sight Glass
22	SAC9100270180	Gasket, Cylinder Base
23	SAC9100270190	Gasket
24	SAC9100270090	Valve Plate
25	SAC9100270200	Gasket

Item	Part No.	Description
26	SAC9100280090	Valve
27	SAC9100270210	Gasket
28	SAC9100270100	Cylinder Head
29	SAC7458340000	Plate
30	SAC7210010000	Filter Element
31	SAC9100270240	Intake Filter
32	SAC7012100000	Rd Head S/T Screw M3.8 x 15mm
33	SCB855.S	Socket Cap Bolt M8 x 55mm
34	SAC9100270220	Cover
35	MSP512.S	Machine Screw Pan Head Phillips M5 x 12mm
36	SS616.S	Hex Head Set Screw M6 x 16mm
37	SAC1129700300	Breather Plug
38	RW825.S	Repair Washer M8 x 25mm
39	SAC9100270230	Flywheel
40	SS825.S	Hex Head Set Screw M8 x 25mm
41	SAC7031010000	Toothed Washer
42	SAC9100270270	Aftercooler
43	FWM8.S	Flat Washer M8
44	SAC9100270280	O-Ring
45	SAC7080160000	Elbow 1/2"BSP MM
46	SAC9700000693	Plug
--	SAC9700003272	Valve Plate Assembly (Not Shown)
--	SAC9700000078	Gasket Kit (Not Shown)
--	SAC9700010170	Piston Group (Not Shown)

NOTE: It is our policy to continually improve products and as such we reserve the right to alter data, specifications and component parts without prior notice. There may be alternative versions of this product, please contact us should you require this information.

IMPORTANT: No liability is accepted for incorrect use of product. Spare parts must be fitted by a competent person

WARRANTY: Guarantee is 12 months from purchase date, proof of which will be required for any claim.

Sealey Group, Kempson Way, Suffolk Business Park, Bury St Edmunds, Suffolk. IP32 7AR



01284 757500



01284 703534



sales@sealey.co.uk



www.sealey.co.uk