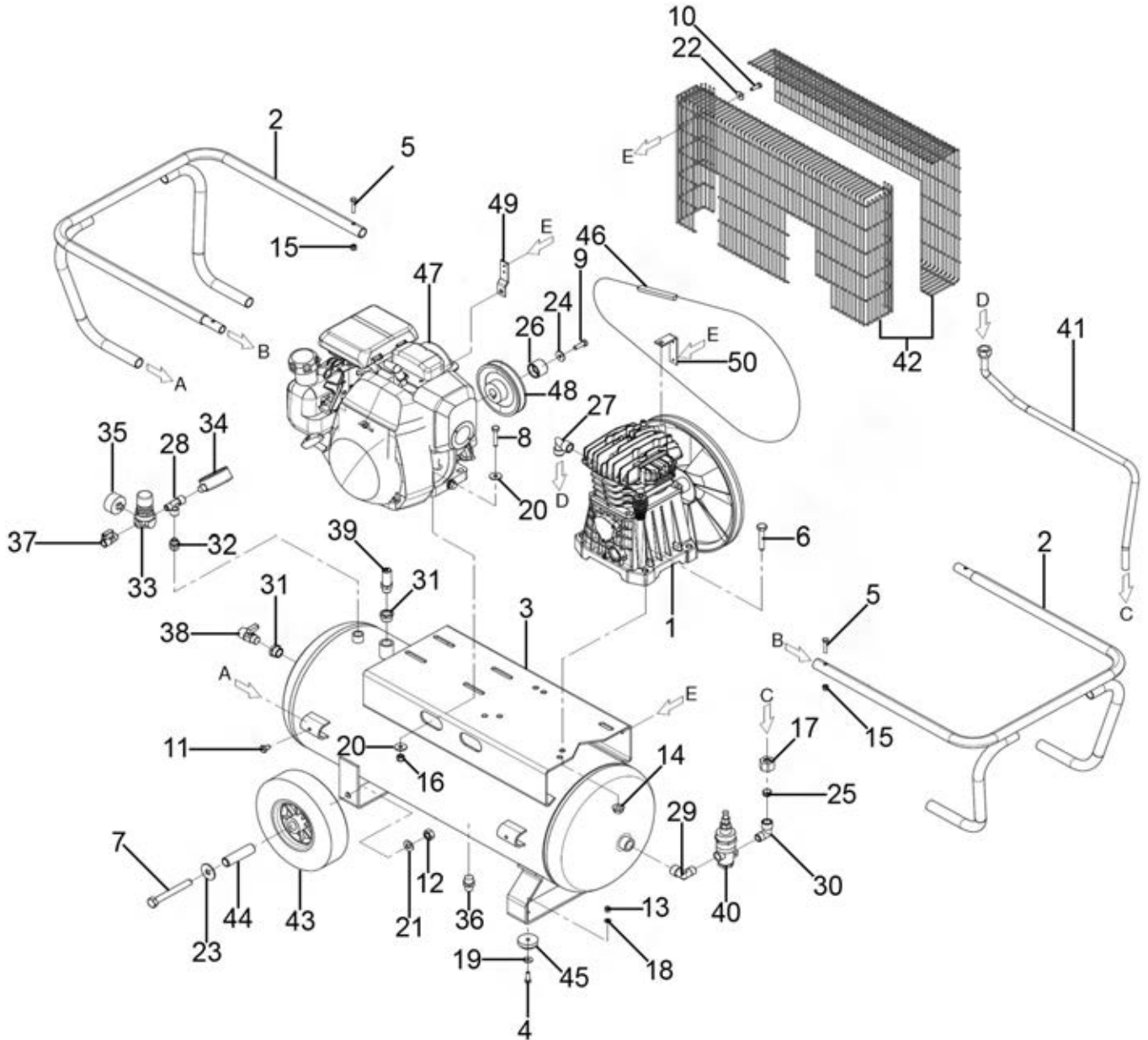




Parts Information:
Compressor 50L Belt Drive Petrol Engine
5.5hp
Model No: SA5055



NOTE: It is our policy to continually improve products and as such we reserve the right to alter data, specifications and component parts without prior notice. There may be alternative versions of this product, please contact us should you require this information.

IMPORTANT: No liability is accepted for incorrect use of product. Spare parts must be fitted by a competent person

WARRANTY: Guarantee is 12 months from purchase date, proof of which will be required for any claim.

Sealey Group, Kempson Way, Suffolk Business Park, Bury St Edmunds, Suffolk. IP32 7AR



01284 757500



01284 703534



sales@sealey.co.uk



www.sealey.co.uk



Parts Information:
**Compressor 50L Belt Drive Petrol Engine
5.5hp
Model No: SA5055**

Item	Part No.	Description
1	SAC3020041000	Pump Unit
2	SA5055.02	Frame (Set Of 2)
3	SA5055.03	Tank
4	SA5055.04	Screw M6 x 20mm
5	SA5055.05	Screw M6 x 30mm
6	SA5055.06	Screw M10 x 50mm
7	HHB12100.S	Hex Head Bolt M12 x 100mm
8	SA5055.08	Screw M8 x 45mm
9	SA5055.09	Screw 5/16"
10	SA5040.P35	Screw M5 x 12mm
11	SA5055.11	Screw M8 x 12mm
12	SN12.S	Steel Nut M12
13	SN6.S	Steel Nut M6
14	SN10.S	Steel Nut M10
15	SN6.S	Steel Nut M6
16	SN8.S	Steel Nut M8
17	SA5055.17	Nut 1/2"
18	SA5055.18	Washer 6mm
19	SA5055.19	Washer
20	SA5055.20	Washer
21	SA5055.21	Washer 12mm
22	SA5055.22	Washer
23	SA5055.23	Washer
24	SA5055.24	Washer 8mm
25	SA5055.25	Olive
26	SA5055.26	Spacer

Item	Part No.	Description
27	SAC7080160000	Elbow 1/2"BSP MM
28	SAC7082050000	Cross Connector 1/4"
29	SA5055.29	Elbow 3/8"BSP M - 1/2"BSP M
30	SA5055.30	Elbow 3/8"BSP M (c/w Olive)
31	SA5055.31	Plug
32	SA5055.32	Union Reducer
33	SAC9700001715	Pressure Reducer
34	SA5055.34	Pressure Gauge 230PSI
35	SAC9700001788	Pressure Gauge 240PSI
36	SAC7130160000	Drain Valve 3/8"BSP M
37	SAC7130440000	Ball Valve 1/4"BSP M - 1/4"BSP F
38	SA5055.38	Outlet Tap 3/8"
39	SAC7192090000	Safety Valve 10Bar 3/8"BSP M
40	SA5055.40	Regulator
41	SA5055.41	Delivery Pipe
42	SAC4170030000	Belt Guard Assembly
43	SA5055.43	Wheel (c/w Cap)
44	SA5055.44	Wheel Spacer
45	SA5055.45	Rubber Foot
46	V/A44	V-Belt
47	SA5055.47	Engine
48	SA5055.48	Pulley
49	SA5055.49	Belt Guard Support
50	SAC7458940000	Belt Guard Support
--	SAC3020009000	Pump Unit (Not Shown)
--	SAC7195170000	Pressure Regulator Valve (Not Shown)

NOTE: It is our policy to continually improve products and as such we reserve the right to alter data, specifications and component parts without prior notice. There may be alternative versions of this product, please contact us should you require this information.

IMPORTANT: No liability is accepted for incorrect use of product. Spare parts must be fitted by a competent person

WARRANTY: Guarantee is 12 months from purchase date, proof of which will be required for any claim.

Sealey Group, Kempson Way, Suffolk Business Park, Bury St Edmunds, Suffolk. IP32 7AR



01284 757500



01284 703534

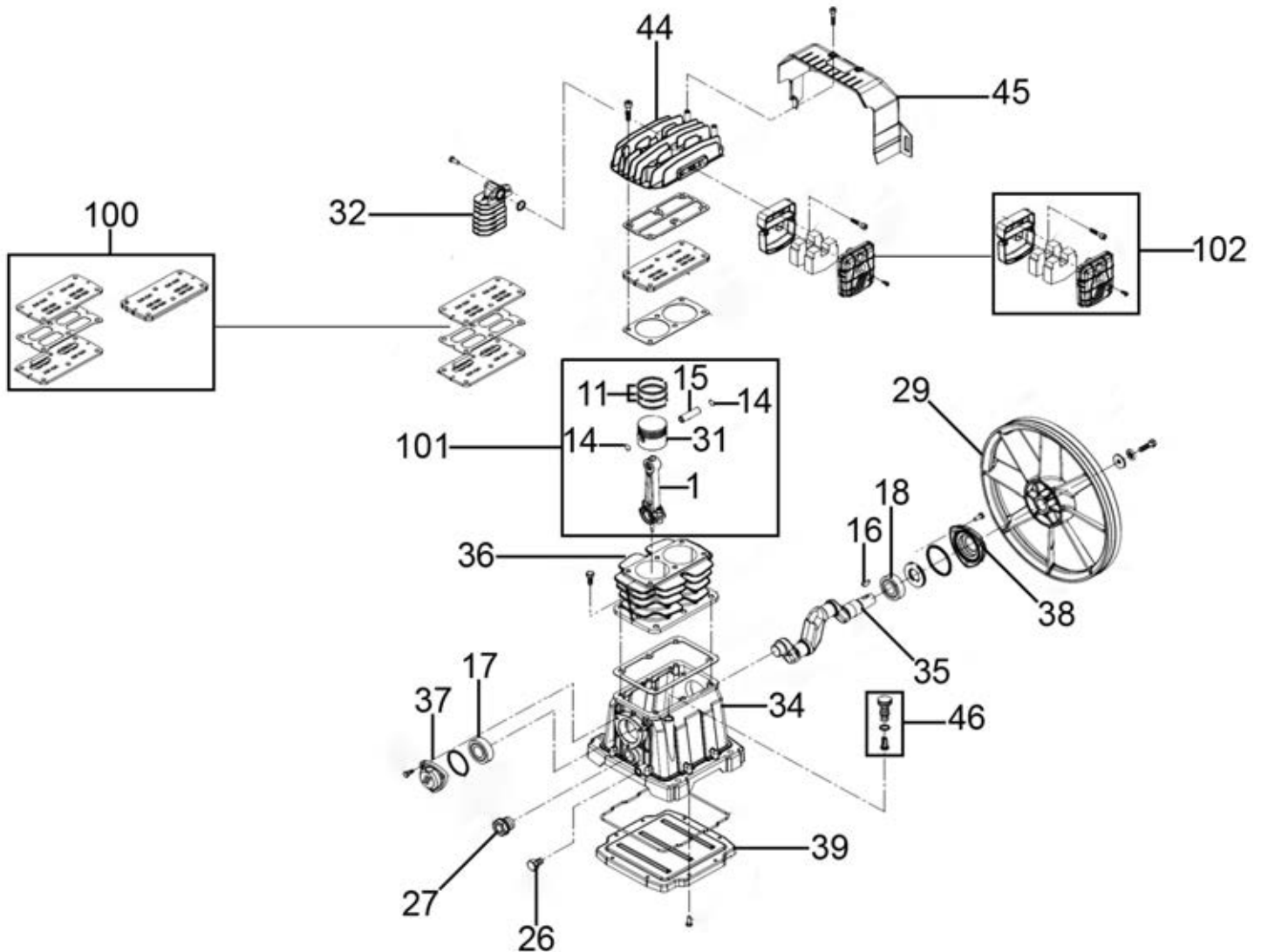


sales@sealey.co.uk



www.sealey.co.uk

Parts Information:
Compressor 50L Belt Drive Petrol Engine
5.5hp
Model No: SA5055



Item	Part No.	Description
1	SAC9105450240	Con-Rod
11	SAC4080070000	Piston Ring Set
14	SAC7041410000	Ring
15	SAC7050110000	Piston Pin
16	SAC7051510000	Key
17	B/6205	Bearing
18	B/6206	Bearing
26	SAC7090090000	Plug 1/4"
27	SAC9700000408	Oil Level Gauge
29	SAC7201010000	Flywheel
31	SAC7220090000	Piston
32	SAC9100270270	Aftercooler
34	SAC9105450010	Crankcase

Item	Part No.	Description
35	SAC9105450250	Crankshaft
36	SAC9105450060	Cylinder
37	SAC9105450070	Front Cover
38	SAC9105450080	Rear Cover
39	SAC9105450090	Bottom Cover
44	SAC9105450180	Head
45	SAC7153140000	Cover
46	SAC9700001377	Vent Plug
100	SAC4231260000	Valve Plate Kit
101	SAC4291070000	Piston Kit
102	SAC4250130000	Intake Filter Kit
--	SAC4081990000	Accessory Kit (Not Shown)
--	SAC4080480000	Fixing Kit (Not Shown)

NOTE: It is our policy to continually improve products and as such we reserve the right to alter data, specifications and component parts without prior notice. There may be alternative versions of this product, please contact us should you require this information.

IMPORTANT: No liability is accepted for incorrect use of product. Spare parts must be fitted by a competent person

WARRANTY: Guarantee is 12 months from purchase date, proof of which will be required for any claim.