



INSTRUCTIONS FOR

COMPRESSOR (BELT DRIVE) 1.5HP OIL FREE

MODEL NO: **SAC00015, SAC00615, SAC02415**

Thank you for purchasing a Sealey product. Manufactured to a high standard, this product will, if used according to these instructions, and properly maintained, give you years of trouble free performance.

IMPORTANT: PLEASE READ THESE INSTRUCTIONS CAREFULLY. NOTE THE SAFE OPERATIONAL REQUIREMENTS, WARNINGS & CAUTIONS. USE THE PRODUCT CORRECTLY AND WITH CARE FOR THE PURPOSE FOR WHICH IT IS INTENDED. FAILURE TO DO SO MAY CAUSE DAMAGE AND/OR PERSONAL INJURY AND WILL INVALIDATE THE WARRANTY. KEEP THESE INSTRUCTIONS SAFE FOR FUTURE USE.



Refer to instruction manual



Wear eye protection



Wear ear protection



Warning! Electricity



Warning! Hot surface

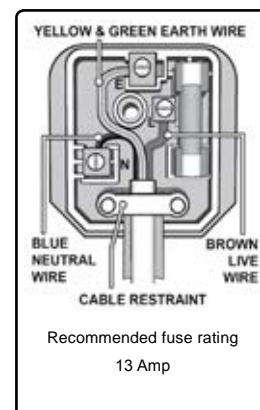


Warning! Automatic start up

1. SAFETY

1.1. Electrical Safety

- WARNING!** It is the user's responsibility to check the following:
 - Check all electrical equipment and appliances to ensure that they are safe before using. Inspect power supply leads, plugs and all electrical connections for wear and damage. Sealey recommend that an RCD (Residual Current Device) is used with all electrical products. You may obtain an RCD by contacting your local Sealey stockist.
 - If the compressor is used in the course of business duties, it must be maintained in a safe condition and routinely PAT (Portable Appliance Test) tested.
 - Electrical safety information, it is important that the following information is read and understood.
 - ✓ Ensure that the insulation on all cables and on the appliance is safe before connecting it to the power supply.
 - ✓ Regularly inspect power supply cables and plugs for wear or damage and check all connections to ensure that they are secure.
Important: Ensure that the voltage rating on the appliance suits the power supply to be used and that the plug is fitted with the correct fuse - see fuse rating in these instructions.
 - ✗ **DO NOT** pull or carry the appliance by the power cable.
 - ✗ **DO NOT** pull the plug from the socket by the cable.
 - ✗ **DO NOT** use worn or damaged cables, plugs or connectors. Ensure that any faulty item is repaired or replaced immediately by a qualified electrician.
- This product is fitted with a BS1363/A 13 Amp 3 pin plug.
If the cable or plug is damaged during use, switch the electricity supply and remove from use.
Ensure that repairs are carried out by a qualified electrician.
Replace a damaged plug with a BS1363/A 13 Amp 3 pin plug. If in doubt contact a qualified electrician.
- A) Connect the GREEN/YELLOW earth wire to the earth terminal 'E'.
 - B) Connect the BROWN live wire to the live terminal 'L'.
 - C) Connect the BLUE neutral wire to the neutral terminal 'N'.
- Ensure that the cable outer sheath extends inside the cable restraint and that the restraint is tight.
Sealey recommend that repairs are carried out by a qualified electrician.



1.2. General Safety

- WARNING! Compressor must only be serviced by an authorised agent.**
- ✓ Familiarise yourself with the application and limitations of the compressor.
- ✓ Ensure the compressor is in good order and condition before use. If in any doubt do not use the unit and contact an electrician/service agent.
- ✓ Before moving, or maintaining the compressor ensure it is unplugged from the mains supply and that the air tool is disconnected.
- ✓ Use the compressor in a well ventilated area and ensure it is placed on a firm surface.
- ✓ Keep tools and other items away from the compressor when it is in use, and keep area clean and clear of unnecessary items.
- ✓ Keep children and unauthorised persons away from the working area.
- ▲ **DANGER! DO NOT direct the output jet of air towards people or animals.**
- WARNING! If an electrical fuse blows, ensure it is replaced with an identical fuse type and rating.**
- ✗ **DO NOT** dis-assemble compressor for any reason. This unit must only be checked and serviced by an approved service agent.
- ✗ **DO NOT** use the compressor outdoors or in damp or wet locations.
- ✗ **DO NOT** operate within the vicinity of flammable liquids, gases or solids.
- ✗ **DO NOT** touch compressor cylinder head as it may be hot and will remain so for some time after shut down.
- ✗ **DO NOT** use this compressor to perform a task for which it has not been designed.
- ✗ **DO NOT** leave the compressor running unattended.
- ✗ **DO NOT** operate the compressor whilst under the influence of drugs, alcohol or other intoxicating medication.
- ✗ **DO NOT** cover the compressor or restrict air flow around the machine whilst operating.
- ✗ **DO NOT** allow anyone to operate the compressor unless they have received full instructions.
- ✓ When not in use, store the compressor carefully in a safe, dry, dust free, childproof location.
- WARNING!** For this reason **DO NOT** tamper with, or adjust, the pre-set switch or safety valve.
- ✓ Should there appear to be any loss of efficiency when using the compressor, ensure first that the air tool is clean and functioning properly. If the air tool is satisfactory then refer to the trouble shooting guide.

1.3. **Inspection of pressure tank both internal and external.**

Under the **PRESSURE SYSTEMS SAFETY REGULATIONS 2000** it is the responsibility of the owner of the compressor to initiate a system of inspection that both defines the frequency of the inspection and appoints a person who has specific responsibility for carrying out the inspection.

- × **DO NOT** carry out any welding operations on any pressurised parts of the vessel.

2. INTRODUCTION

Ideal for use where an oil-free air delivery is required and especially suited to small low pressure, touch-up and airbrush spraying applications as well as general-purpose applications. Simple construction with fewer components makes these units practically maintenance free. Reduced weight gives greater portability and compressor can be transported and even operated on its side. All, except Model no. SAC00015, are supplied with a precision welded receiver tank, manufactured to meet Pressure Vessel Directive, fully automatic pressure cut-out switch and air regulator with gauge. Model no. SAC02415 supplied with wheels and handle. Fitted with ASTA/BS approved non-rewireable plug.

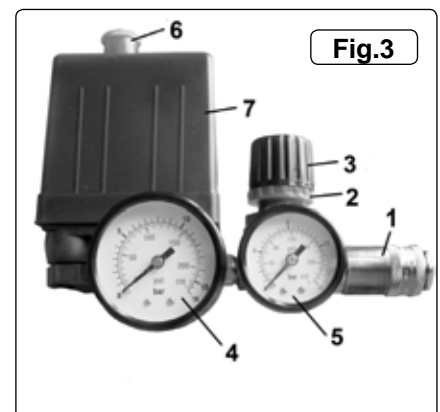
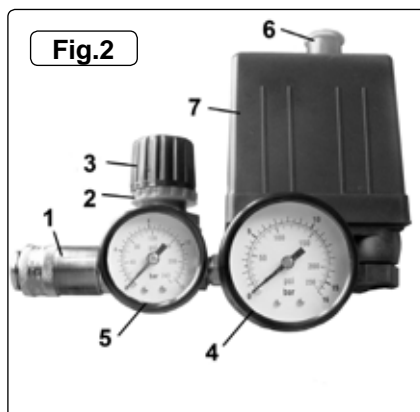
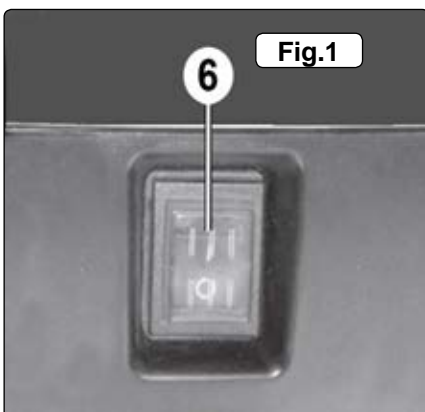
3. SPECIFICATION

Model no.	SAC00015	SAC00615	SAC02415
Motor output	1.5hp	1.5hp	1.5hp
Voltage/phase	230V- 1ph	230V - 1ph	230V - 1ph
Minimum rated capacity	13A	13A	13A
Air displacement cfm (ltr/min)	6.35 (180)	6.35 (180)	6.35 (180)
Max. free air delivery cfm (ltr/min)	4.7 (130)	4.7 (130)	4.7 (130)
Max. pressure	116psi (8bar)	116psi (8bar)	116psi (8bar)
Receiver capacity	-	6ltr	24ltr
Outlet fitting	Quick release coupling	Quick release coupling	Quick release coupling
Dimensions (W x D x H)	340 x 180 x 360mm	480 x 180 x 490mm	570 x 300 x 600mm
Weight	6kg	10kg	16kg
Noise power	97dB	97dB	97dB

4. ASSEMBLY

- 4.1. Remove compressor from packaging and inspect for any shortages or damage. If anything is found to be missing or damaged, contact your supplier.
- 4.2. If wheels and/or feet are not fitted to compressor, fit them using the appropriate nuts, bolts and washers supplied.
- 4.3. Confirm that the mains voltage corresponds with the voltage shown on the compressor data plate.

5. OPERATION



- ❑ **WARNING!** Ensure that you have read, understood and apply Section 1 safety instructions.
 - 5.1. The compressor should be located and operated in a position that allows good air circulation around the unit. Locate the compressor in a convenient position for the work to be undertaken. Ensure that it is standing on a stable and level surface. Ensure the feet/wheels are in direct contact with the surface.
 - 5.2. Attach the required air tool to the air outlet.
 - 5.3. Plug the mains plug into a mains electrical socket, but do not switch the compressor on until the workpiece and air tool are fully prepared. Switch on the unit by pushing the switch to the On position (SAC00015 - Fig.1.6) or pulling the red On/Off switch upwards (Figs.2.6 & 3.6).
 - 5.4. On the SAC00615 and SAC02415 models, the output pressure is regulated by the pressure regulator tap (Figs.2.3 & 3.3). Adjust the pressure regulator tap to the pressure required. The tap can then be locked at the required setting by tightening the locking ring (Figs.2.2 & 3.2) behind the tap. When the compressor is not being used, set the regulated pressure to zero so as to avoid damaging the pressure reducer.
- NOTE:**
- a) On the SAC00615 and SAC02415 models, if the motor does not cut in and out, but runs continuously when using an air appliance, the capacity of the compressor may be too small for the tool being used.
 - b) The larger gauge (figs.2.4 & 3.4) indicates the pressure inside the main tank. The smaller gauge (fig.2.5 & 3.5) indicates the pressure supplied to the air equipment. The pressure switch (figs.2.7 & 3.7) stops the motor when the maximum tank pressure is reached and restarts it when pressure falls below the minimum threshold - approximately 2 bar (29psi) less than the maximum pressure.
- ❑ **WARNING!** For this reason **DO NOT** tamper with, or adjust, the pre-set switch or safety valve.
 - c) Should there appear to be any loss of efficiency when using the compressor, ensure first that the air tool is clean and functioning properly. If the air tool is satisfactory then refer to the Troubleshooting guide, section 7.
- 5.5. Do not leave the compressor running for any length of time with the air tool attached, but not being used. If there is a pause in the work, switch the compressor off. These compressors have a duty-cycle of 25%. For each period of use, a rest period of three times that length should be left before using it again (for example: after 2½ minutes use, a rest period of 7½ minutes should follow). If the motor overheats, the thermal cut-out will operate and cut the motor out. When the temperature has returned to normal, the motor will re-start automatically.
 - 5.6. If the operating note of the compressor changes, there may be a blockage within the tool, or the air hose may be pinched. The unit should be switched off immediately, and the source of the blockage investigated and eliminated, before re-starting. When work is complete, switch the compressor off. by pushing the switch to the Off position (SAC00015 - Fig.1.6) or pushing the red On/Off switch downwards (Figs.2.6 & 3.6). Operate the air tool to clear any pressure left in the air hose. Disconnect the air tool from the compressor. For models with air tanks, vent any pressure remaining in the tank by manually operating the safety valve (pull on the metal ring) situated next to the pressure switch assembly. Open the drainage tap at the bottom of the tank, to allow any moisture to be drained from the tank. This prevents corrosion on the inside of the tank. Close drainage tap.
 - 5.7. If it is intended to store the compressor away, allow it to cool before storing it carefully in a safe, dry, dust free, childproof location.

6. MAINTENANCE

Before carrying out any maintenance, switch compressor off, unplug it from the mains electricity supply, depressurise the tank and allow unit to fully cool down.

- 6.1. Keep the compressor clean and free of dust. Do not use cleaning agents. Wipe the compressor using a slightly dampened cloth and blow it over with compressed air.
- 6.2. Ensure that the ventilation openings are clear. Do not allow any extraneous material to enter the unit via any of the ventilation openings.
- 6.3. To prevent corrosion to the tank, drain it on a regular basis by opening the drainage tap at the bottom of the tank, after draining ensure the drainage tap is fully closed.

7. TROUBLESHOOTING

- 7.1. The troubleshooting guide below is intended to give an indication of the type of fault which may develop with the compressor over a long period of service. The chart is not intended as a guide on how to repair the fault, it is recommended that the compressor is returned to an authorised service agent for rectification of serious faults.

Fault	Possible Cause	Remedy
Reduction in performance. Frequent start-up. Low pressure values.	Excessive air consumption, leaks from the couplings and/or pipes.	Air tool requires higher spec. compressor. Check / replace the seals of the fitting.
The compressor stops, then restarts automatically after a few minutes.	Tripping of the thermal cutout due to overheating of the motor.	Clean the air vents and ensure the work area is ventilated. Do not over-run the compressor's duty cycle.
Air leakage from the valve of the pressure switch whilst the compressor is off.	Pressure switch valve, due to wear or dirt on the seal, does not perform correctly.	Unscrew the head of the valve, clean the valve seat and the rubber disc (replace if worn). Reassemble and tighten carefully.
The compressor does not stop and the safety valve is tripped.	Irregular functioning of the compressor or broken pressure switch.	Switch off compressor and contact Authorised Service Agent.



ENVIRONMENT PROTECTION

Recycle unwanted materials instead of disposing of them as waste. All tools, accessories and packaging should be sorted, taken to a recycling centre and disposed of in a manner which is compatible with the environment. When the product becomes completely unserviceable and requires disposal, drain any fluids (if applicable) into approved containers and dispose of the product and fluids according to local regulations.



WEEE REGULATIONS

Dispose of this product at the end of its working life in compliance with the EU Directive on Waste Electrical and Electronic Equipment (WEEE). When the product is no longer required, it must be disposed of in an environmentally protective way. Contact your local solid waste authority for recycling information.

Note: It is our policy to continually improve products and as such we reserve the right to alter data, specifications and component parts without prior notice.

Important: No Liability is accepted for incorrect use of this product.

Warranty: Guarantee is 12 months from purchase date, proof of which is required for any claim.

Sealey Group, Kempson Way, Suffolk Business Park, Bury St Edmunds, Suffolk. IP32 7AR



01284 757500



01284 703534



sales@sealey.co.uk



www.sealey.co.uk