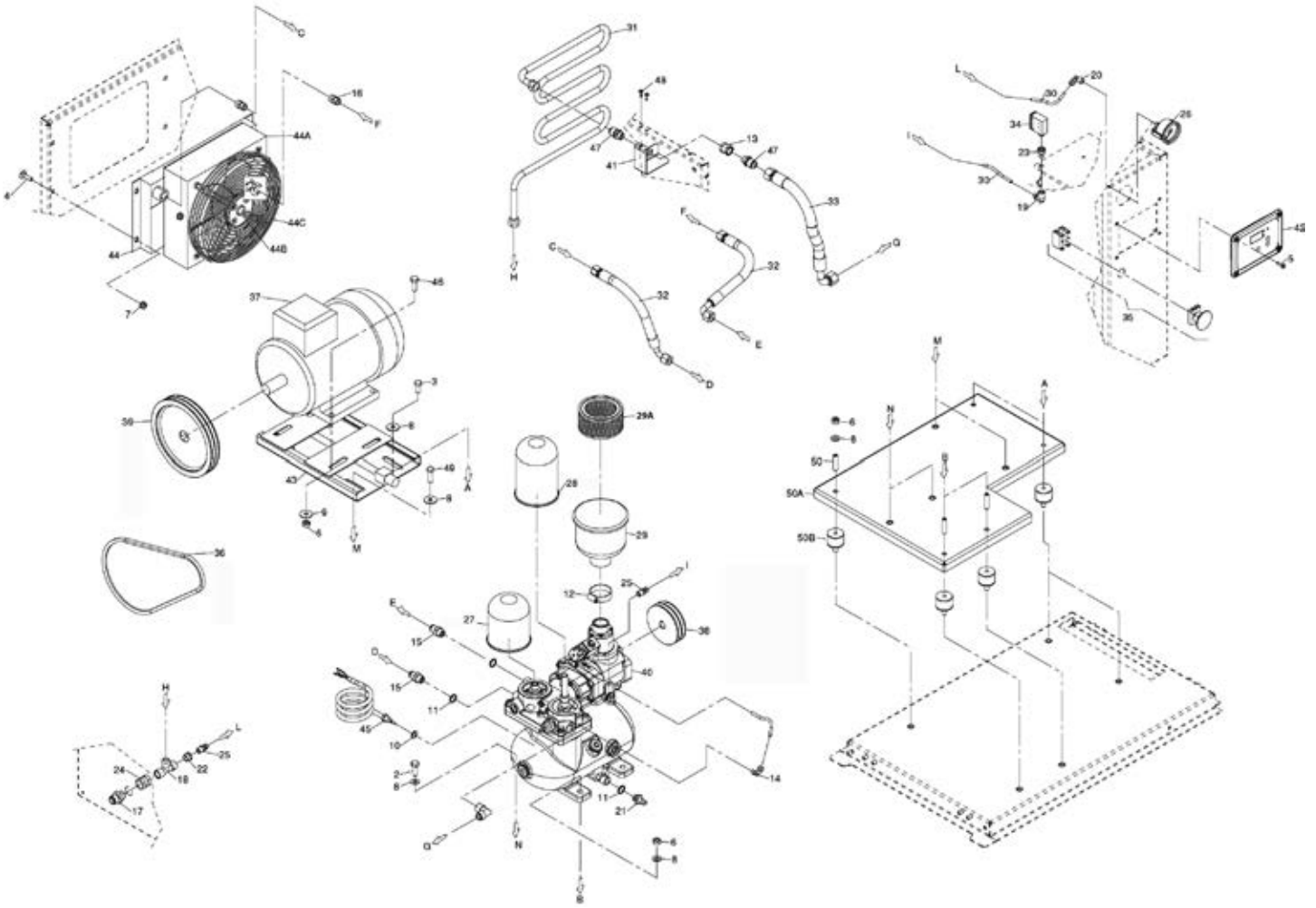




Parts Information:
Screw Compressor 270ltr 10hp 3ph Low
Noise
Model No: SSC12710



NOTE: It is our policy to continually improve products and as such we reserve the right to alter data, specifications and component parts without prior notice.

IMPORTANT: No liability is accepted for incorrect use of product.

WARRANTY: Guarantee is 12 months from purchase date, proof of which will be required for any claim.

Sealey Group, Kempson Way, Suffolk Business Park, Bury St Edmunds, Suffolk. IP32 7AR



01284 757500



01284 703534



sales@sealey.co.uk



www.sealey.co.uk



Parts Information:
Screw Compressor 270ltr 10hp 3ph Low Noise
Model No: SSC12710

Item	Part No.	Description
1	SAC4094910000	PANEL KIT
2	SAC7011160000	BOLT M10X30
3	SAC7011140000	SCREW (M10x20)
4	SAC7012610000	SCREW (M8x30)
5	SAC7014420000	SKT. HD BOLT M5X20
6	SN10.S	STEEL NUT M10 ZINC DIN934(SINGLE)
7	SN8.S	STEEL NUT M8 ZINC DIN934 (SINGLE)
8	FWM10.S	FLAT WASHER M10 SINGLE
9	RW1030.S	REPAIR WASHER M10x30 (SINGLE)
10	SAC7030670000	WASHER
11	SAC7030680000	WASHER
12	SAC7043140000	CLAMP
13	SAC6002803838	JOINT
14	SAC7080560000	ELBOW 3/8" UNF MALE-5mm PIPE
15	SAC7081340000	JOINT
16	SAC7085540000	JOINT
17	SAC7081311150	UNION 1/2"BSP X 2 L;40mm
18	SAC7082700000	JOINT 3-WAY
19	SAC7083280000	ELBOW
20	SAC7083290000	ELBOW
21	SAC7083940000	JOINT
22	SAC7085190000	FITTING 3/8"-1/4" M/F
23	SAC7085230000	ADAPTOR 1/4"BSP MALE-1/4"BSP FEMALE
24	SAC7085700000	UNION 1/2"BSP FEMALE X 2 L;26mm
25	SAC7086720000	JOINT
26	SAC7110400000	PRESSURE GAUGE 175 psi
27	SAC7211141150	OIL FILTER CARTRIDGE
28	SAC7211960000	OIL SEPARATOR CARTRIDGE

Item	Part No.	Description
29	SAC7216050000	AIR FILTER HOUSING
29A	SAC7212160010	AIR FILTER
30	SAC7233610000	RILSAN HOSE KIT
31	SAC7235870000	DEIVERY TUBE
32	SAC7235860000	OUTLET HOSE
33	SAC7238580000	DELIVERY TUBE
34	SAC7250690000	PRESSURE SWITCH
35	SAC4091080000	EMERGENCY PUSH BUTTON
36	SAC7371010000	BELT,RIBBED (ID-910)
37	SAC7385180000	MOTOR
38	SAC7406640000	PULLEY
39	SAC7407500000	PULLEY
40	SAC7423310000	SCREW UNIT
41	SAC7511790000	SUPPORT
42	SAC7433850000	ELECTRONIC PANEL
43	SAC7457030000	BELT TENSIONER
44	SAC7517530000	RADIATOR
44A	SAC7513660000	RADIATOR SUPPORT
44B	SAC7194430000	FAN
44C	SAC7194430010	FAN COVER
45	SAC7566200000	THERMAL SWITCH
46	SS1035.S	HEX HEAD SET SCREW M10x35mm SINGLE
47	SAC7081250000	JOINT
48	MSP516.S	MACHINE SCREW PAN HEAD PHILLIPS M5x16mm
49	SAC70111530000	SCREW (M10x16)
50	SAC7014540000	SCREW (M10x45)
50A	SAC7172540000	BASE
50B	SAC7364190000	SHOCK ABSORBER

NOTE: It is our policy to continually improve products and as such we reserve the right to alter data, specifications and component parts without prior notice.

IMPORTANT: No liability is accepted for incorrect use of product.

WARRANTY: Guarantee is 12 months from purchase date, proof of which will be required for any claim.

Sealey Group, Kempson Way, Suffolk Business Park, Bury St Edmunds, Suffolk. IP32 7AR



01284 757500



01284 703534

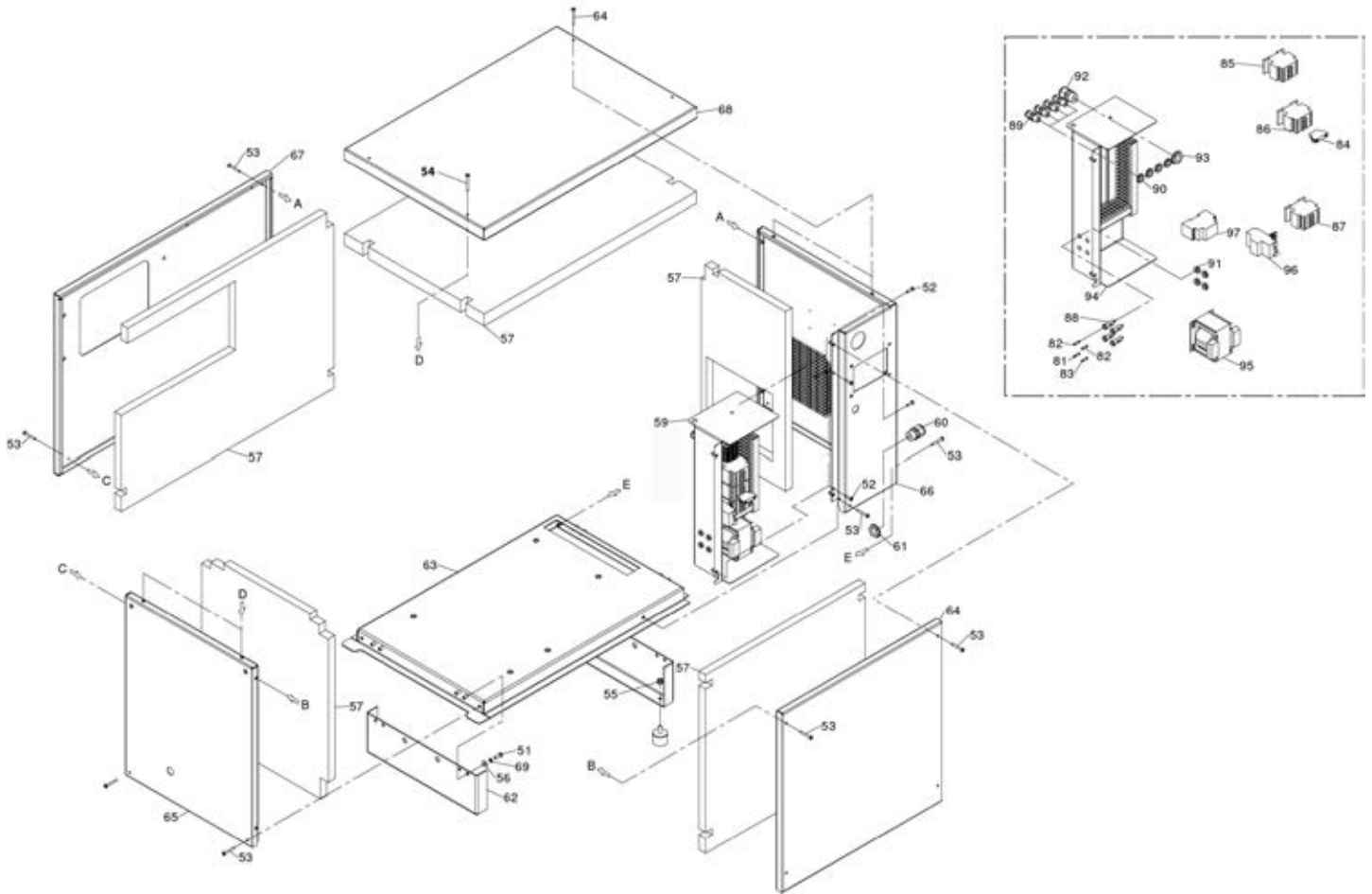


sales@sealey.co.uk



www.sealey.co.uk

Parts Information:
Screw Compressor 270ltr 10hp 3ph Low Noise
Model No: SSC12710



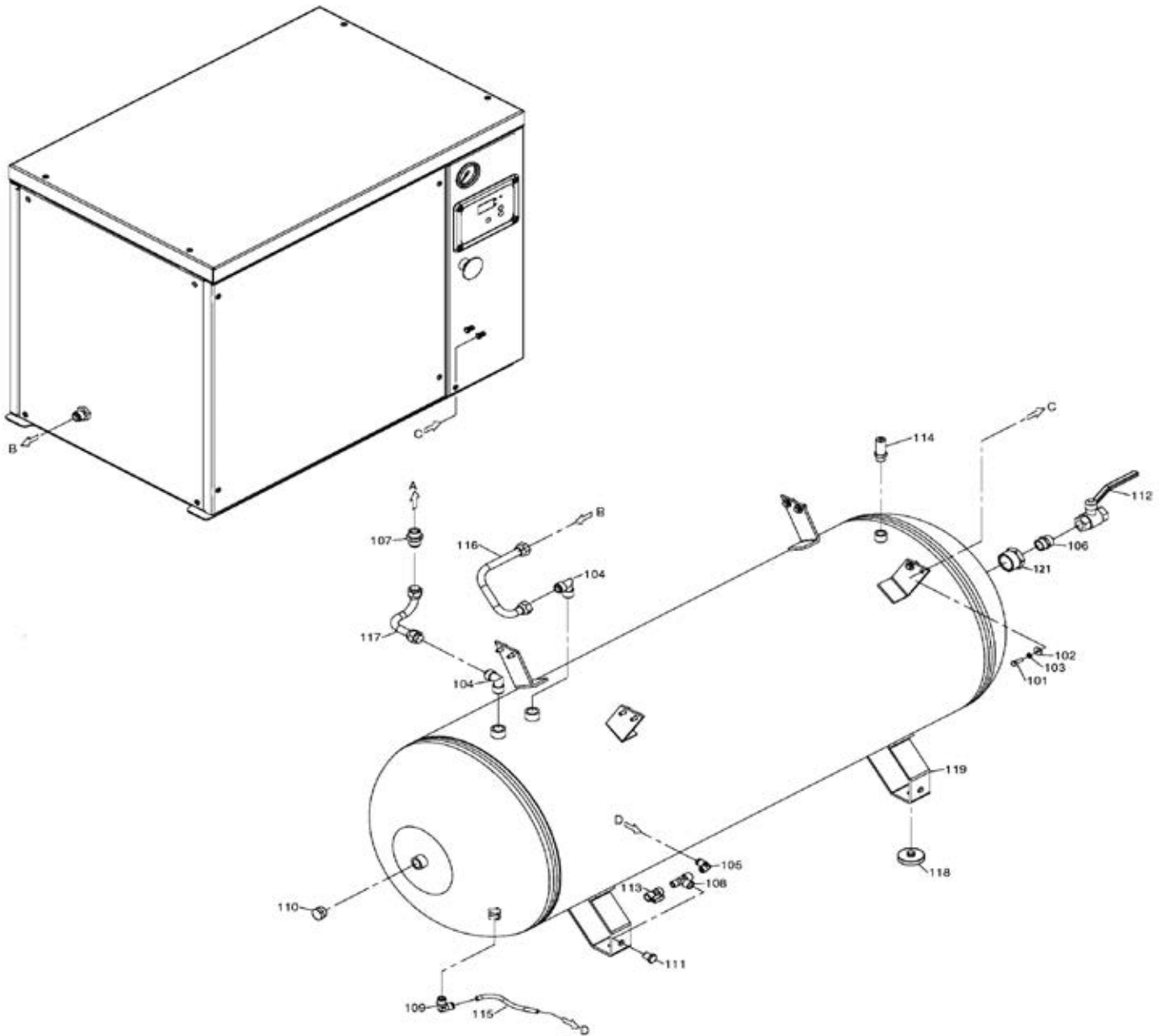
Item	Part No.	Description
51	SAC7011040000	SCREW (M6x20)
52	SAC7014420000	SKT. HD BOLT M5X20
53	SAC7014440000	SCREW (M5x40)
54	SAC7014450000	SCREW (M5x50)
55	SN8.S	STEEL NUT M8 ZINC DIN934 (SINGLE)
56	RW619.S	REPAIR WASHER M6x19 (SINGLE)
57	SAC7213520000	SOUNDPROF KIT
59	SAC7414750000	CONTROL BOX
60	SAC7500650000	ADJUSTER
61	SAC7500650010	LOCK NUT (M25)
62	SAC5167430008	FOOT
63	SAC7514120000	BASE
64	SAC7514130000	FRONT PANEL
65	SAC7514140000	SIDE PANEL
66	SAC7514150000	SIDE PANEL
67	SAC7514160000	REAR PANEL
68	SAC7514170000	UPPER PANEL
69	SAC7031030000	WASHER

Item	Part No.	Description
81	SAC7431640000	FUSE 1A (5x20)
82	SAC1127430272	FUSE 1A 5X20 DELAYED
83	SAC1127430273	FUSE 630MA 5X20 DELAYED
84	SAC7432780000	CONTACT
85	SAC7432260000	CONTACTOR (K1 & K2)
86	SAC7432260000	CONTACTOR (K1 & K2)
87	SAC7433510000	CONTACTOR (K3)
88	SAC7435000000	FUSE HOLDER
89	SAC7500430000	HEIGHT ADJUSTER
90	SAC7500430010	LOCK NUT (M16x1.5) PLASTIC
91	NLN12.S	NYLOC NUT M12 ZINC DIN 985 (SINGLE)
92	SAC7500650000	ADJUSTER
93	SAC7500650010	LOCK NUT (M25)
94	SAC7514180000	ELECTRIC BOX
95	SAC7564340000	TRANSFORMER
96	SAC7432420000	THERMAL RELAY
97	SAC7434070000	RELAY

NOTE: It is our policy to continually improve products and as such we reserve the right to alter data, specifications and component parts without prior notice.

IMPORTANT: No liability is accepted for incorrect use of product.

WARRANTY: Guarantee is 12 months from purchase date, proof of which will be required for any claim.



Item	Part No.	Description
101	SAC7011040000	SCREW (M6x20)
102	RW619.S	REPAIR WASHER M6x19 (SINGLE)
103	SAC7031030000	WASHER
104	SAC7080160000	ELBOW 1/2"BSP MALE X2
105	SAC7080970000	ELBOW 1/4"BSP MALE-8mm PIPE
106	SAC7081010000	UNION 1/2"BSP MALE X2 L;33mm
107	SAC7081311150	UNION 1/2"BSP X 2 L;40mm
108	SAC7082050000	CROSS CONNECTOR 1/4"
109	SAC7082820000	ELBOW 3/8"BSP MALE-8mm PIPE
110	SAC7090030000	PLUG 1/2

Item	Part No.	Description
111	SAC7090090000	PLUG 1/4"
112	SAC7130150000	BALL VALVE 1/2"BSP FEMALE-1/2"BSP MALE
113	SAC7130170000	BALL VALVE 1/4"BSP FEMALE X 2
114	SAC7192090000	SAFETY VALVE 10bar 3/8"BSP MALE
115	SAC7230080000	HOSE
116	SAC7235010000	DELIVERY TUBE
117	SAC7235020000	HOSE
118	SAC7360400000	RUBBER FOOT
119	SAC7475760000	TANK 300ltr
121	SAC7085120000	TANK PLUG

NOTE: It is our policy to continually improve products and as such we reserve the right to alter data, specifications and component parts without prior notice.

IMPORTANT: No liability is accepted for incorrect use of product.

WARRANTY: Guarantee is 12 months from purchase date, proof of which will be required for any claim.