

Thank you for purchasing a Sealey product. Manufactured to a high standard, this product will, if used according to these instructions and properly maintained, give you years of trouble free performance.



IMPORTANT: PLEASE READ THESE INSTRUCTIONS CAREFULLY. NOTE THE SAFE OPERATIONAL REQUIREMENTS, WARNINGS AND CAUTIONS. USE THE PRODUCT CORRECTLY AND WITH CARE FOR THE PURPOSE FOR WHICH IT IS INTENDED. FAILURE TO DO SO MAY CAUSE DAMAGE AND/OR PERSONAL INJURY AND WILL INVALIDATE THE WARRANTY. PLEASE KEEP INSTRUCTIONS SAFE FOR FUTURE USE.



1. SAFETY INSTRUCTIONS

- ✓ Familiarise yourself with the application and limitations of the compressor.
- ✓ Ensure that the compressor is in good order and condition before use. If in any doubt do not use the compressor and contact a service agent.
- ❑ **WARNING! Compressor must only be serviced by an authorised agent. DO NOT tamper with, or attempt to adjust the pressure switch or the safety valve.**
- ✓ Before moving or maintaining the compressor ensure that the air tank pressure has been vented.
- ✓ Only use recommended attachments and parts. Unapproved items may be dangerous and will invalidate the warranty.
- ✓ Read the instructions for any accessory used with the compressor. Ensure that the safe working pressure of any air appliance used, exceeds the output pressure of the compressor. If using a spray gun, check that the area selected for spraying is provided with an air change system or adequate ventilation.
- ✓ Ensure that the air supply valve is turned off before disconnecting the air supply hose.
- ✓ Use the compressor in a well ventilated area and ensure it is placed on a firm surface. **Remember that the compressor engine produces harmful exhaust fumes.**
- ✓ Keep tools and other items away from the compressor when it is in use, and keep work area clean.
- ✓ Ensure that air hoses are not tangled, twisted or pinched.
- ✓ Keep children and unauthorised persons away from the work area.
- ✗ **DO NOT** dis-assemble the compressor for any reason if you are not qualified to do so. The unit must be checked by qualified personnel only.
- ✗ **DO NOT** operate the compressor within the vicinity of flammable liquids, gases or solids.
- ✗ **DO NOT** touch compressor cylinder, cylinder head or pipe from head to tank as these may be hot and will remain so for some time after shutdown.
- ✗ **DO NOT** operate the compressor without all safety guards in place.
- ✗ **DO NOT** attempt to move the compressor by pulling the air tool hose.
- ✗ **DO NOT** use the compressor for a task for which it is not designed.
- ✗ **DO NOT** deface the certification plate attached to the compressor tank.
- ▲ **DANGER! DO NOT direct the output jet of air towards people or animals.**
- ✗ **DO NOT** operate the compressor without an air filter.
- ✗ **DO NOT** allow anyone to operate the compressor unless they have received full instructions.
- ✓ For safety instructions relative to the maintenance and use of the petrol engine - refer to the engine manufacturer's handbook supplied.
- ✗ **DO NOT** check the ignition system by removing the spark plug or spark plug lead. Use specific tester or contact service agent.
- ❑ **WARNING! DO NOT touch the spark plug or plug lead whilst the engine is running - severe, potentially fatal, electric shock may result.**
- ✓ Ensure that engine fuel is stored in an approved container. For long term storage ensure that the fuel tank is drained and that the compressor is adequately protected.
- ✗ **DO NOT** smoke or have any naked flames nearby whilst re-fuelling.
- ✗ **DO NOT** leave the compressor operating unattended.
- ✗ **DO NOT** remove the fuel cap, or try to refuel whilst the engine is running. Stop the engine and allow it to cool for two minutes before attempting to refuel.
- ✗ **DO NOT** refuel in a closed or poorly ventilated environment as there is a danger of explosion or fire. Refuel outdoors.
- ✗ **DO NOT** operate the compressor if there is a fuel leak. Move the unit to a safe area, where there is no risk of ignition, until the leak has been rectified and the machine is dry.
- ✗ **DO NOT** start the engine if there are any flammable materials near the exhaust system or in the path of the exhaust gases.
- ✗ **DO NOT** block the engine ventilation grilles.
- ✗ **DO NOT** cover the compressor or restrict air flow around the machine whilst it is operating.
- ❑ **WARNING! The air tank is a pressure vessel and the following safety measures apply:**
- ✗ **DO NOT** tamper with the safety valve and **DO NOT** modify or alter the tank in any way and **DO NOT** strap anything to the tank.
- ✗ **DO NOT** subject the tank to impacts, vibration or to heat and **DO NOT** allow contact with abrasive or corrosive materials.
- ✓ **DO drain condensation from tank daily and inspect inside walls for corrosion every 12 months.**
- ✓ **The tank shell must not fall below the certified thickness at any point.**
- ✓ When not in use, store the compressor carefully in a safe, dry, childproof location.
- ✓ **When the compressor is not in use, it should be switched off and the air drained from the tank.**

2. INTRODUCTION & SPECIFICATION

Static compressor with Honda GX200 6.5hp power unit coupled to heavy-duty, two stage twin piston, cast iron pump. Pump has heavy-duty full cast cylinders capped by alloy heads for improved heat dissipation and long life. Heavy-duty drive guard protects belt and flywheel that is designed to force air over the pump to aid cooling. Features single gauge and air outlet. Runs on unleaded fuel.

2.1. SPECIFICATION

Model No:SA1565
Engine Output:6.5hp
Speed:1500RPM
Noise Level:97dB.A
Noise LwA Level:99LwA
Air Displacement:20.9cfm
Maximum Free Air Delivery:15.2cfm
Width x Depth x Height:... 1360 x 540 x 1110mm
Tank Capacity:150ltr
Maximum Pressure:145psi/10bar
Weight:103kg

3. PREPARATION

- 3.1. Remove compressor from packaging and inspect for any missing or damaged parts. If anything is found to be missing or damaged contact your supplier.
- 3.2. Save the packing material for future transportation of the compressor. It is recommended to store the packing in a safe location, at least for the period of the guarantee. Then, if necessary, it will be easier to send the compressor to the service centre.
- 3.3. Take care to transport the compressor correctly, do not overturn it or lift it with hooks or ropes.
- 3.4. Position the compressor on a flat surface or with a maximum permissible inclination of 10°. Site in a well ventilated area. If the surface is inclined and smooth, check if the compressor moves whilst in operation.
If the surface is in a raised position, make sure the compressor cannot fall, securing it in a suitable way.
- 3.5. To ensure good ventilation and efficient cooling, the compressor's belt guard must be at least 100cm from any wall.
- 3.6. Before using the compressor, check the oil level by looking at the dipstick as shown in fig.5C. If the oil is not between the min and max. mark, it should be topped up with synthetic oil (see section 5.4. for recommended oils). We do not recommend using mineral oil in these compressors. Do not overfill.
- 3.7. The compressor should be located in a position that allows good air circulation around the unit and where there is good ventilation. **Remember that the compressor's engine produces harmful exhaust fumes.**

4. OPERATION

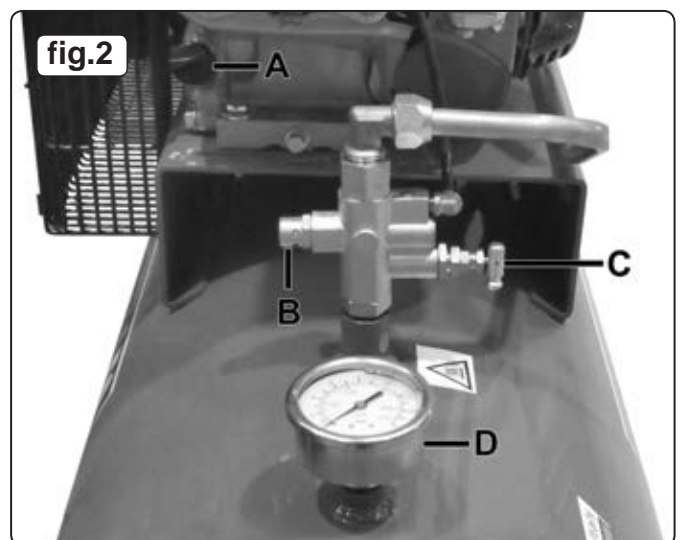
- WARNING! Ensure that you read, understand and apply Section 1 Safety Instructions.**

4.1. STARTING

IMPORTANT! Always check and, if necessary, top-up the engine oil and the pump oil before starting. Severe engine and/or pump damage may otherwise result.

- 4.1.1. Check that the air outlet valve on the tank end-plate (fig.1.A) is closed.
- 4.1.2. Start the compressor engine, following the procedure detailed in the manufacturer's handbook supplied. Ensure the oil is topped up. Oil filler/dipstick - fig.2A.
- 4.1.3. When the engine is running smoothly, the compressor will operate automatically, building up the pressure in the tank, which is shown on the pressure gauge (fig.2D), to the maximum setting (factory set). When the maximum tank pressure is reached, the relief valve (fig.2B) will automatically vent the pump output. When the tank pressure falls below the minimum threshold (approx.2bar/29psi less than the maximum pressure), the relief valve will automatically close, and the tank pressure will increase back to its maximum.

- Note:** a) If the relief valve does not cut in and out, but is continuously closed whilst using an air appliance, the capacity of the compressor may be too small for the equipment or tool.
b) The gauge (fig.2D) indicates the pressure inside the tank, NOT the pressure supplied to the air equipment. If the pressure in the tank exceeds the relief valve maximum, a safety valve (fig.5E) will open. **WARNING! For this reason DO NOT tamper with, or adjust, the relief valve or the safety valve.**



4.2. STOPPING.

- 4.2.1. To stop the compressor turn the engine ignition switch (fig.3) to Off (O). See the engine manufacturer's handbook for the complete engine shutdown procedure.

4.3. CONNECTING AIR POWERED EQUIPMENT.

- 4.3.1. After fitting the desired coupling to the outlet valve (fig.1) connect an air hose and hook up to air system. An outlet regulator is necessary to use air equipment direct from the compressor.

Note: To determine the correct working pressure and air flow requirements for any piece of equipment check the corresponding manual. Be aware that the air flow figure stated on tools and accessories refers to 'Free Air Delivery' and not the piston displacement of the compressor. When adjusting the regulator, always adjust **up to** the required pressure.

4.4. WHEN WORK IS COMPLETE.

At the end of each working day, drain any moisture from the main tank. Place a container under the drain plug and then carefully unscrew it (fig.4). **DO NOT** allow moisture to accumulate in the tank as this will corrode the inside of the tank and affect the pressure rating of the tank.

WARNING! Wear safety goggles and gloves when performing this task.

5. MAINTENANCE

In order to keep the compressor in good working condition, periodic maintenance is essential.

IMPORTANT! Failure to carry out maintenance tasks may invalidate the warranty on your compressor.

WARNING! Service and maintenance must be performed by an authorised agent. DO NOT tamper with, or attempt to adjust, the pressure switch or safety valve. Before moving, or carrying out any maintenance on the compressor, ensure that the ignition switch is 'off', that the air tank pressure has been vented and the compressor has been allowed to cool down for a period of time.

5.1. ENGINE.

For all engine maintenance, please refer to the engine manufacturer's handbook (supplied) for the full schedule.

5.2. COMPRESSOR.

5.2.1. Operations to be carried out after the first 50 working hours:

- Check that all bolts/nuts are tight, particularly those retaining the crank case and cylinder head.
- Replace the lubricating oil - see para 5.2.5.

5.2.2. Operations to be carried out daily:

- Drain condensation by opening the valve (fig.4) located under the tank.
- Check oil level (fig.5C) and, if necessary, top-up.
- Check guards/covers are secure.
- Check for oil leaks.
- Check for unusual noises or vibrations.
- Check for air leaks.

5.2.3. Operations to be carried out weekly:

(or more frequently, if the compressor operates in a very dusty atmosphere):

- Remove the air filter element by undoing the screw (fig.5B) and removing the filter cover. Clean the filter by blowing through from the clean side, with an air line at low pressure. Replace filter, cover and screw. **DO NOT** operate compressor without filter as foreign bodies or dust could damage the pump and will invalidate warranty.

WARNING! Wear safety goggles when performing this task.

- Clean compressor.
- Check that the relief valve, vents pump output and reduces engine speed when maximum pressure is reached.

Also that the compressor restarts pressure build up automatically at 2bar below max pressure.

5.2.4. Operations to be carried out monthly:

- Check belt tension. A weight of 3kg applied at the belt mid-point should give a deflection of approximately 10mm (fig.6). If adjustment is required, maintain the alignment of the two pulleys (fig.6). Adjust by repositioning the engine, using the screw adjuster provided in the base plate.

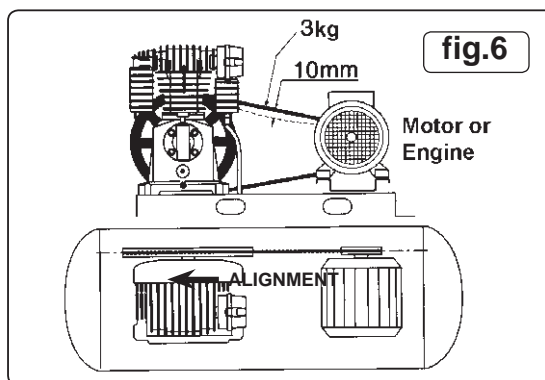
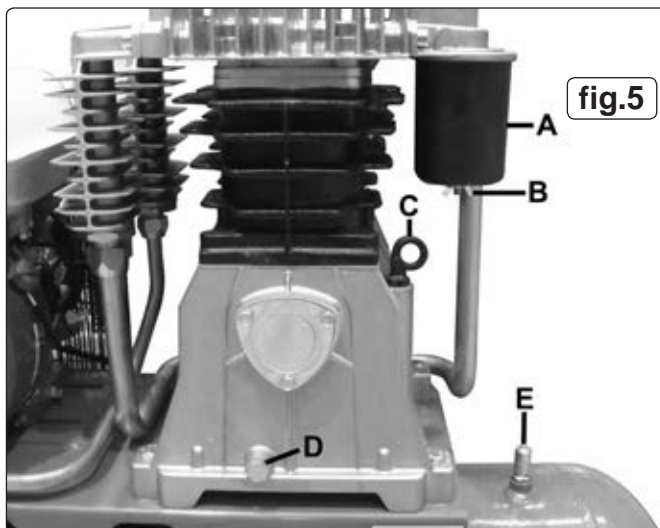
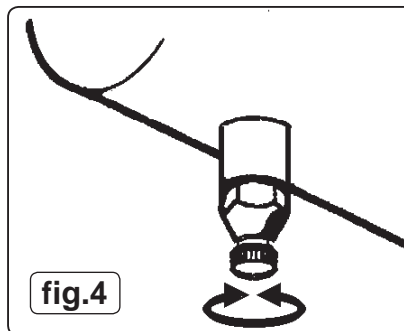
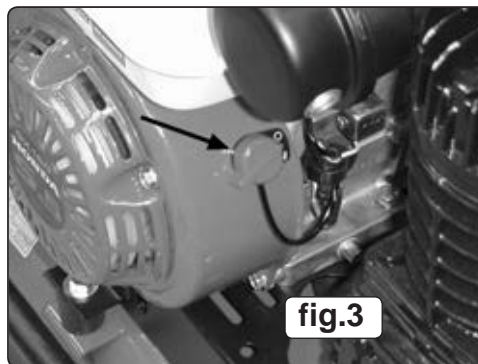
5.2.5. Operations to be carried out every 200 working hours:

- Change air filter element. (See 5.2.3).
- Replace the lubricating oil. For oil specifications see 5.4. Remove the dipstick (fig.5C) and (after placing a suitable container under it) undo the oil drainer (fig.5D). Drain when the compressor has recently run, so the oil is hot, the oil will drain rapidly and completely. Replace the oil drainer and refill through the filler aperture. Do not overfill. Replace the dipstick.

WARNING! Never mix different oils and do not use non-detergent/low quality oils as the compressor may be damaged and will invalidate the warranty.
WARNING! Dispose of waste oil only in accordance with local authority requirements.

- Check all tube fittings and electrical connections.
- Inspect pressure tank inside and out for damage or corrosion.

NOTE: It is recommended that every two years (or approximately every 1600 working hours), the compressor is returned to an authorised dealer for a complete inspection.



5.3. SCHEDULED MAINTENANCE TABLE (NOT ENGINE)

Maintenance Operations.	Daily.	Weekly.	Monthly.	200 hrs.
Drain condensation.	●			
Check oil level.	●			
Check guards/covers.	●			
Check for oil leaks.	●			
Check for noise or vibration.	●			
Check for air leaks.	●			
Clean compressor.		●		
Clean air filter.		●		
Check safety relief valve.		●		
Check belt tension.			●	
Change pump oil.				●
Replace air filter.				●
Check fittings.				●
Inspect Pressure Tank.				●

5.4. Recommended oils

Synthetic oil suitable for temperatures ranging from -5°C to 45°C: viscosity 5W50. We **DO NOT** recommend using mineral oil in this compressor.

Part No.	Qty.	Description
FSO1	1ltr x 12	Compressor oil fully synthetic
FSO1S	1ltr x 1	Compressor oil fully synthetic
FSO5	5ltr x 1	Compressor oil fully synthetic

5.5. IMPORTANT WARNING - Air contaminants taken into the compressor will affect optimum performance. Example: Body filler dust or paint overspray will clog the pump intake filter and may cause internal damage to pump/motor components. Please note that any parts damaged by any type of contamination will not be covered by warranty.

6. TROUBLE SHOOTING

Fault	Cause	Remedy
Pressure drop in the tank.	Air leaks at connections.	Run compressor to max. pressure, switch off. Brush soap solution over connections and look for bubbles. Tighten connections showing leaks. If problem persists contact Authorised Service Agent.
Pressure switch valve leaks when compressor is idle.	Non-return valve seal defective.	Discharge all tank pressure. Contact Authorised Service Agent.
Compressor stops and does not restart.	Power failure. Motor failure.	Check electricity supply and fuse. Contact Authorised Service Agent.
Compressor does not stop at max pressure.	Pressure switch fault.	Contact Authorised Service Agent.
Compressor does not reach max pressure.	Filter clogged. Head gasket or valve fault.	Replace filter element. Contact Authorised Service Agent.
Compressor noisy with metallic knock.	Low oil level. Bearing or piston damage.	Turn off and top up oil immediately. Contact Authorised Service Agent.

Environmental Protection.



Recycle unwanted materials instead of disposing of them as waste. All tools, accessories and packaging should be sorted, taken to a recycle centre and disposed of in a manner which is compatible with the environment.



When the product is no longer required, it must be disposed of in an environmentally protective way.

Parts support is available for this product. To obtain a parts listing and/or diagram, please log on to www.sealey.co.uk, email sales@sealey.co.uk or phone 01284 757500.

NOTE: It is our policy to continually improve products and as such we reserve the right to alter data, specifications and component parts without prior notice.

IMPORTANT: No liability is accepted for incorrect use of this product.

WARRANTY: Guarantee is 12 months from purchase date, proof of which will be required for any claim.

INFORMATION: For a copy of our latest catalogue and promotions call us on 01284 757525 and leave your full name and address, including postcode.



Sole UK Distributor, Sealey Group,
Kempson Way, Suffolk Business Park,
Bury St. Edmunds, Suffolk,
IP32 7AR



01284 757500



www.sealey.co.uk



01284 703534



sales@sealey.co.uk

