



INSTRUCTIONS FOR:

MOBILE BIN STORAGE SYSTEMS

MODEL NO'S: **TPS22, TPS36, TPS72**

Thank you for purchasing a Sealey product. Manufactured to a high standard, this product will, if used according to these instructions and maintained properly, give you years of trouble free performance.

IMPORTANT: PLEASE READ THESE INSTRUCTIONS CAREFULLY. NOTE THE SAFE OPERATIONAL REQUIREMENTS, WARNINGS & CAUTIONS. USE THE PRODUCT CORRECTLY AND WITH CARE FOR THE PURPOSE FOR WHICH IT IS INTENDED. FAILURE TO DO SO MAY CAUSE DAMAGE AND/OR PERSONAL INJURY AND WILL INVALIDATE THE WARRANTY. KEEP THESE INSTRUCTIONS SAFE FOR FUTURE USE.



Refer to Instruction Manual

1. SAFETY

- ❑ **WARNING!** Ensure Health & Safety, and local authority regulations are adhered to when assembling and using this storage system.
- ✓ Locate storage system in a suitable area where it will not be an obstruction.
- ✓ Keep the general area clean, uncluttered and ensure there is adequate lighting.
- ❑ **WARNING!** Erect storage system on a level and solid surface such as concrete.
- ✓ Keep children and unauthorised persons away from the storage area.
- x **DO NOT** use the storage system for any purpose other than that for which it is designed.
- x **DO NOT** site the storage system out of doors.
- x **DO NOT** get the storage system wet or use in damp or wet locations or areas where there is condensation.
- x **DO NOT** clean the shelf supports with any solvents which may damage the coated surface.
- ✓ Ensure that the storage system is properly assembled before loading with heavy items.
- ✓ Load for each shelf must be evenly distributed.
- ✓ Place heavier items on the lower shelves of the storage system.
- ✓ Always **push** the storage system from the sides, pushing from the front or back creates a tipping hazard.

2. INTRODUCTION

Powder coated steel racks with robust composite storage bins evenly spread across multiple shelves. Mounted on heavy-duty castors (two or four lockable, depending on model) for mobility. Unit can hold up to a maximum weight of 60kg - 150kg (Model dependant) evenly spread across the bins. Optional fixing kit available allowing multiple units to be joined together - order Model No. TPSJK.

3. SPECIFICATION

Model No:	TPS22	TPS36	TPS72
Dimensions (W x D x H):			
Overall Size:	850 x 385 x 840mm	855 x 385 X 1710mm	1710 x 385 x 1710mm
Small Bin:	140 x 380 x 90mm (x15)	140 x 380 x 90mm (x15)	140 x 380 x 90mm (x30)
Large Bin:	170 x 380 x 180mm (x4)	170 x 380 x 180mm (x12)	170 x 380 x 180mm (x24)
Extra-Large Bin:	245 x 380 x 180mm (x3)	245 x 380 x 180mm (x9)	245 x 380 x 180mm (x18)
Weight:	29kg	39kg	77kg

4. ASSEMBLY

TPS22 & TPS36

4.1. Take the four uprights and insert the four castors into the bottom of each. See fig.1. Ensure the castors are fully seated.

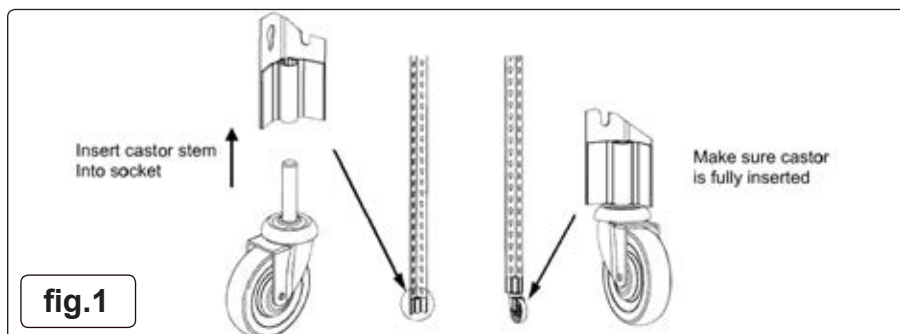
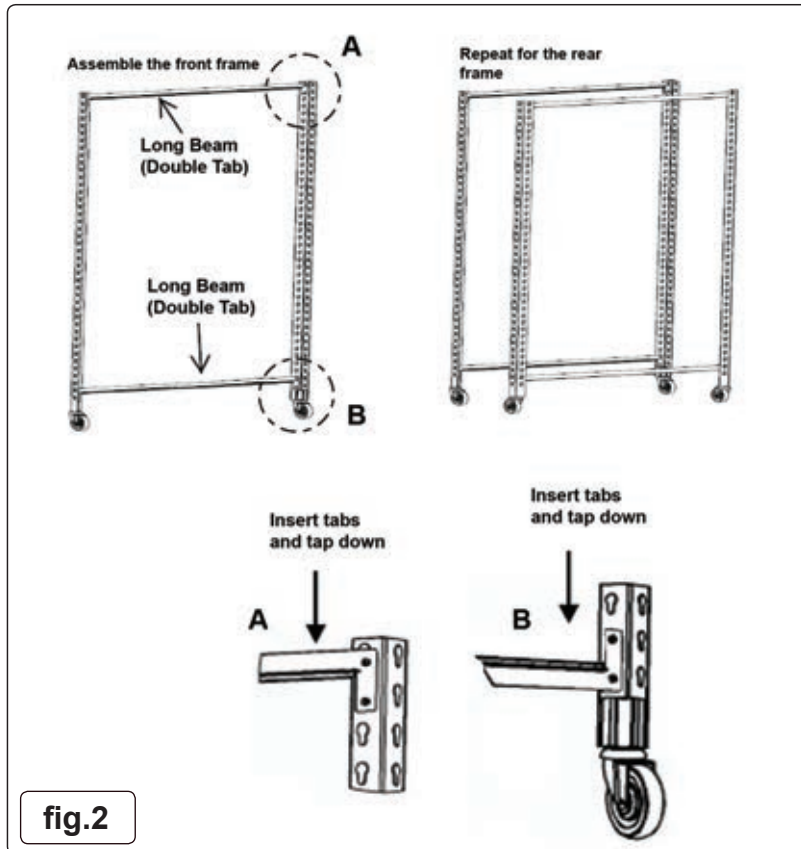


fig.1

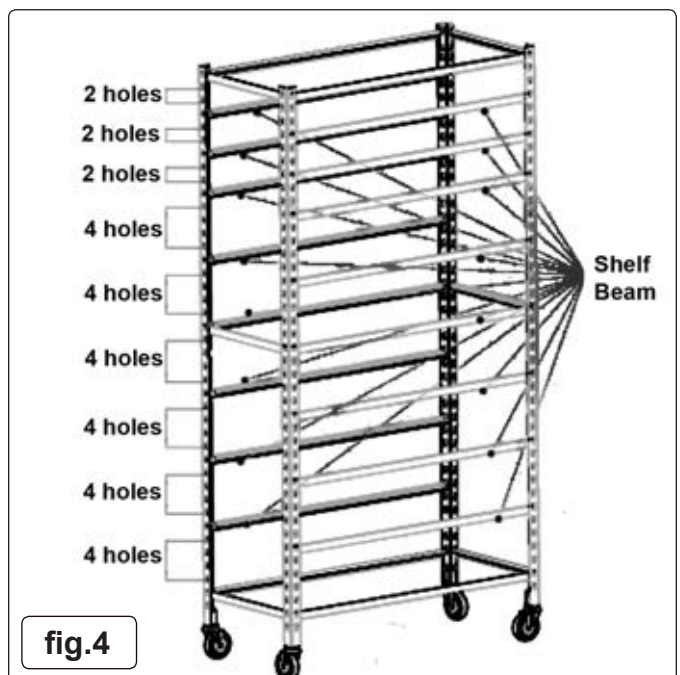
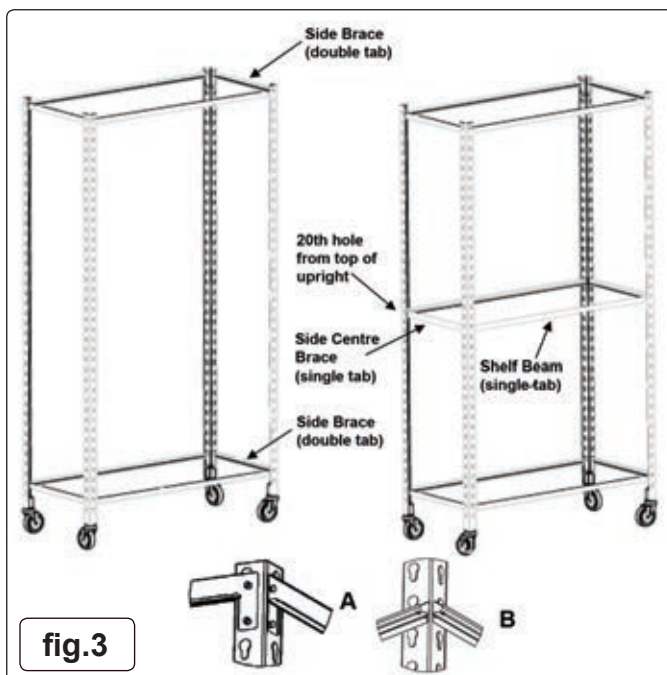
4.2 Assembling the front and back frames.

4.2.1. Take two of the uprights with locking castors and insert long beam between the two uprights at the top and bottom (fig.1). Ensure the beams are the correct way up (fig.2A/B) and seated correctly, use a soft faced mallet to tap the beams home.

4.2.2. Repeat process for the other two uprights using the non-locking castors.



- 4.3. Attach the front and rear frame together using the smaller side braces with the double tabs, insert at the top and bottom of the frames (fig.3A). Ensure again they are the correct way up and that the locking castors are at the front.
- 4.4. Between the two uprights Install the centre braces (single tab) half way up the frames. See fig.3B.
- 4.5. **TPS36 ONLY** - As well as the side braces attach front and rear beam (single tab) exactly half way up the frame, front and back (fig.3B).



- 4.6. Insert the remaining cross beams in the frame using fig.4 and fig.5 to space them correctly. Ensure the beams are the correct way around to hold the wire shelves (fig.4, fig.5). As before use a soft faced mallet to tap the beams into place.

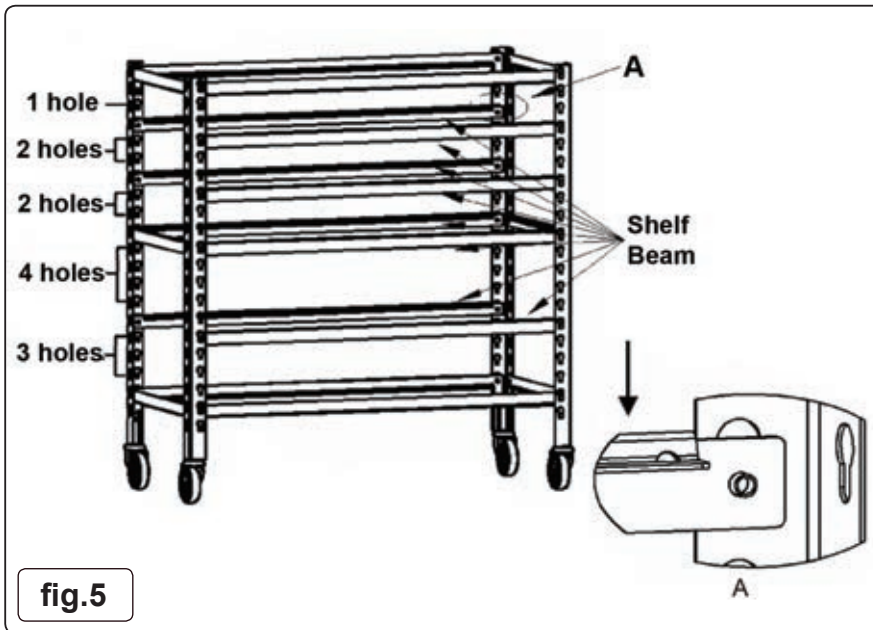
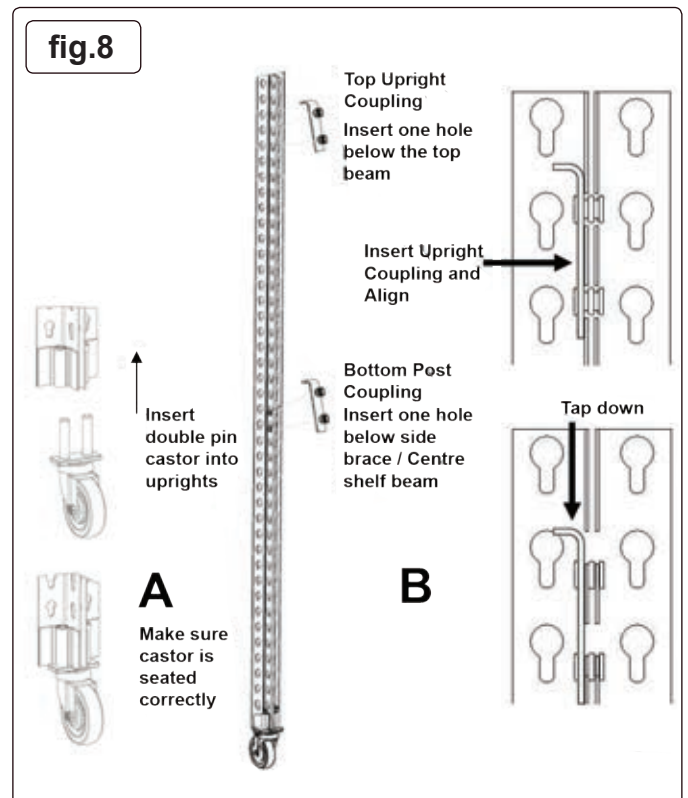
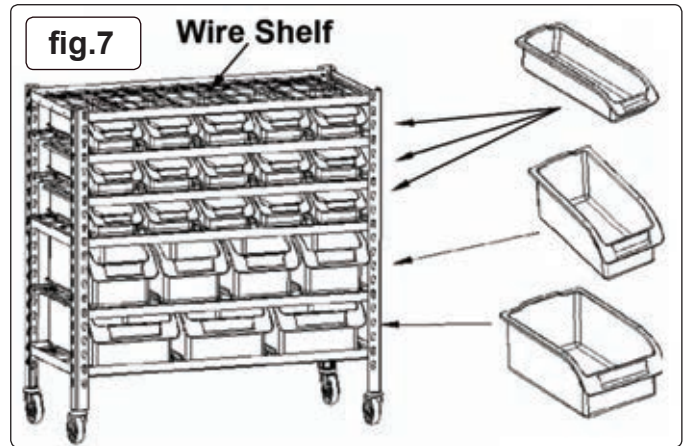
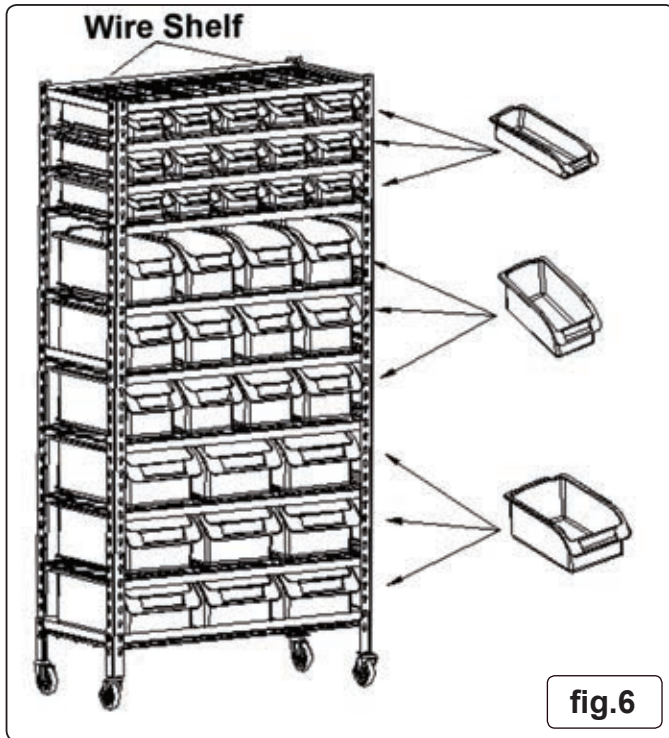


fig.5

4.7. Starting at the bottom place the wire shelves into the frame ensuring the shelves for the larger bins are at the bottom and the shelves for the smaller bins are at the top. Place the flat wire shelf on the top. The storage system is now ready to use.



- 4.8. **TPS72**
- 4.8.1. Take four uprights and link using top and bottom couplings (fig.8.B).
- 4.8.2. Insert the double pin castors into the uprights, ensuring that they seat correctly (fig.8.A).
- 4.8.3. Fit the remaining castors to the remaining four uprights (fig.1)
- 4.8.4. Complete assembly as in sections 4.2 to 4.7.



TPS22



TPS36



TPS72

Environmental Protection



Recycle unwanted materials instead of disposing of them as waste. All tools, accessories and packaging should be sorted, taken to a recycling centre and disposed of in a manner which is compatible with the environment. When the product becomes completely unserviceable and requires disposal, dispose of it according to local regulations.

NOTE: It is our policy to improve products continually and as such we reserve the right to alter data, specifications and component parts without prior notice.

IMPORTANT: No liability is accepted for incorrect use of this product.

WARRANTY: Guarantee is 12 months from purchase date, proof of which will be required for any claim.



Sole UK Distributor, Sealey Group,
Kempson Way, Suffolk Business Park,
Bury St. Edmunds, Suffolk,
IP32 7AR



01284 757500

01284 703534



www.sealey.co.uk

sales@sealey.co.uk