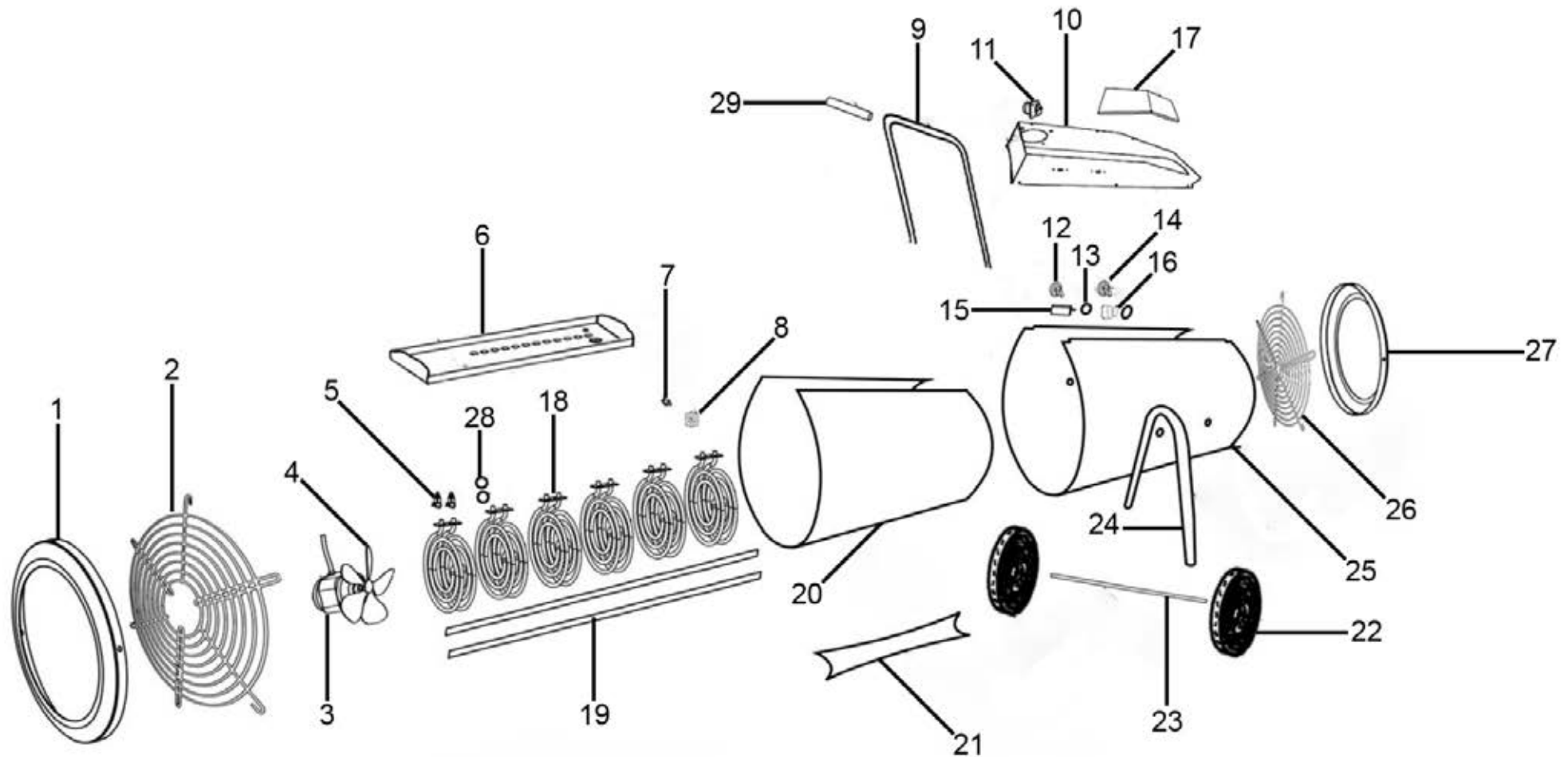




Parts Information:
Industrial Fan Heater 15kW 415V 3ph
Model No: EH15001



NOTE: It is our policy to continually improve products and as such we reserve the right to alter data, specifications and component parts without prior notice.

There may be alternative versions of this product, please contact us should you require this information.

IMPORTANT: No liability is accepted for incorrect use of product. Spare parts must be fitted by a competent person

WARRANTY: Guarantee is 12 months from purchase date, proof of which will be required for any claim.

Sealey Group, Kempson Way, Suffolk Business Park, Bury St Edmunds, Suffolk. IP32 7AR



01284 757500



01284 703534



sales@sealey.co.uk



www.sealey.co.uk



Parts Information:
Industrial Fan Heater 15kW 415V 3ph
Model No: EH15001

Item	Part No.	Description
1	EH15001.01	Rear Cover, Grille
2	EH15001.02	Grille, Rear
3	EH15001.03	Motor
4	EH15001.04	Fan, Motor
5	EH15001.05	Clip, Sensor
6	EH15001.06	Support, Element (Upper)
7	EH15001.07	Time Delay Thermostat
8	EH15001.08	Thermal Cut-Out
9	EH15001.09	Handle
10	EH15001.10	Control Box, Left
11	EH15001.11	Socket
12	EH15001.12	Knob, Mode Selection
13	EH15001.13	Selection Ring
14	EH15001.14	Knob, Thermostat
15	EH15001.15	Switch, Rotary
16	EH15001.16	Thermostat
17	EH15001.17	Cover, Control Box

Item	Part No.	Description
18	EH15001.18	Heating Element
19	EH15001.19	Support, Element (Lower)
20	EH15001.20	Casing, Inner
21	EH15001.21	Connect Plate
22	EH30001.22	Wheel, Fixed
23	EH15001.23	Axle
24	EH15001.24	Foot
25	EH15001.25	Casing, Outer
26	EH15001.26	Grille, Front
27	EH15001.27	Front Cover, Grille
28	EH15001.28	Insulation Ring
29	EH15001.29	Grip Handle
--	EH15001.10A	Control Box, Right (Not Shown)
--	EH15001.30	Clamp, Fan (Not Shown)
--	EH15001.31	Protective Ring (Not Shown)
--	EH15001.32	Bracket, Fixed (Not Shown)
--	EH15001.FK	Fixing Kit (Not Shown)

NOTE: It is our policy to continually improve products and as such we reserve the right to alter data, specifications and component parts without prior notice. There may be alternative versions of this product, please contact us should you require this information.

IMPORTANT: No liability is accepted for incorrect use of product. Spare parts must be fitted by a competent person

WARRANTY: Guarantee is 12 months from purchase date, proof of which will be required for any claim.

Sealey Group, Kempson Way, Suffolk Business Park, Bury St Edmunds, Suffolk. IP32 7AR



01284 757500



01284 703534



sales@sealey.co.uk



www.sealey.co.uk