



INSTRUCTIONS FOR
DROP SPREADER 27KG WALK BEHIND
 MODEL NO: **SPD27W**

Thank you for purchasing a Sealey product. Manufactured to a high standard, this product will, if used according to these instructions, and properly maintained, give you years of trouble free performance.

IMPORTANT: PLEASE READ THESE INSTRUCTIONS CAREFULLY. NOTE THE SAFE OPERATIONAL REQUIREMENTS, WARNINGS & CAUTIONS. USE THE PRODUCT CORRECTLY AND WITH CARE FOR THE PURPOSE FOR WHICH IT IS INTENDED. FAILURE TO DO SO MAY CAUSE DAMAGE AND/OR PERSONAL INJURY AND WILL INVALIDATE THE WARRANTY. KEEP THESE INSTRUCTIONS SAFE FOR FUTURE USE.



Refer to instruction manual

1. SAFETY

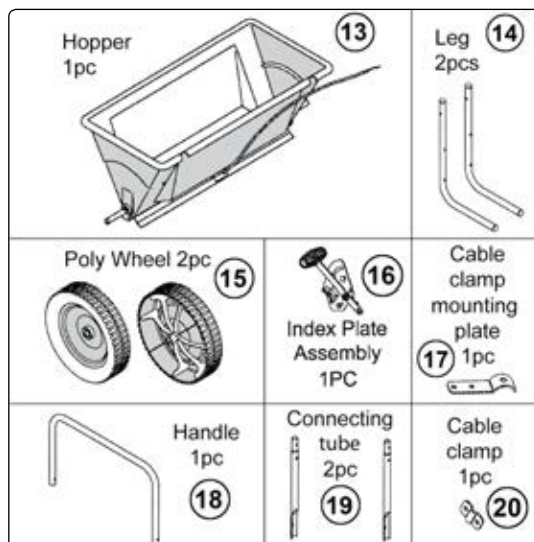
- ✓ Before each use, check that there is no damage to the spreader and that all fixings are tight.
- ✓ Replace or repair damaged parts. *Use only recommended parts. Unauthorised parts may be dangerous and will invalidate the warranty.*
- ✓ Ensure that all chemical safety instructions are adhered to when handling products for use in the spreader. A full range of personal safety equipment is available from your Sealey dealer.
- ✓ Always distribute the load evenly.
- ✓ Ensure all non essential personnel keep a safe distance when the spreader is in use.
- ✓ Keep hands and feet away from moving parts.
- ✗ **DO NOT** overload the spreader - see Specification.
- ✗ **DO NOT** leave unattended, especially when loaded.
- ✗ **DO NOT** allow anybody to sit, stand, or ride on the spreader.
- ✗ **DO NOT** allow untrained personnel to use the spreader.
- ✗ **DO NOT** allow children to play in or climb onto the spreader.
- ✗ **DO NOT** use on windy days when spreading seeds or herbicides.
- ✗ **DO NOT** tow this spreader with a motorized vehicle of any sort.
- ✗ **DO NOT** use the spreader for purposes other than for which it is designed.
- ✗ **DO NOT** operate the spreader when you are tired or under the influence of alcohol, drugs or intoxicating medicines.
- ✓ When loaded, **DO NOT** operate the spreader over edges, rough surfaces etc. where the spreader is at risk of overturning.
- ☐ **WARNING!** Failure to comply with these instructions may result in damage to spreader or other property and/or personal injury.

2. INTRODUCTION

Manufactured with a strong tubular steel frame and polyethylene dispensing hopper. Fitted with adjustable feed system to control feed quantities. Designed to spread in a continuous line providing a more accurate application. Suitable for a variety of horticultural agents including grit, seed, salt, fertiliser and weed killer.

3. SPECIFICATION

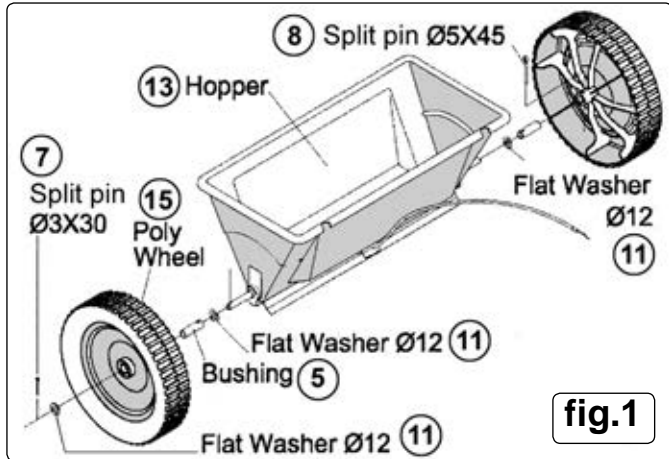
Model no:.....SPD27W
 Capacity (weight):.....27kg
 Capacity (volume):25ltr
 Weight:5kg
 Dimensions (W x D x H): 740 x 810 x 775mm



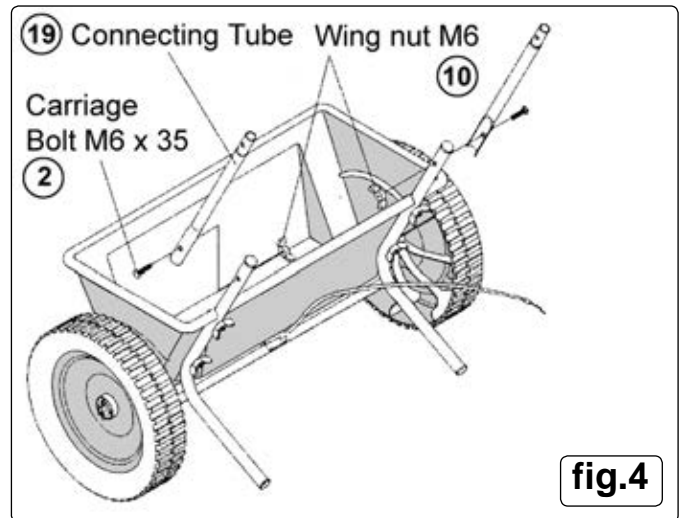
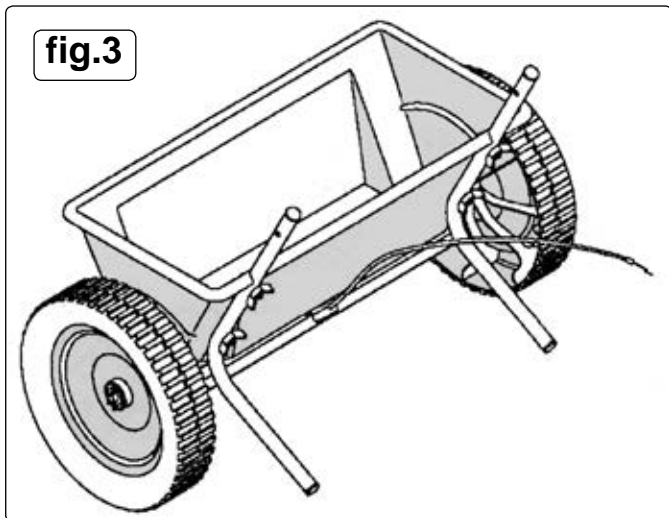
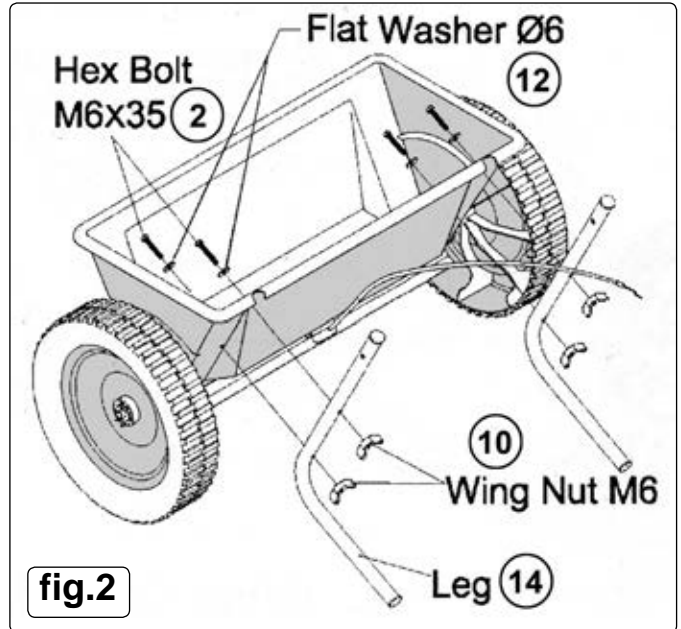
Hex Bolt M6x30 4PCS ①	Hex Bolt M6x35 4PCS ②	Screw M5x10 2PCS ③
Carriage Bolt M6x35 2PCS ④	Bushing 2PCS ⑤	Lock Nut M5 2PCS ⑥
Split Pin Øx30 1PC ⑦	Split Pin Ø5x45 1PC ⑧	Lock Nut M6 2PCS ⑨
Wing Nut M6 8PCS ⑩	Flat washer Ø12mm 3PCS ⑪	Flat washer Ø6mm 4PCS ⑫

4. ASSEMBLY

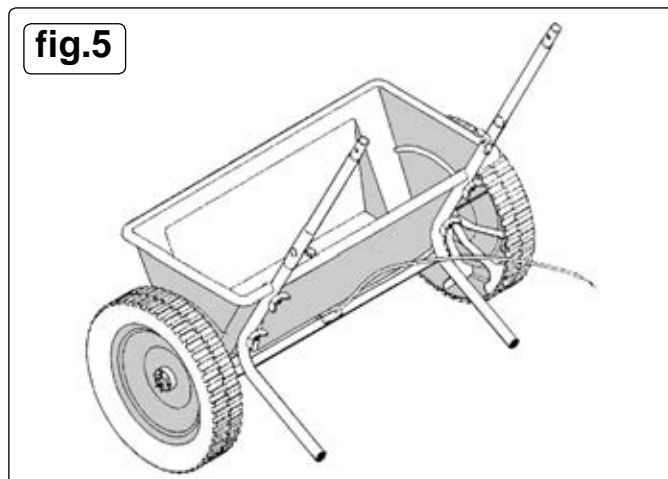
- 4.1. Please note that the two wheels are assembled to the axle differently. The left hand wheel (as seen from the handle side of the hopper) is free wheeling. The right hand wheel drives the blades within the hopper. Referring to fig.1 assemble the left hand wheel first by sliding a Ø12mm flat washer (11) onto the axle followed by a bushing (5). Slide a wheel (15) over the bushing followed by another Ø12mm flat washer (11). Insert the smaller split pin Ø3mm x 30 (7) through the holes in the end of the axle and retain the assembly by bending it over.
- 4.2. Slide another washer (11) and bushing (5) over the axle on the other side of the hopper ensuring that the holes in the bushing are adjacent to the side of the hopper. Slide the other wheel over the bushing and align the holes in the inner hub of the wheel with the holes in the bushing and the hole through the axle. Retain this assembly by inserting the larger split pin Ø5mm x 45 (8) through all three components. Retain the assembly by bending over the split pin.



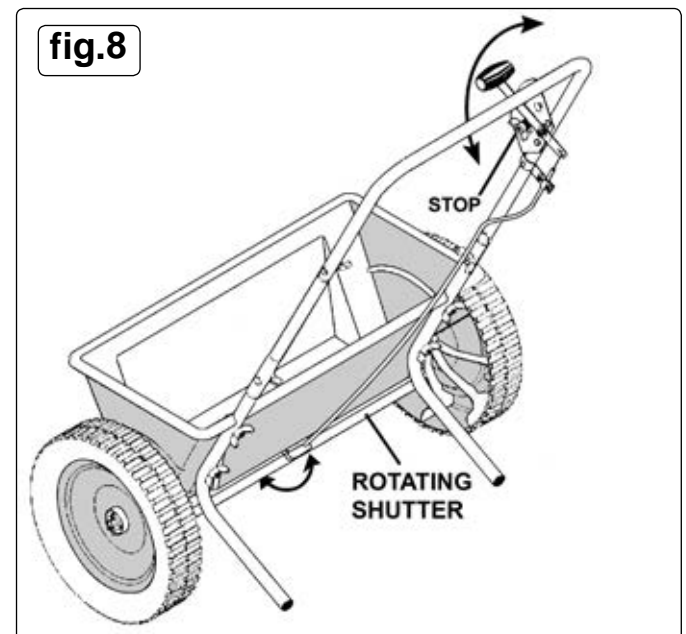
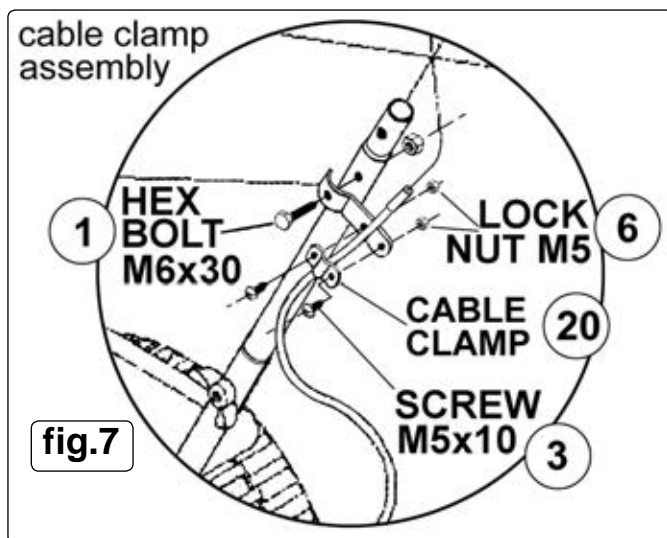
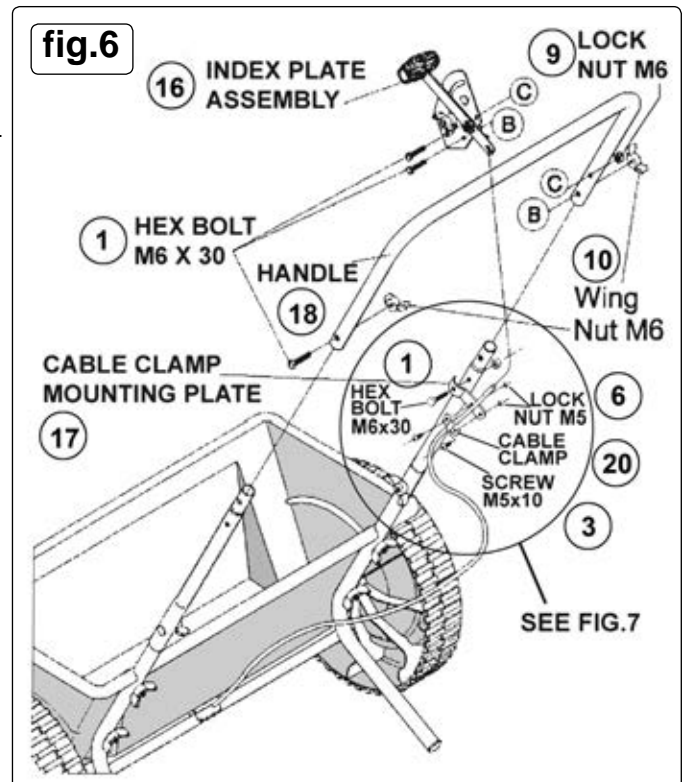
- 4.3. Referring to fig.2 take two M6 x 35mm bolts (2) and drop two Ø6mm washers (12) onto them. Align one leg (14) with the holes in the hopper and insert the bolts through the hopper and the leg. Screw a wing nut (10) onto each bolt and tighten them up to draw the leg firmly up against the hopper. Attach the other leg to the hopper in the same way. See fig.3.



- 4.4. Referring to fig.4, assemble a connecting tube (19) to each leg using an M6 x 35mm hex headed bolt (2) and an M6 Wing nut (10). Firmly tighten each nut as shown in fig.5.



- 4.5. Referring to fig.6, push the handle onto the connecting tubes and fix in place using an M6 x 30mm bolt (1) and an M6 Wing nut (10) at each connection. Firmly tighten each wing nut.
- 4.6. Referring to fig.6, insert the bent end of the control cable through the hole at the bottom of the index plate lever and then attach the index plate assembly to the right hand side of the handle using an M6 x 30mm bolt (1) together with the existing M6 lock nut (9) and wing nut (10) used to mount the handle (18).
- 4.7. Attach the cable clamp mounting plate (17) to the connecting tube just below the index plate assembly using one M6 x 30mm bolt (1) with an M6 lock nut (9) as shown in fig.7. Lay the control cable onto the mounting plate between the screw holes and lay the cable clamp (20) over the cable and clamp it lightly in place using two M5 x 10 screws (3) and two M5 locknuts (6).
- 4.8. Referring to fig.8, push the index plate lever to the bottom of its travel and make sure that the distribution slots on the underside of the hopper are not covered by the rotating shutter. Now fully tighten the cable clamp.
- 4.9. Test the action of the lever to ensure that the rotating shutter successfully exposes and hides the distribution slots.
- 4.10. When the required distribution rate is achieved, the stop and wing nut fitted in the lever slot can be brought up to the bottom of the lever to fix its position. See fig.8.

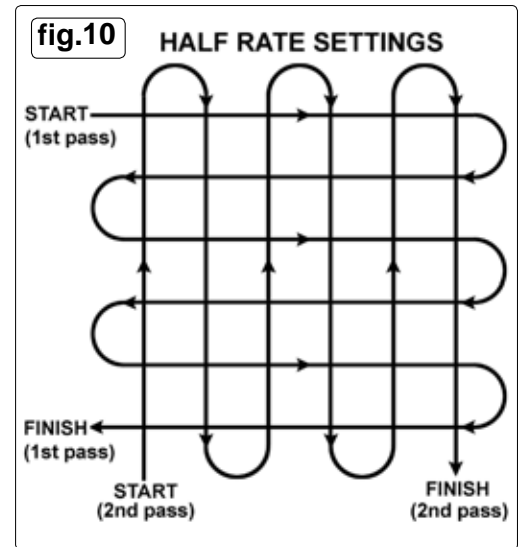
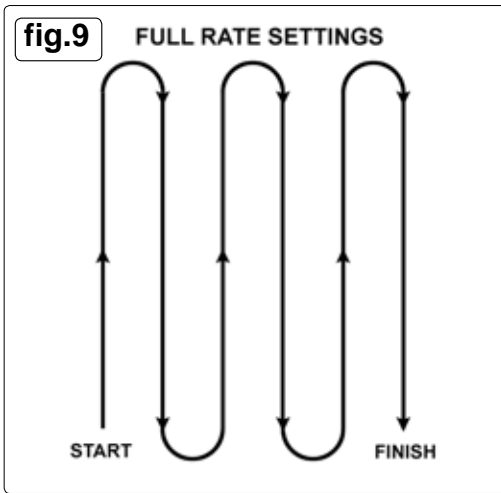


5. OPERATION

- 5.1. The spreader is designed to be pushed at three miles an hour, which is a brisk walking pace. Slower or faster speeds will change the spread pattern. Wet fertiliser will also change the the level of coverage you require.
- 5.2. Clean the spreader thoroughly after each use paying particular attention to the shut off plate and the bottom of the hopper.

6. MAINTENANCE

- 6.1. After each use clean material out of hopper.
 - 6.1.1. Rinse/dry inside and outside of spreader after each use.
- 6.2. Periodically check all fastenings are tight.
- 6.3. Annually clean and lightly lubricate parts.
- 6.4. Touch up all scratched or worn painted metal surfaces.
- 6.5. To avoid damaging the spreader never exceed the rated load capacity of 27kg.
- 6.6. **STORAGE.**
 - 6.6.1. Before storing ensure that the spreader is clean and dry.
 - 6.6.2. Store indoors or in a protected area during severe weather and in the winter months.
 - 6.6.3. Never allow material to stay in the hopper for extended periods of time.



ENVIRONMENT PROTECTION

Recycle unwanted materials instead of disposing of them as waste. All tools, accessories and packaging should be sorted, taken to a recycling centre and disposed of in a manner which is compatible with the environment. When the product becomes completely unserviceable and requires disposal, drain any fluids (if applicable) into approved containers and dispose of the product and fluids according to local regulations.

Note: It is our policy to continually improve products and as such we reserve the right to alter data, specifications and component parts without prior notice.

Important: No Liability is accepted for incorrect use of this product.

Warranty: Guarantee is 12 months from purchase date, proof of which is required for any claim.

Sealey Group, Kempson Way, Suffolk Business Park, Bury St Edmunds, Suffolk. IP32 7AR



01284 757500



01284 703534



sales@sealey.co.uk



www.sealey.co.uk