



80KG TOW BEHIND BROADCAST SPREADER

MODEL NO: **SPB80T.V2**

Thank you for purchasing a Sealey product. Manufactured to a high standard, this product will, if used according to these instructions, and properly maintained, give you years of trouble free performance.

IMPORTANT: PLEASE READ THESE INSTRUCTIONS CAREFULLY. NOTE THE SAFE OPERATIONAL REQUIREMENTS, WARNINGS & CAUTIONS. USE THE PRODUCT CORRECTLY AND WITH CARE FOR THE PURPOSE FOR WHICH IT IS INTENDED. FAILURE TO DO SO MAY CAUSE DAMAGE AND/OR PERSONAL INJURY AND WILL INVALIDATE THE WARRANTY. KEEP THESE INSTRUCTIONS SAFE FOR FUTURE USE.



Refer to instruction manual

1. SAFETY

- ✓ Ensure that the spreader is in sound condition and good working order before use.
- ✓ Ensure that the operator is fully trained and competent to operate the prime mover before attaching and using the spreader.
- ✓ Ensure that all chemical safety instructions are adhered to when handling products for use in the spreader. A full range of personal safety equipment is available from your Sealey stockist.
- ✓ Always distribute the load evenly.
- ✓ Ensure all non essential personnel keep a safe distance when the spreader is in use.
- ✓ Replace or repair damaged parts. Use only recommended parts. Unauthorised parts may be dangerous and will invalidate the warranty.
- ✓ Keep hands and feet away from moving parts.
- ✗ **DO NOT** overload the spreader - see Specification.
- ✗ **DO NOT** leave unattended, especially when loaded, unless the wheels are chocked or the spreader is otherwise secured.
- ✗ **DO NOT** allow anyone to ride on the spreader.
- ✗ **DO NOT** allow untrained personnel to use the spreader. **DO NOT** allow children to use the spreader.
- ✗ **DO NOT** use the spreader for purposes other than for which it is designed.
- ✗ **DO NOT** operate the spreader when you are tired or under the influence of alcohol, drugs or intoxicating medicines.
- ✓ When loaded, **DO NOT** operate the spreader over edges, rough surfaces etc. where the spreader is at risk of overturning.
- ☐ **WARNING!** Failure to comply with these instructions may result in damage to spreader or other property and/or personal injury.

2. INTRODUCTION

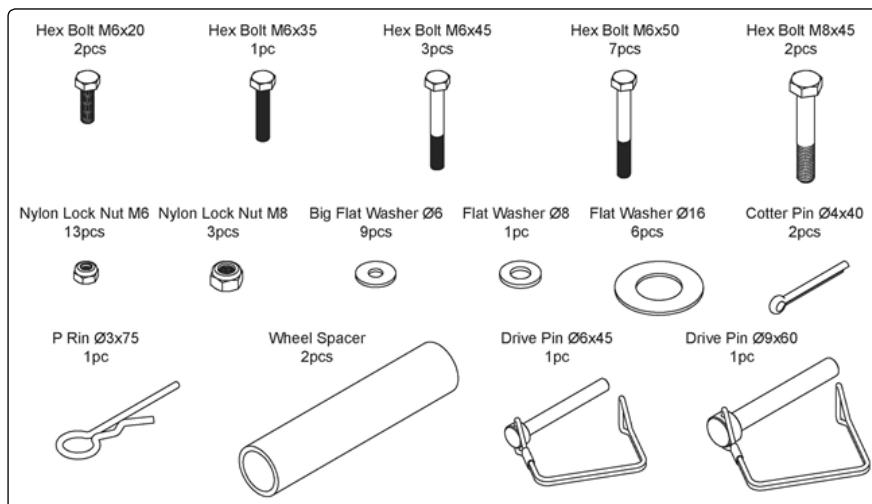
Manufactured with a strong tubular steel frame and polypropylene dispensing hopper. Pin hitch design attaches to ride-on lawnmowers, can be converted to ball hitch using Model No. TB36*. Fitted with aluminium gear, rain cover, pneumatic tyres and adjustable feed system. Includes hopper screen to ease spreader flow and filter out unwanted contaminants. Sprays in 360° motion to cover a large area. Suitable for a variety of horticultural agents including grit, seed, salt, fertilizer and weed killer.

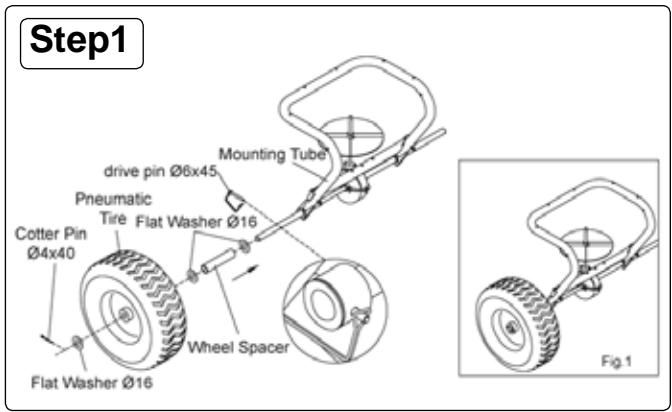
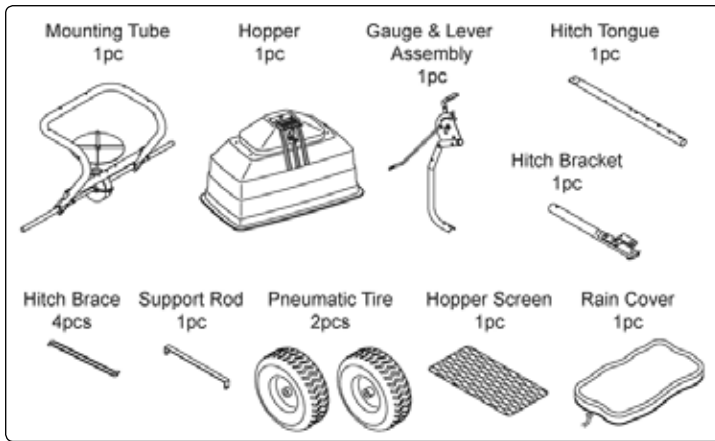
* Some modification may be required

3. SPECIFICATION

Model no SPB80T.V2
 Capacity (volume) 88L
 Dimensions (W x D x H)..... 880 x 1350 x 965mm
 Spread 3-3.6m

4. CONTENTS





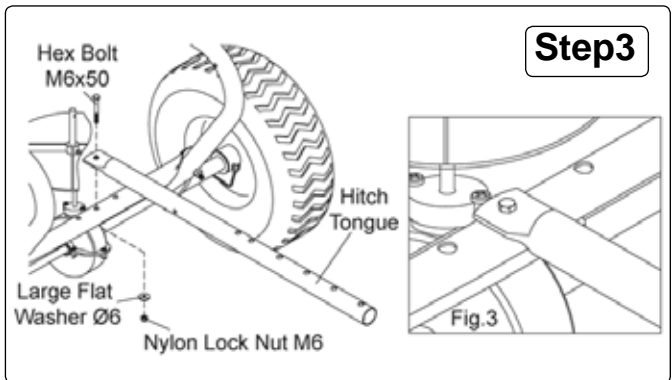
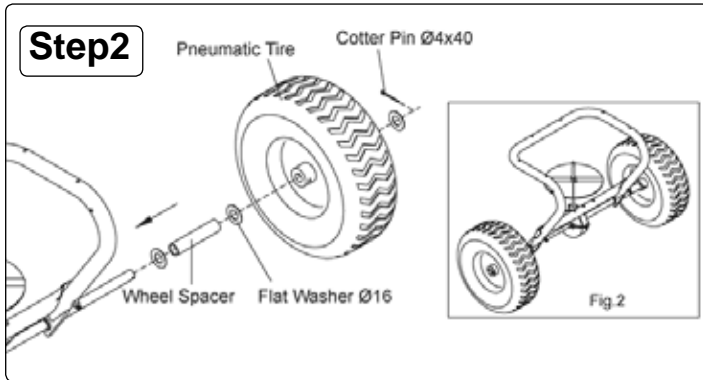
5. ASSEMBLY

STEP 1: In the following order put flat washer Ø16, wheel spacer, second flat washer Ø16, tyre, third flat washer Ø16 on the end of wheel axle. Insert the cotter pin Ø4x40 into the small hole on the axle and bend to secure. Rotate the wheel so that the hole on the inside of the wheel is aligned with the hole on the axle, then Insert drive pin Ø6x45 and lock it.

STEP 2: In the following order put flat washer Ø16, wheel spacer, second flat washer Ø16, Tire, third flat washer Ø16 on the end of wheel axle. Insert the cotter pin Ø4x40 into the small hole on the axle and bend to secure.

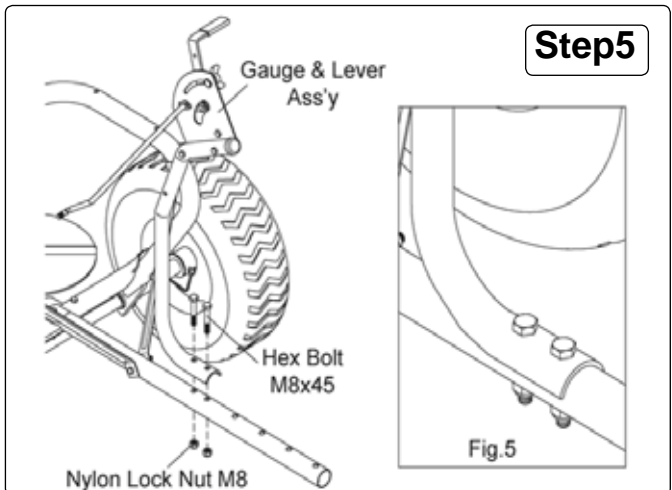
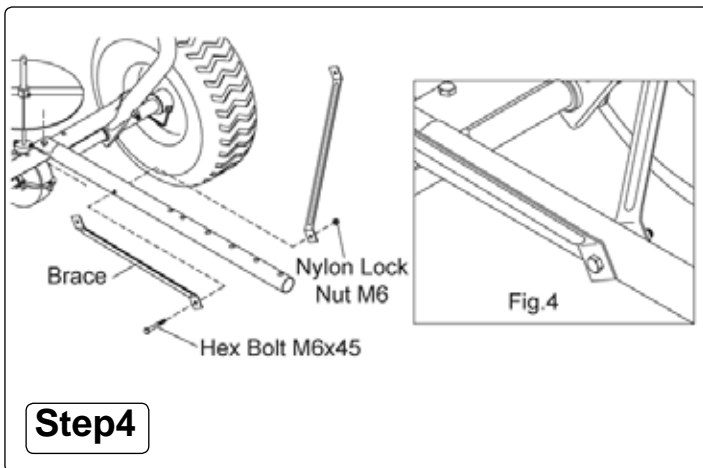
STEP 3: Insert the hex bolt M6x50 after aligning the hole on the flat end of hitch tongue (place on top) with the one at the middle of crossover tube.

Connect using a big flat washer Ø6 and nylon lock nut M6. Tighten fasteners securely.

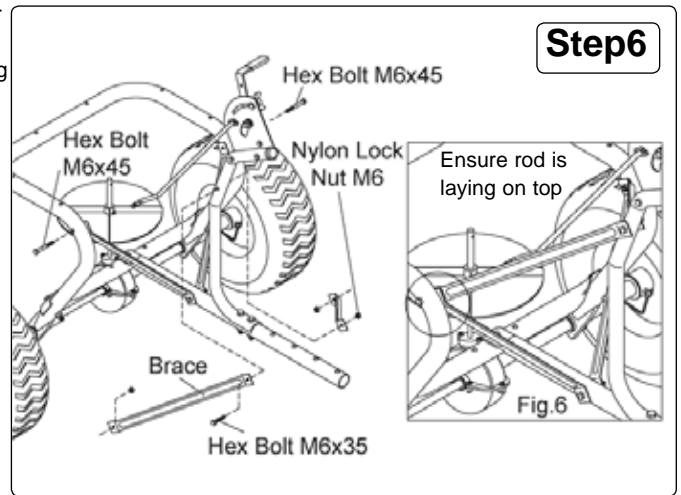


STEP 4: Attach the braces on each side of hitch tongue using bolt M6x45 and nylon lock nut M6. Loosely tighten.

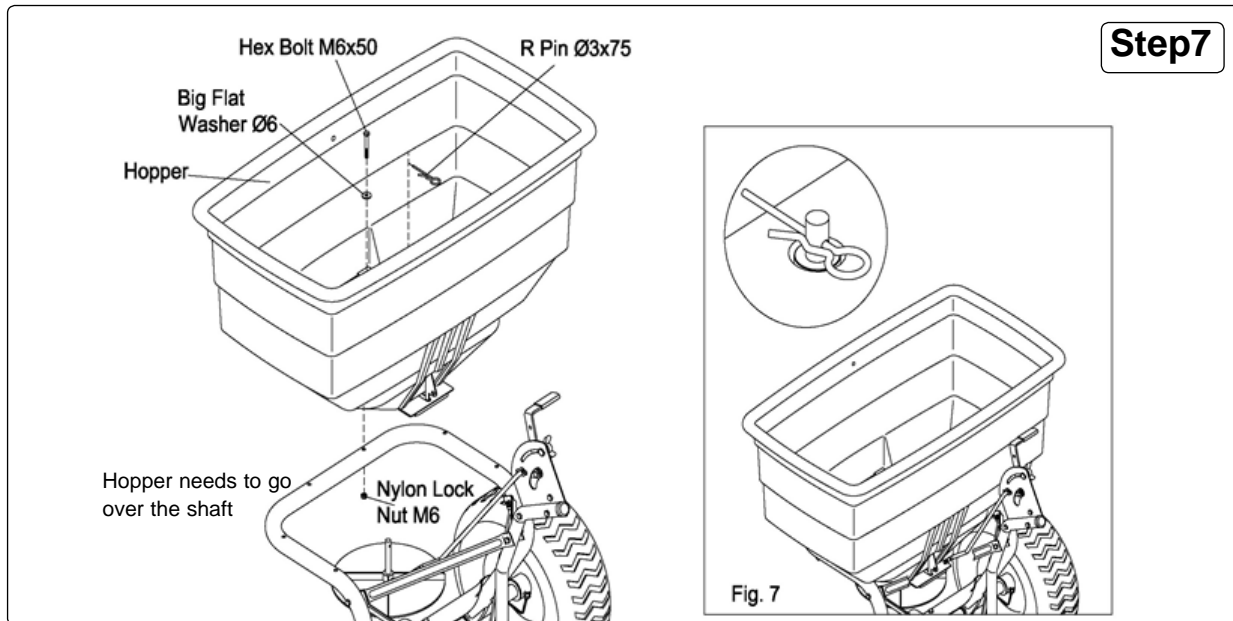
STEP 5: Attach the gauge and lever assembly to the middle of the hitch tongue using two hex bolts M8x45 and nylon lock nuts.



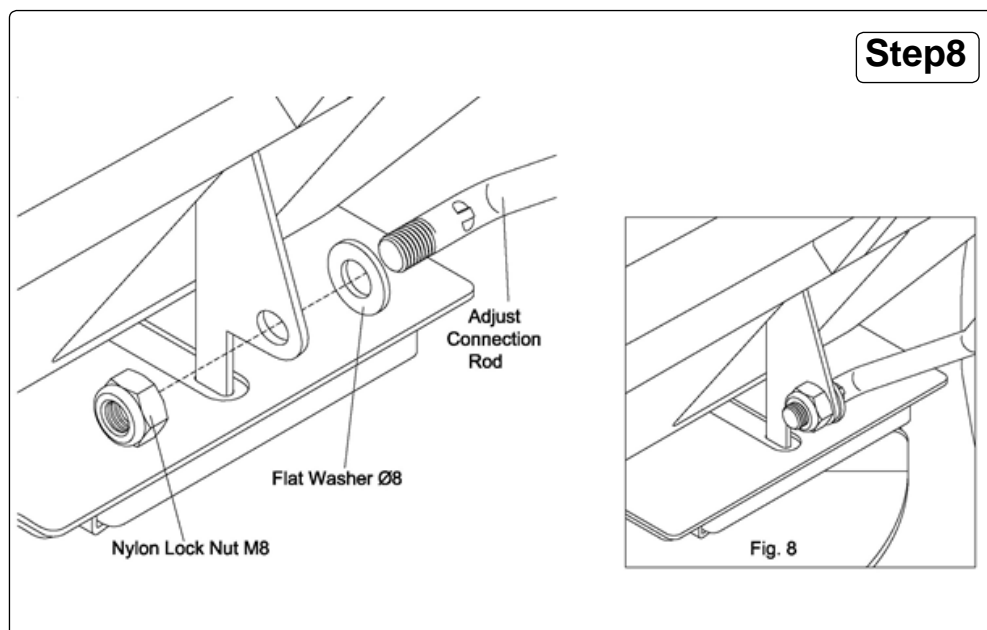
STEP 6: Attach the two upper braces on each sides of the gauge and lever assembly using hex bolt M6x45 and nylon lock nut M6. Loosely tighten. Connect the other four ends of the braces to the upper mounting tube using bolt M6x45 and nylon lock nut M6. Tighten all fasteners.



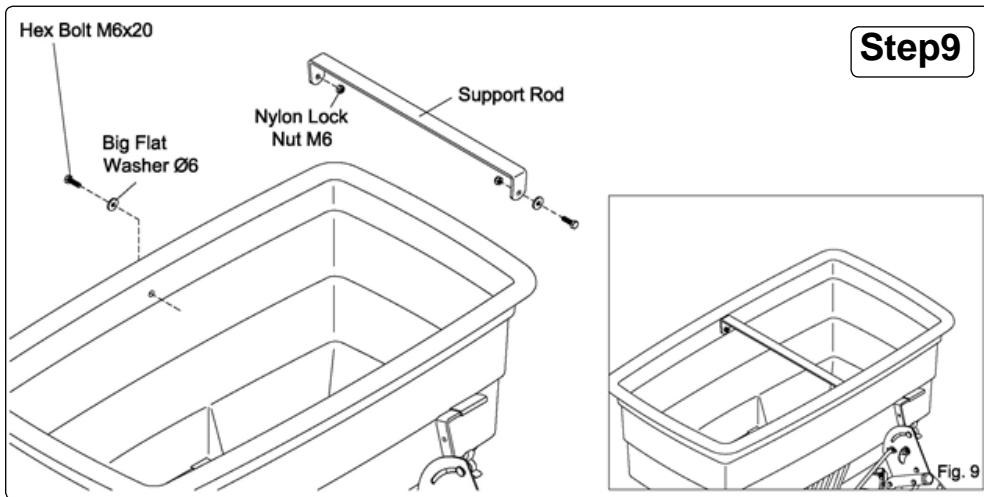
STEP 7: 1. Align all the six holes around inside of hopper and frame and attach using bolts M6x50, big flat washer Ø6 on the top and secure with nylon lock nuts M6 on the bottom. Adjust parts so the impeller moves freely and tighten the hardware holding the hopper. 2. Insert the R pin Ø3x75 into the hole on the swivel axle.



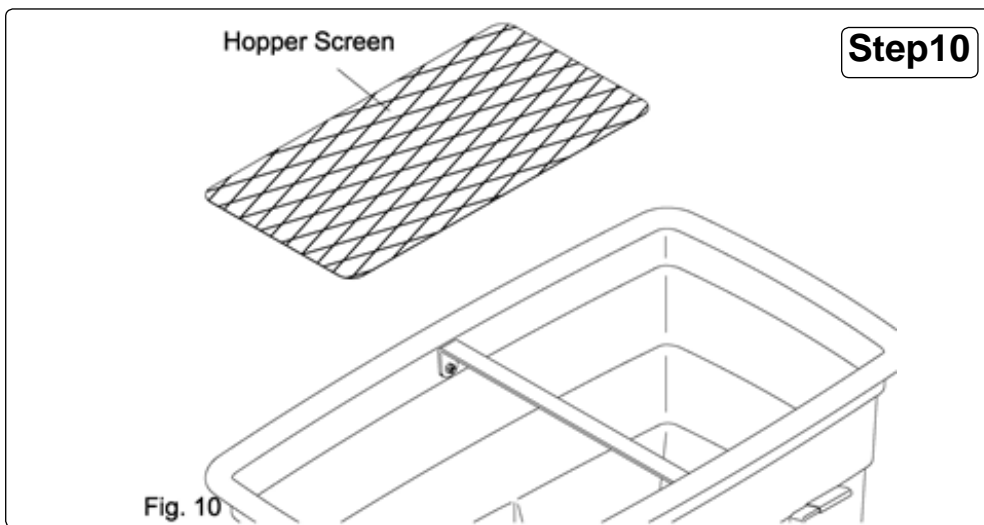
STEP 8: Install one flat washer Ø8 on the end of the connection rod and insert into the hole on the rod base and secure using a nylon lock nut M8.



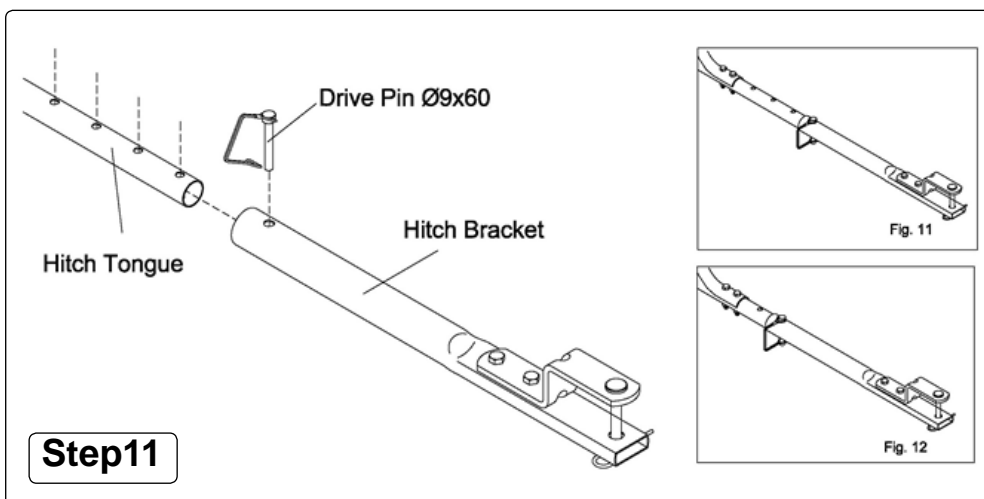
STEP 9: Attach the support rods to the hopper using the hex bolts M6x20, big flat washers Ø6 and nylon lock nuts M6. Adjust sliding plate to closed position.



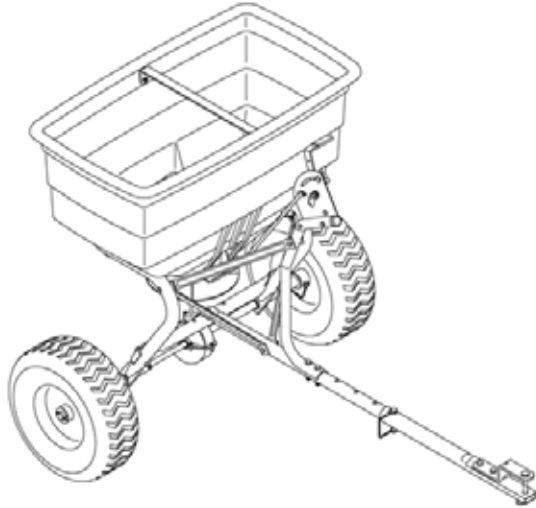
STEP 10: Insert the hopper screen into the bottom of the hopper.



STEP 11: Connect hitch bracket to hitch tongue using drive pin Ø9x60. Hitch tongue is length adjustable, refer to fig.12.



Step12



6. OPERATION

- 6.1. Always pull away in a low gear and gradually increase speed as conditions permit. **DO NOT** exceed 5mph.
- 6.2. Adjust the gauge and lever assembly to the proper position when spreading and adjust to the lowest position to stop spreading.
- 6.3. Always inspect the condition of the spreader before use. **DO NOT** use if damaged.
- 6.4. Ensure the spreader is securely attached to the hitch of the tractor before use. **NEVER** add material into the hopper unless it is attached securely.

7. MAINTENANCE

- 7.1. After each use clean material out of hopper.
- 7.2. Rinse/dry inside and outside of the spreader after each use.
- 7.3. Before operating make sure the tyres have the **RECOMMENDED PRESSURE: 20psi**.
- 7.4. Periodically check all fasteners for tightness.
- 7.5. Annually clean and lightly lubricate parts.
- 7.6. Use a glossy enamel spray paint to touch up scratched or worn painted metal surfaces.
- 7.7. Never exceed load capacity rating of 175lbs it will damage the spreader.

8. STORAGE

- 8.1. Never allow material to remain in the hopper for extended periods of time.
- 8.2. Ensure the spreader is clean and dry before storage.
- 8.3. Store indoors or in a protected area during severe weather and through winter months.



ENVIRONMENT PROTECTION

Recycle unwanted materials instead of disposing of them as waste. All tools, accessories and packaging should be sorted, taken to a recycling centre and disposed of in a manner which is compatible with the environment. When the product becomes completely unserviceable and requires disposal, drain any fluids (if applicable) into approved containers and dispose of the product and fluids according to local regulations.

Note: It is our policy to continually improve products and as such we reserve the right to alter data, specifications and component parts without prior notice.

Important: No Liability is accepted for incorrect use of this product.

Warranty: Guarantee is 12 months from purchase date, proof of which is required for any claim.

Sealey Group, Kempson Way, Suffolk Business Park, Bury St Edmunds, Suffolk. IP32 7AR



01284 757500



01284 703534



sales@sealey.co.uk



www.sealey.co.uk