



# SPOT SPRAYER

MODEL NO: **SS37**

Thank you for purchasing a Sealey product. Manufactured to a high standard, this product will, if used according to these instructions, and properly maintained, give you years of trouble free performance.

**IMPORTANT:** PLEASE READ THESE INSTRUCTIONS CAREFULLY. NOTE THE SAFE OPERATIONAL REQUIREMENTS, WARNINGS & CAUTIONS. USE THE PRODUCT CORRECTLY AND WITH CARE FOR THE PURPOSE FOR WHICH IT IS INTENDED. FAILURE TO DO SO MAY CAUSE DAMAGE AND/OR PERSONAL INJURY AND WILL INVALIDATE THE WARRANTY. KEEP THESE INSTRUCTIONS SAFE FOR FUTURE USE.



Refer to instructions



Wear eye protection



Wear protective gloves



Wear a mask



Wear protective clothing

## 1. SAFETY

### 1.1. GENERAL SAFETY

- ✓ Only use the sprayer for its intended purpose.
- ✓ Familiarise yourself with the applications, limitations, and potential hazards of this product.
- ✓ Use original Sealey spare parts only. Unauthorised parts may be dangerous and will invalidate the warranty.
- ✓ Ensure containers cannot easily be knocked over during filling.
- ✓ Always ensure good contact on the 12V battery.
- ✓ Mark fluid containers with hazard labels to show their contents.
- ✓ Keep any fluid containers in a well ventilated, lockable store, preferably outside the working area.
- ✓ Keep children and unauthorised persons away from the working area, especially when the sprayer is in operation.
- ✓ Keep the work area childproof by using padlocks and master switches.
- ✓ Maintain the sprayer in top condition. Keep it clean for best and safest performance.
- ✓ Follow the same precautions when transferring fluid from the sprayer back into other containers.
- ✓ Ensure the sprayer is securely fixed to the ATV.
- ✓ Always inspect and prepare the sprayer before use according to the directions provided in this manual.
- ✓ Keep the sprayer turned off. **DO NOT** turn on power to the sprayer until ready to spray in order to avoid unintentional spray release.
- ✗ **DO NOT** spray when wind speed exceeds 4mph in order to minimize spray drift.
- ✗ **DO NOT** over apply pesticide. Apply at a rate recommended by agents manufacturer. Excess pesticide can be dangerous to humans, damage desirable plants, and contaminate soil and water sources.
- ✗ **DO NOT** point the spray gun at people or animals.
- ✗ **DO NOT** eat, drink, rub your eyes, or touch any part of your bare skin while handling agents and spraying.
- ✗ **DO NOT** spray near open flames or sources of heat.
- ✓ Always clean up spills immediately per instructions on the agent's label.
- ✓ Turn off vehicle and set brake or block wheels, turn off power to sprayer and relieve system pressure before leaving sprayer unattended.
- ✗ **DO NOT** use an open flame or smoke anywhere near the sprayer or around stored fluid.
- ✗ **DO NOT** spray fluid into dedicated workshop oil spray equipment.
- ✗ **DO NOT** use any electrical equipment on or near the vehicle while fluid spraying is in progress. This includes the use of inspection lights, mobile phones or pagers.
- ✗ **DO NOT** use the sprayer if the pump is damaged in any way.
- ✗ **DO NOT** use whilst under the influence of drugs, alcohol or other intoxicating medication, or if you are fatigued.

### 1.2. ELECTRICAL CONNECTION SAFETY

- ✓ If the battery terminals are corroded or dirty, clean them before using the Sprayer.
- ✓ Disconnect the power after every use to avoid accidental starting.
- ✗ **DO NOT** disassemble the remote switch for any reason. The sprayer must only be checked by qualified service personnel.
- ☐ **WARNING!** To prevent the risk of sparking, short circuit and possible explosion **DO NOT** drop metal tools in the battery area, or allow them to touch the battery terminals.
- ✗ **DO NOT** cross-connect remote switch clamps.
- ✓ Ensure positive (RED) clamp is to positive terminal and negative (BLACK) clamp is to negative terminal.

### 1.3. CHEMICAL SAFETY

- ✓ Ensure you read the safety data sheet of the substance you are going to spray.
- ✓ The sprayer is intended for use in spraying agricultural pesticides and other non-flammable liquids.
- ✓ Spraying pesticides - Pesticides are hazardous agents that must be handled with caution as directed throughout this manual and on the pesticide label. The sprayer is intended for use in spraying pesticides in liquid form only. The sprayer is **NOT** intended for use in spraying pesticides in dry or aerosolized form, or for use with fumigants.
- ✓ Spraying Other Liquids - In addition to spraying pesticides, this sprayer may be used to spray other non-flammable liquids. Example uses include: watering plants/trees or spraying water for dust control, applying ice control agents, applying water-based, non-flammable sealant or stain to outdoor wood surfaces.
- ✓ **WE RECOMMEND THAT THE SPRAYER NOT BE USED FOR OTHER PURPOSES ONCE IT HAS ALREADY BEEN USED FOR SPRAYING PESTICIDES.** Any agents will leave some residual in the tank liner or sprayer components, even after the sprayer has been properly cleaned. These residual agents can have unexpected effects on future uses. For example, spraying water or other liquids that are contaminated with residual pesticide may result in unforeseen hazards to plant or animal life.

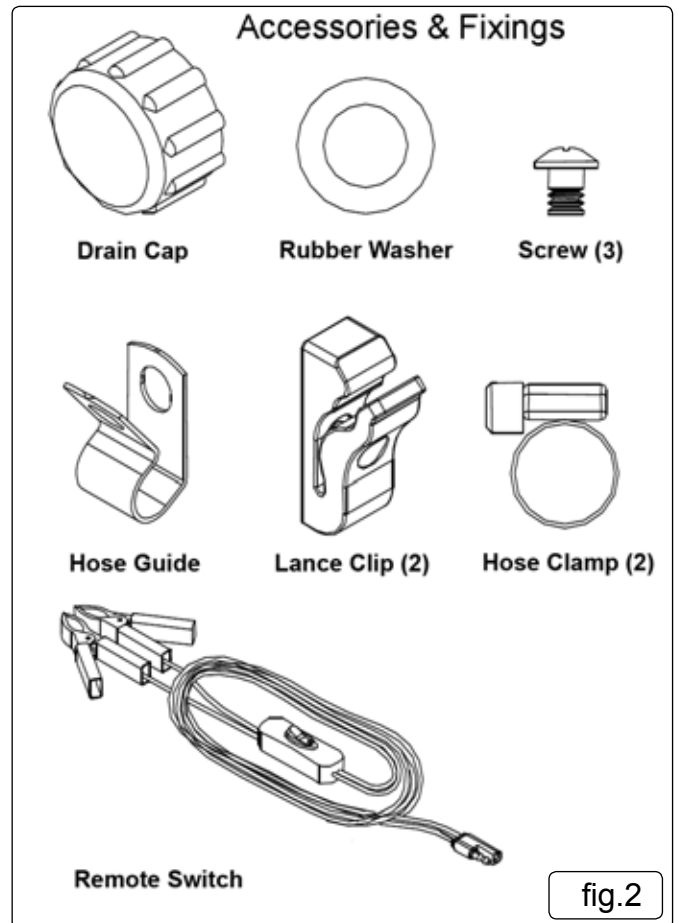
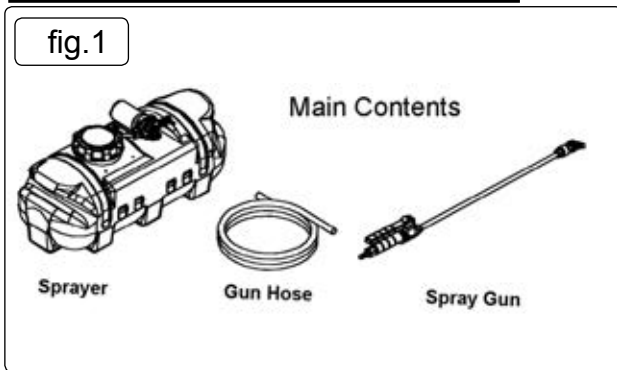
## 2. INTRODUCTION

Spot sprayer suitable for attaching to most all terrain vehicles. Powered by 12V battery or connected via 12V supply on vehicle. Quiet running diaphragm pump is pressure activated producing a smooth flow from the tank. Supplied with trigger operated lance providing controlled application. Features remote operated on/off switch and battery clips. Tank is manufactured using chemical resistant material and is fitted with tank drainage spout for draining unwanted contents. Tank also features extra-thick walls and is UV-stabilized to prevent fading. Suitable for use with a variety of different agents including weed killer, de-icer and for spraying fertiliser. Unit can be used as broadcast sprayer using Model No. SSA2 (not supplied).

## 3. SPECIFICATION

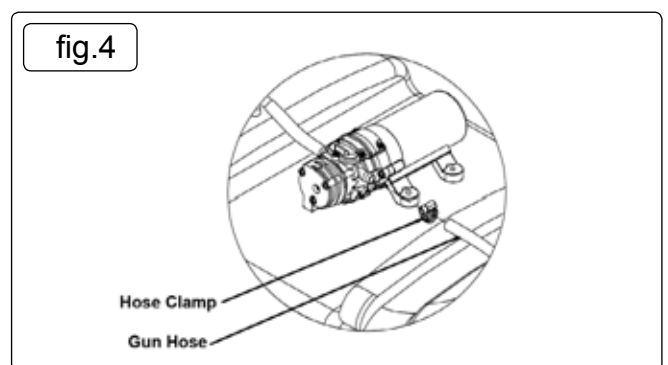
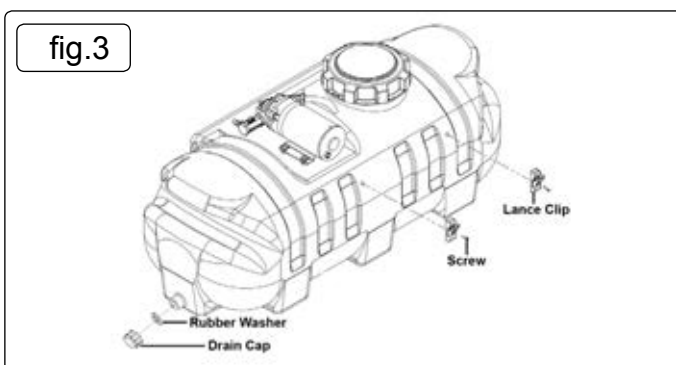
Model No.....	SS37
Tank Capacity .....	37ltr
Maximum Flow Rate .....	3.8ltr/min
Maximum Pressure .....	40psi
Maximum Spray Reach.....	4.3mtr
Hose Length.....	4.5mtr
Dimensions(W x D x H).....	711 x 305 279mm
Weight.....	4.1kg

## 4. CONTENTS

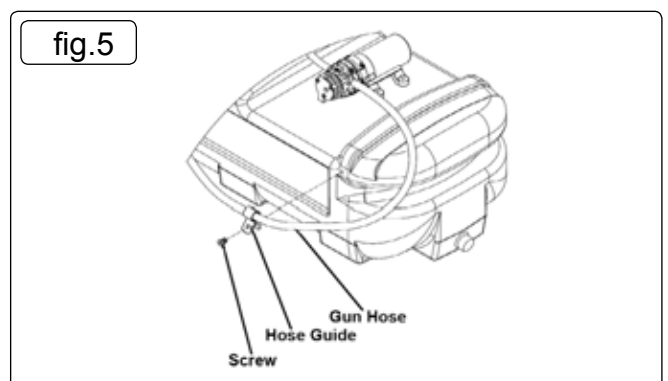


## 5. ASSEMBLY

- 5.1. Fasten the two lance clips to the sprayer tank with the two screws supplied. See fig.3.
- 5.2. Press the rubber washer onto the drain pipe, screw on the drain cap. See fig.3.



- 5.3. Attach Hose to Pump (see fig.4)
  - 5.3.1. Slide the hose clamp over the hose.
  - 5.3.2. Push the hose onto the pump.
  - 5.3.3. Slide the hose clamp over the pump connector and tighten.
- 5.4. Attach Hose Guide to Tank (see fig.5)
  - 5.4.1. Thread the hose through the hose guide.
  - 5.4.2. Attach the guide to the side of the tank using the flange bolt.



- 5.5. Attach Hose to Spray Gun (see fig.6)
- 5.5.1. Slide the hose clamp over the hose.
- 5.5.2. Push the hose onto the hose barb on the spray gun.
- 5.5.3. Slide the hose clamp around the hose barb and tighten.
- 5.6. Attach the Sprayer to the Vehicle (see fig.7)
- 5.6.1. Use hooked straps (not supplied) to secure each end to an ATV rack (not supplied). Sealey Flat Bungee Cord Set, Part No: BCS15 is ideal for the job. For maximum security, order two sets.
- 5.7. Connect the Remote Switch to Battery
- 5.7.1. Disconnect the vehicle's earth cable from the negative battery terminal.
- 5.7.2. Connect the red positive clamp to the positive (+) terminal on the battery.
- 5.7.3. Connect the black negative clamp to the negative (-) terminal on the battery.
- 5.7.4. Reconnect the vehicle earth cable.
- 5.8. Connect the Remote Switch to the Pump
- 5.8.1. Ensure the remote switch is in the OFF position (O).
- 5.8.2. Connect the remote switch to the power cable leading from the rear of the pump.
- NOTE:** The power cables will only connect one way.
- 5.9. **Testing**
- 5.9.1. Check that the gun clip screws are tight, hose clamps are secure, and tank straps are properly fastened.
- 5.9.2. While it is unlikely that factory-assembled components will become loose, they should also be checked to make sure that they are tight.
- 5.9.3. Fill the tank with water and test the system for leaks.
- 5.9.4. Connect the remote switch to the pump power cord and turn the remote switch ON. The pump is an "on demand" pump. When turned on, the pump will prime itself, then turn off. When the gun trigger is squeezed, the pump will automatically start.
- 5.9.5. Operate the spray gun by squeezing the gun trigger.
- 5.9.6. Check for leaks throughout the system. If a leak is detected, fix the leak and re-test the system with water until no leaks are detected.

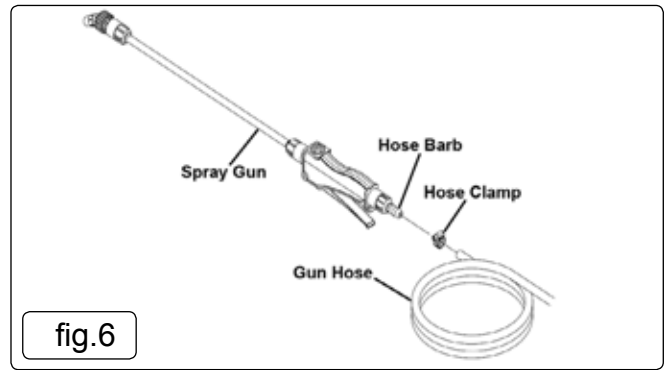


fig.6

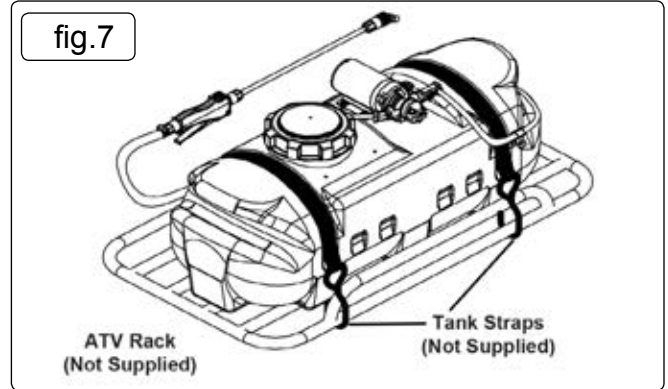


fig.7

## 6. PREPARATION

- 6.1. **Preparation**
- 6.1.1. Ensure the sprayer is securely attached to the vehicle.
- 6.1.2. Ensure the sprayer has been thoroughly flushed and drained of all residual agents from prior uses.
- 6.1.3. Clean the suction strainer of any agents residue. It is important to clean the suction strainer before each use to ensure it is not clogged and to prevent residual agents from contaminating sprayer contents.
- 6.2. **Environment Considerations**
- 6.2.1. The sprayer should not be used when wind is in excess of 4mph.
- 6.2.2. Consideration should be given to members of the public and/ or colleagues when spraying, ensure the area to be sprayed is well ventilated and cordoned off.
- 6.3. **Filling the sprayer**
- 6.3.1. Choose an outdoor, well-ventilated area away from unprotected people, animals, food, and other items that might become contaminated.
- 6.3.2. Wear personal protective equipment.
- 6.3.3. Turn off power to the sprayer before filling. The vehicle should also be off, with wheels chocked to prevent unintended movement.
- 6.3.4. Remove the fill cap located on top of the sprayer. (fig.8).
- 6.3.5. Before filling ensure drain cap is securely tightened.
- 6.3.6. Mix agents as instructed on that particular product. **DO NOT** mix more than needed, to reduce wastage and the need to store excess agents.
- 6.3.7. Pour agent through the filler cap. When done replace filler cap and tighten.

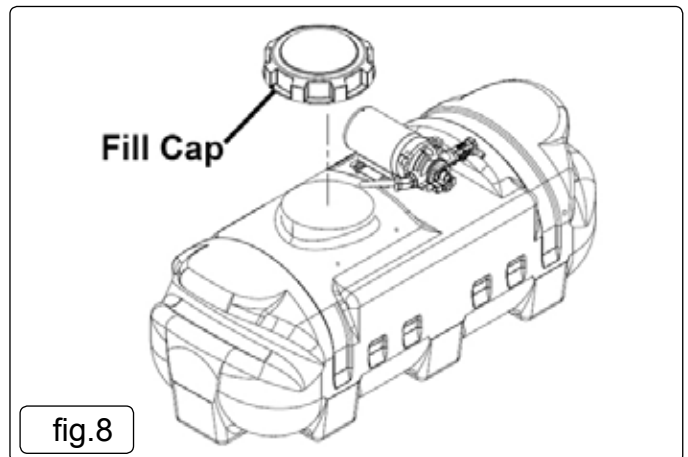


fig.8

## 7. OPERATION

- 7.1. **Personal Protective Equipment**
- 7.1.1. Ensure personal protective equipment is used. i.e gloves, goggles, coverall and breathing mask.
- 7.2. **Turn On Power**
- 7.2.1. Turn the remote switch to the ON (I) position.
- 7.3. **Spray Gun (see fig.9)**
- 7.3.1. Remove gun from lance clips. To spray, squeeze the gun trigger.
- 7.3.2. Twist the spray nozzle to change from a straight stream to a cone spray pattern. Check with the agent manufacturers label which is best to use.
- NOTE:** Ensure that the trigger is not squeezed when adjusting the spray pattern.
- 7.4. **Leaving Unattended**

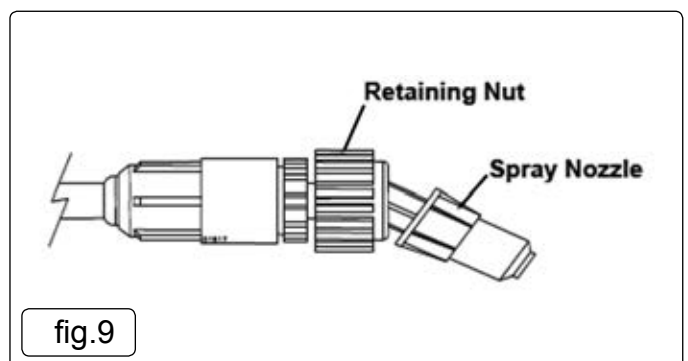


fig.9

7.5.1 If the sprayer must be left unattended; A) Disconnect the power. B) Relieve the system pressure by pressing the gun trigger. C) Turn off the vehicle and chock the wheels.

**7.5. Sprayer Become Inoperable**

7.5.1. If the sprayer becomes clogged or stops working do not attempt to repair whilst agents are still in the sprayer tank.

7.6.2 Review the troubleshooting table to proceed.

**8. AFTER USE**

**8.1. Drain Tank**

8.1.1. Disconnect the power supply and relieve the system pressure by squeezing the spray gun trigger.

8.1.2. Use a suitable container to drain excess agents into, place it beneath the drain hole.

8.1.3. Remove the drain cap to drain into container. Ensure all personal protective equipment is used.

8.1.4. When the tank is fully drained replace drain cap and tighten.

**8.2. Unused Chemicals**

8.2.1. If unused agents are to be kept for future use store in the original container or a similarly suitable one. Also ensure such container is suitably labelled.

8.2.2. When remaining agents need to be disposed of, refer to the manufactures label and local authority guidelines.

**8.3. Flush Sprayer**

8.3.1. Refer to agents manufacturer for flushing procedure and recommendation on a cleaning solution.

**8.4. Decontaminate**

8.4.1. After handling chemicals and other agents, remove all clothing and wash separate to other clothing.

8.4.2. Wash all exposed skin thoroughly with soap and water.

**9. STORAGE**

**9.1. Preparing for Storage**

9.1.1. Add an antifreeze (not automotive) into the tank.

9.1.2. Turn on the pump and squeeze the gun trigger until the antifreeze sprays briefly. Store the gun in the lance clips and disconnect the power.

**9.2. Removing from Storage**

9.2.1. Drain the antifreeze into a suitable container.

9.2.2. Fill the sprayer tank with fresh clean water, connect the power, use the spray gun and flush the system. Be sure to have a container to collect the flushed antifreeze.

9.2.3. Dispose of antifreeze along with local authority guidelines.

**10. TROUBLESHOOTING**

SYMPTONS	REASONS	REMEDY
Pump will not start	Poor electrical connection	Ensure good conditions
	Short in wires	Check condition of wires
	Low voltage	Check the battery voltage
Low Pressure	Worn spray gun nozzle	Replace spray gun nozzle
	Worn boom nozzle	Replace boom nozzle
Low Flow	Clogged intake tube	Remove construction to intake tube
	Clogged suction stainer	Clean suction strainer
	Low voltage	Check the battery voltage
Poor spray distribution	Clogged intake tube	Remove obstruction to intake tube
	Clogged suction stainer	Clean suction strainer
	Worm spray gun nozzle	Replace spray gun nozzle
Pump operates while not spraying	Leak in the system	Find leak and tighten hose clamps or fittings. Replace spray gun



**ENVIRONMENT PROTECTION**

Recycle unwanted materials instead of disposing of them as waste. All tools, accessories and packaging should be sorted, taken to a recycling centre and disposed of in a manner which is compatible with the environment. When the product becomes completely unserviceable and requires disposal, drain any fluids (if applicable) into approved containers and dispose of the product and fluids according to local regulations.



**WEEE REGULATIONS**

Dispose of this product at the end of its working life in compliance with the EU Directive on Waste Electrical and Electronic Equipment (WEEE). When the product is no longer required, it must be disposed of in an environmentally protective way. Contact your local solid waste authority for recycling information.

**Note:** It is our policy to continually improve products and as such we reserve the right to alter data, specifications and component parts without prior notice.

**Important:** No Liability is accepted for incorrect use of this product.

**Warranty:** Guarantee is 12 months from purchase date, proof of which is required for any claim.

Sealey Group, Kempson Way, Suffolk Business Park, Bury St Edmunds, Suffolk. IP32 7AR



01284 757500



01284 703534



sales@sealey.co.uk



www.sealey.co.uk