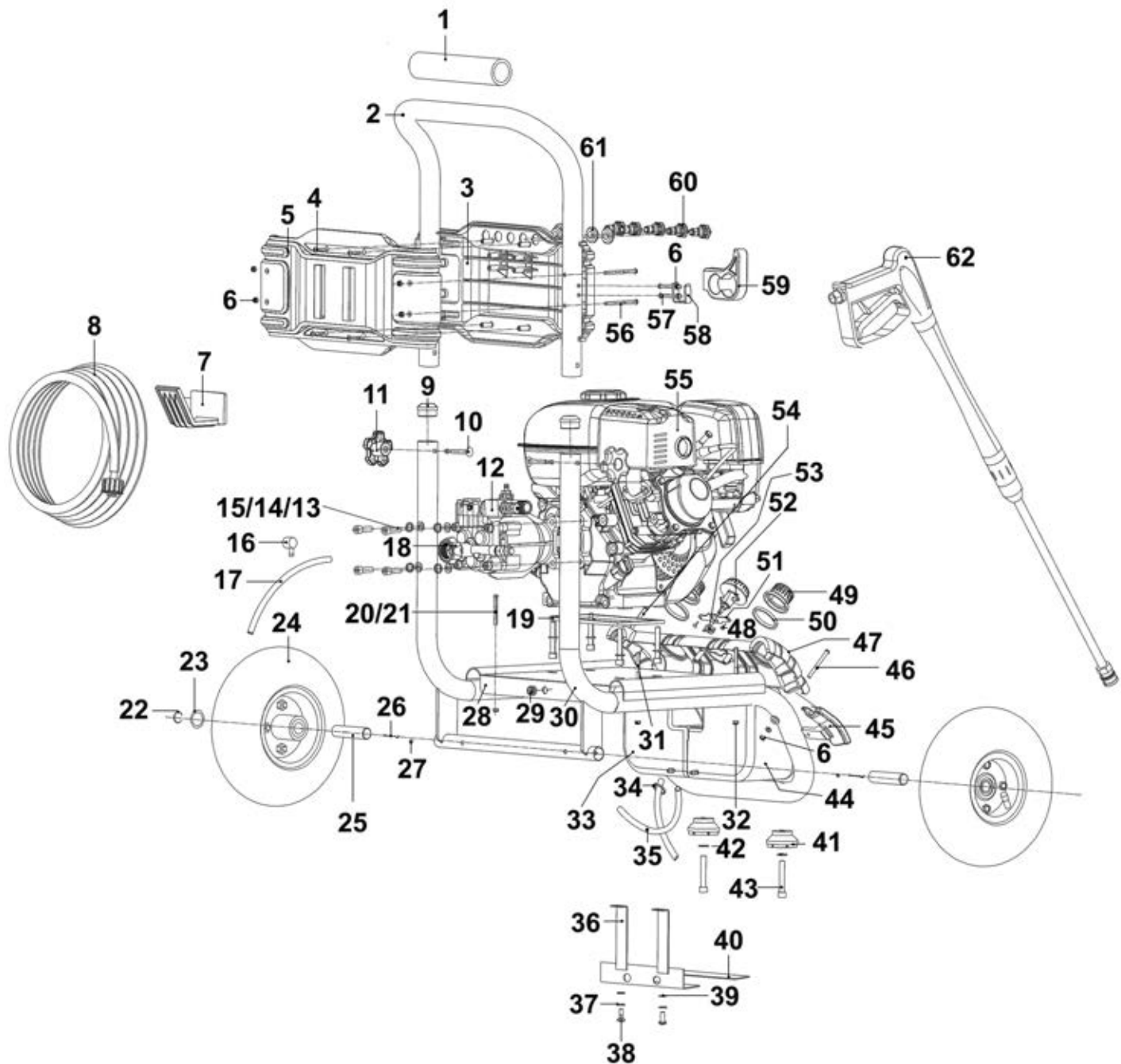




Parts Information:
Pressure Washer 220bar 540L/hr 6.5hp
Petrol
Model No: PWM2500.V2



NOTE: It is our policy to continually improve products and as such we reserve the right to alter data, specifications and component parts without prior notice. There may be alternative versions of this product, please contact us should you require this information.

IMPORTANT: No liability is accepted for incorrect use of product. Spare parts must be fitted by a competent person

WARRANTY: Guarantee is 12 months from purchase date, proof of which will be required for any claim.

Sealey Group, Kempson Way, Suffolk Business Park, Bury St Edmunds, Suffolk. IP32 7AR



01284 757500



01284 703534



sales@sealey.co.uk



www.sealey.co.uk



Parts Information:
Pressure Washer 220bar 540L/hr 6.5hp
Petrol
Model No: PWM2500.V2

Item	Part No.	Description
1	PWM2500.V2-F01	Handle Sleeve
2	PWM2500.V2-F02	Upper Handle
3	PWM2500.V2-F03	Front Panel
4	PWM2500.V2-F04	Self-Tapping Screw ST4x25
5	PWM2500.V2-F05	Back Panel
6	NLN6.S	Nyloc Nut M6 Zinc
7	PWM2500.V2-F07	Hose Hook
8	PWM2500.V2-F08	High Pressure Hose
9	PWM2500.V2-F09	End Cap
10	PWM2500.V2-F10	Locating Pin
11	PWM2500.V2-F11	Knob Assembly
12	PWM2500.V2-F12	Pressure Pump
13	SCB825.SB	Socket Cap Bolt M8 x 25 Black
14	SWM8.SB	Spring Washer M8 Black
15	FWM8.SB	Flat Washer M8 Black
16	PWM2500.V2-F16	Thermal Relief
17	PWM2500.V2-F17	Drain Hose
18	PWM2500.V2-F18	Water Inlet Connector
19	PWM2500.V2-F19	Engine Mount
20	SCB845.SB	Socket Cap Bolt M8 x 45 Black
21	NLN8.S	Nyloc Nut M8 Zinc
22	PWM2500.V2-F22	Ext Circlip 16.0mm ID
23	FWM16.S	Flat Washer M16 Zinc
24	PWM2500.V2-F24	Pneumatic Wheel
25	PWM2500.V2-F25	Wheel Shaft
26	PWM2500.V2-F26	R-Pin
27	PWM2500.V2-F27	Spring Clip
28	PWM2500.V2-F28	Base
29	PWM2500.V2-F29	Wire Sleeve
30	PWM2500.V2-F30	Frame Base
31	MSP640.S	Machine Screw Pan Head M6 x 40mm

Item	Part No.	Description
32	NLN6.S	Nyloc Nut M6 Zinc
33	PWM2500.V2-F33	Detergent Tank (Right Side)
34	PWM2500.V2-F34	Spring Lock
35	PWM2500.V2-F35	Injection Hose (Short)
36	PWM2500.V2-F36	Detergent Tank Holder
37	SWM5.S	Spring Washer M5 Zinc
38	MSP516.S	Machine Screw Pan Head Phillips M5 x 16
39	FWM5.S	Flat Washer M5 Zinc
40	PWM2500.V2-F40	Rubber Pad
41	PWM2500.V2-F41	Rubber Foot
42	PWM2500.V2-F42	Rubber Washer for Foot
43	SCB845.SB	Socket Cap Bolt M8 x 45 Black
44	PWM2500.V2-F44	Detergent Tank (Left Side)
45	PWM2500.V2-F45	Pressure Gun Holster (Lower)
46	MSP550.S	Machine Screw Pan Head Phillips M5 X 50mm
47	PWM2500.V2-F47	Detergent Tank Panel
48	PWM2500.V2-F48	Self-Tapping Screw ST4x14
49	PWM2500.V2-F49	Detergent Bottle Cap
50	PWM2500.V2-F50	Detergent Bottle Gasket
51	PWM2500.V2-F51	Detergent Bottle Dial Plate
52	PWM2500.V2-F52	Detergent Bottle Dial
53	PWM2500.V2-F53	Detergent Bottle Dial Nut
54	PWM2500.V2-F54	Machine Screw Pan Head Phillips M5 x 42
55	PWM2500.V2-F55	Engine
56	PWM2500.V2-F56	Machine Screw Pan Head Phillips M5 x 65
57	MSP540.S	Machine Screw Pan Head Phillips M5x40mm (
58	PWM2500.V2-F58	Gun Holder Connector
59	PWM2500.V2-F59	Pressure Gun Holster (Upper)
60	PWM2500.V2-F60	Nozzle
61	PWM2500.V2-F61	Nozzle Gasket
62	PWM2500.V2-F62	High Pressure Gun

NOTE: It is our policy to continually improve products and as such we reserve the right to alter data, specifications and component parts without prior notice. There may be alternative versions of this product, please contact us should you require this information.

IMPORTANT: No liability is accepted for incorrect use of product. Spare parts must be fitted by a competent person

WARRANTY: Guarantee is 12 months from purchase date, proof of which will be required for any claim.

Sealey Group, Kempson Way, Suffolk Business Park, Bury St Edmunds, Suffolk. IP32 7AR



01284 757500



01284 703534



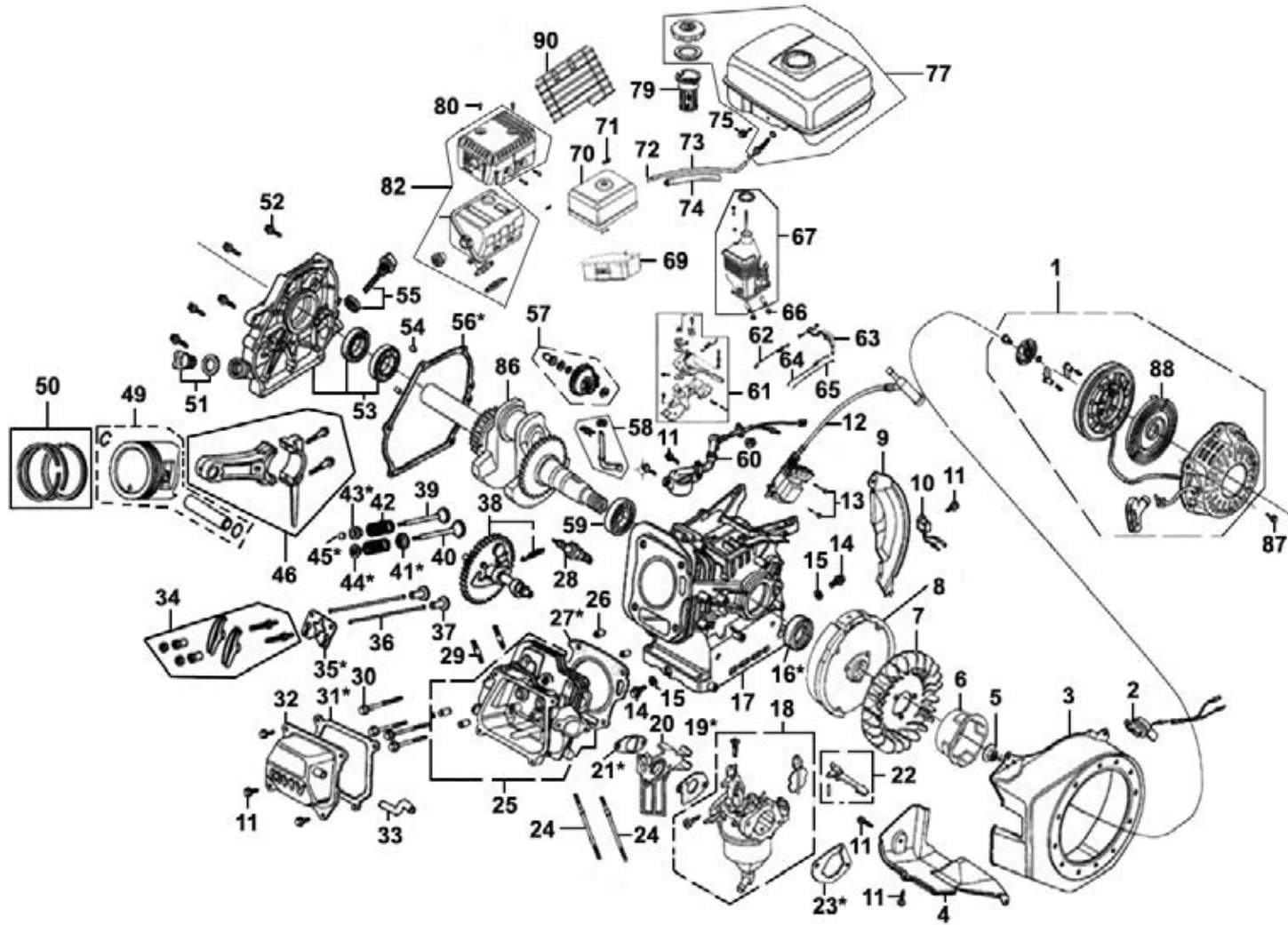
sales@sealey.co.uk



www.sealey.co.uk



Parts Information:
Pressure Washer 220bar 540L/hr 6.5hp Petrol
Model No: PWM2500.V2



NOTE: It is our policy to continually improve products and as such we reserve the right to alter data, specifications and component parts without prior notice.

There may be alternative versions of this product, please contact us should you require this information.

IMPORTANT: No liability is accepted for incorrect use of product. Spare parts must be fitted by a competent person

WARRANTY: Guarantee is 12 months from purchase date, proof of which will be required for any claim.

Sealey Group, Kempson Way, Suffolk Business Park, Bury St Edmunds, Suffolk. IP32 7AR

01284 757500 | 01284 703534 | sales@sealey.co.uk | www.sealey.co.uk



Parts Information:
**Pressure Washer 220bar 540L/hr 6.5hp
 Petrol
 Model No: PWM2500.V2**

Item	Part No.	Description
1	PWM2500.V2-E01	Recoil Assembly Complete
2	PWM2500.V2-E02	Engine Switch
3	PWM2500.V2-E03	Fan Cover
4	PWM2500.V2-E04	Cylinder Cover
5	SN14.S	Steel Nut M14 Zinc
6	PWM2500.V2-E06	Starter Pulley
7	PWM2500.V2-E07	Cooling Fan
8	PWM2500.V2-E08	Flywheel
9	PWM2500.V2-E09	Side Plate
10	PWM2500.V2-E10	Diode
11	PWM2500SP.E11	Flange bolt (M6x12)
12	PWM2500.V2-E12	Ignition Coil Ass'y
13	PWM2500SP.E13	Flange Bolt (M6x25)
14	PWM2500.V2-E14	Oil Drain Plug M10 x 15
15	PWM2500.V2-E15	Oil Drain Plug Washer
16	PWM2500.V2-E16	Oil Seal (24 x 41.25 x 6)
17	PWM2500.V2-E17	Crankcase Ass'y
18	PWM2500.V2-E18	Carburetor Ass'y
19	PWM2500.V2-E19	Carburetor Gasket
20	PWM2500.V2-E20	Carburetor Insulator
21	PWM2500.V2-E21	Insulator Packing
22	PWM2500.V2-E22	Choke Level Complete
23	PWM2500.V2-E23	Air Cleaner Packing
24	PWM2500.V2-E24	Bolt Head M6 x 112
25	PWM2500.V2-E25	Cylinder Head Complete
26	PWM2500.V2-E26	Dowel Pin (10 x 16)
27	PWM2500.V2-E27	Cylinder Head Gasket
28	PWM2500.V2-E28	Spark Plug
29	PWM2500.V2-E29	Double End Bolt M8 x 35
30	PWM2500SP.E30	Flange bolt (m8x55)
31	PWM2500.V2-E31	Cylinder Head Cover Gasket
32	PWM2500.V2-E32	Cylinder Head Cover Complete
33	PWM2500.V2-E33	Breather
34	PWM2500.V2-E34	Valve Rocker Arm Ass'y
35	PWM2500.V2-E35	Pushrod Guide Plate
36	PWM2500.V2-E36	Pushrod
37	PWM2500.V2-E37	Valve Lifter
38	PWM2500.V2-E38	Camshaft Ass'y
39	PWM2500.V2-E39	Exhaust Valve
40	PWM2500.V2-E40	Intake Valve
41	PWM2500.V2-E41	Valve Spring Seat

Item	Part No.	Description
42	PWM2500.V2-E42	Valve Spring
43	PWM2500.V2-E43	Valve Spring Retainer, EX
44	PWM2500.V2-E44	Valve Spring Retainer, IN
45	PWM2500.V2-E45	Valve Rotator
46	PWM2500.V2-E46	Connecting Rod Ass'y
49	PWM2500.V2-E49	Piston
50	PWM2500.V2-E50	Piston Ring Set
51	PWM2500.V2-E51	Oil Cap
52	PWM2500SP.E52	Flange Bolt (M8x32)
53	PWM2500.V2-E53	Oil Seal (24 x 41.25 x 6)
54	PWM2500.V2-E54	Locating Pin (8x14)
55	PWM2500.V2-E55	Oil Filler Cap Ass'y
56	PWM2500.V2-E56	Case Cover Packing
57	PWM2500.V2-E57	Governor Ass'y
58	PWM2500.V2-E58	Governor Shaft Ass'y
59	PWM2500.V2-E59	Radial Bearing (6205)
60	PWM2500.V2-E60	Oil Level Switch Ass'y
61	PWM2500.V2-E61	Control Ass'y
62	PWM2500.V2-E62	Governor Spring
63	PWM2500.V2-E63	Governor Arm
64	PWM2500.V2-E64	Throttle Return Spring
65	PWM2500.V2-E65	Governor Rod
66	FN6.S	Flange Nut Serrated M6 Zinc
67	PWM2500.V2-E67	Air Cleaner Front Case
69	PWM2500.V2-E69	Air Cleaner Case Complete
70	PWM2500.V2-E70	Air Cleaner Cover
71	PWM2500.V2-E71	Wing Nut
72	PWM2500.V2-E72	Oil Tube Clip
73	PWM2500.V2-E73	Oil Tube (4 x 8 x 150)
74	PWM2500.V2-E74	PVC Sleeve
75	PWM2500SP.E75	Screw (M6x28)
77	PWM2500.V2-E77	Fuel Tank Ass'y (c/w Fuel Tank Joint & Cap)
79	PWM2500.V2-E79	Fuel Filter
80	PWM2500.V2-E80	Self-Tapping Screw M4x10
82	PWM2500.V2-E82	Muffler
86	PWM2500.V2-E86	Crankshaft Complete
87	PWM2500.V2-E87	Recoil Cover Bolt M6 x 10
88	PWM2500.V2-E88	Starter Coil Spring
90	PWM2500.V2-E90	Muffler Cover
89	PWM2500.V2-E89	Toolkit (Not Shown)

NOTE: It is our policy to continually improve products and as such we reserve the right to alter data, specifications and component parts without prior notice. There may be alternative versions of this product, please contact us should you require this information.

IMPORTANT: No liability is accepted for incorrect use of product. Spare parts must be fitted by a competent person

WARRANTY: Guarantee is 12 months from purchase date, proof of which will be required for any claim.

Sealey Group, Kempson Way, Suffolk Business Park, Bury St Edmunds, Suffolk. IP32 7AR



01284 757500



01284 703534



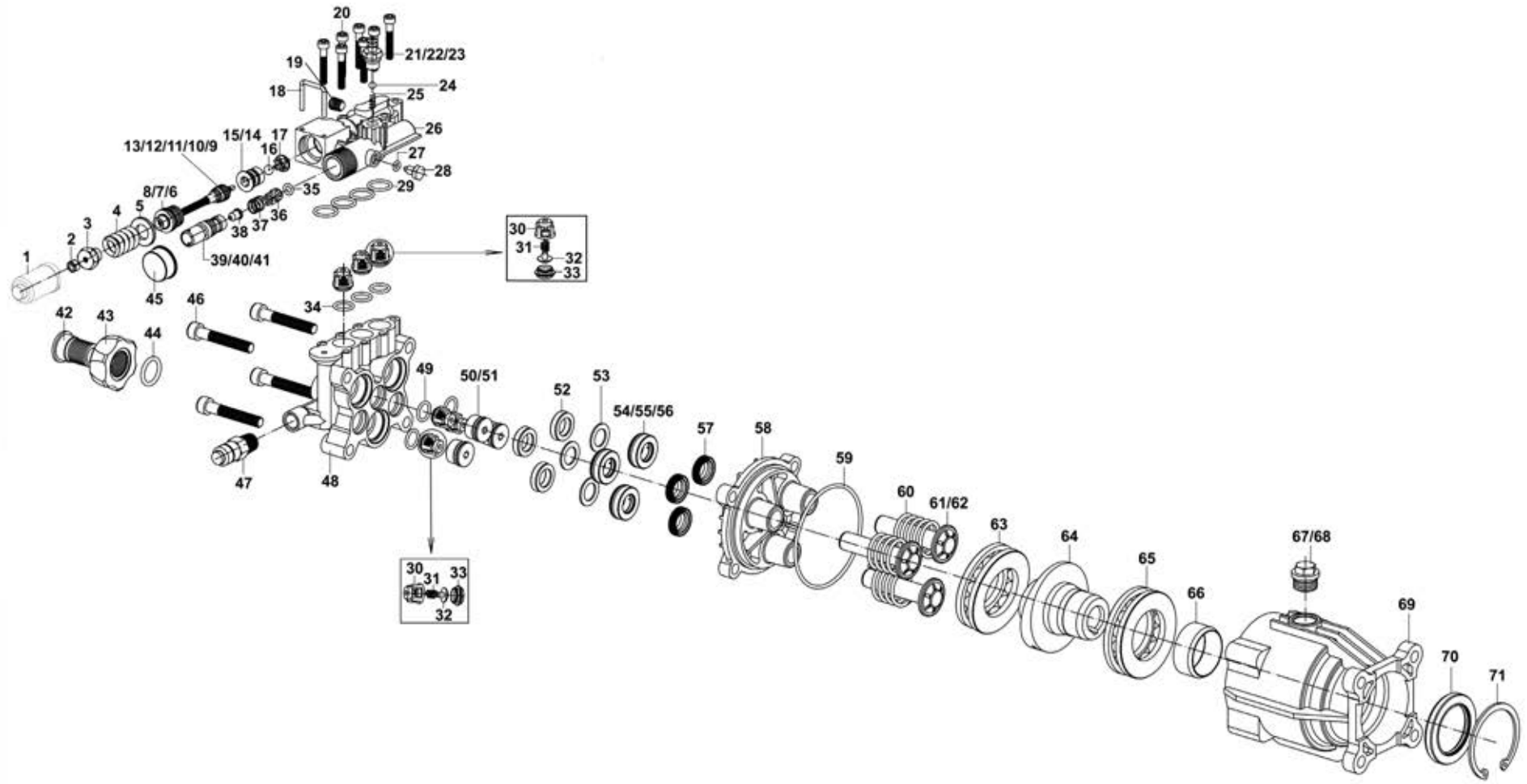
sales@sealey.co.uk



www.sealey.co.uk



Parts Information:
Pressure Washer 220bar 540L/hr 6.5hp Petrol
Model No: PWM2500.V2



NOTE: It is our policy to continually improve products and as such we reserve the right to alter data, specifications and component parts without prior notice.

There may be alternative versions of this product, please contact us should you require this information.

IMPORTANT: No liability is accepted for incorrect use of product. Spare parts must be fitted by a competent person

WARRANTY: Guarantee is 12 months from purchase date, proof of which will be required for any claim.

Sealey Group, Kempson Way, Suffolk Business Park, Bury St Edmunds, Suffolk. IP32 7AR



01284 757500



01284 703534



sales@sealey.co.uk



www.sealey.co.uk



Parts Information:
**Pressure Washer 220bar 540L/hr 6.5hp
 Petrol
 Model No: PWM2500.V2**

Item	Part No.	Description
1	PWM2500.V2-P01	Bypass Valve Cap
2	SN5.S	Steel Nut M5 Zinc
3	PWM2500.V2-P03	Adjustable Pressure Nut
4	PWM2500.V2-P04	Adjustable Pressure Spring
5	PWM2500.V2-P05	Adjustable Pressure Gasket
6	PWM2500.V2-P06	Bypass Valve Cover
7	PWM2500.V2-P07	O-Ring (14 x 1.8mm)
8	PWM2500.V2-P08	O-Ring (12.4 x 1.8mm)
9	PWM2500.V2-P09	Bypass Valve Core Ass'y
10	PWM2500.V2-P10	Split Ring 'A' (small)
11	PWM2500.V2-P11	O-Ring (8.6 x 1.8mm)
12	PWM2500.V2-P12	Split Ring 'B' (small)
13	PWM2500.V2-P13	O-Ring (8.6 x 1.8mm)
14	PWM2500.V2-P14	Upper Seat
15	PWM2500.V2-P15	O-Ring (9.5 x 1.8mm)
16	SB-7.0	Steel Ball 7.0mm
17	PWM2500.V2-P17	Steel Ball Seat
18	PWM2500.V2-P18	U-Pin
19	PWM2500.V2-P19	Sealing Screw
20	SCB530.S	Socket Cap Bolt M5 x 30
21	PWM2500.V2-P21	Suction Check Valve Body
22	PWM2500.V2-P22	O-Ring (4 x 1.5mm)
23	PWM2500.V2-P23	O-Ring (8 x 1.8mm)
24	SB-5.0	Steel Ball 5.0mm
25	PWM2500.V2-P25	Suction Check Valve Spring
26	PWM2500.V2-P26	Water Outlet Body
27	PWM2500.V2-P27	O-Ring (4.5 x 1.8mm)
28	PWM2500.V2-P28	Positioning Screw
29	PWM2500.V2-P29	O-Ring (15.4 x 1.9mm)
30	PWM2500.V2-P30	Check Valve Support
31	PWM2500.V2-P31	Check Valve Spring
32	PWM2500.V2-P32	Check Valve Core
33	PWM2500.V2-P33	Check Valve Seat
34	PWM2500.V2-P34	O-Ring (11.2 x 1.8mm)
35	PWM2500.V2-P35	O-Ring (5 x 2mm)
36	PWM2500.V2-P36	Non-Return Valve Core

Item	Part No.	Description
37	PWM2500.V2-P37	Non-Return Valve Spring
38	PWM2500.V2-P38	Copper Sleeve
39	PWM2500.V2-P39	Venturi Tube
40	PWM2500.V2-P40	O-Ring (9.3 x 1.8mm)
41	PWM2500.V2-P41	O-Ring (8 x 1.8mm)
42	PWM2500.V2-P42	Water Inlet Connector
43	PWM2500.V2-P43	Water Inlet Screw Connector Screw Cap
44	PWM2500.V2-P44	Nylon Gasket
45	PWM2500.V2-P45	Water Inlet Connector Cap
46	SCB850.SB	Socket Cap Bolt M8 x 50 Black
47	PWM2500.V2-P47	Thermal Protector
48	PWM2500.V2-P48	Pump Head
49	PWM2500.V2-P49	O-Ring (11.2 x 1.8mm)
50	PWM2500.V2-P50	O-Ring (15 x 1.8mm)
51	PWM2500.V2-P51	Check-Way Valve Nut
52	PWM2500.V2-P52	Y-Seal
53	PWM2500.V2-P53	Water Seal
54	PWM2500.V2-P54	Guide Sleeve
55	PWM2500.V2-P55	O-Ring (14 x 2.6mm)
56	PWM2500.V2-P56	O-Ring (23 x 1.8mm)
57	PWM2500.V2-P57	Piston Oil Seal
58	PWM2500.V2-P58	Pump Seat
59	PWM2500.V2-P59	O-Ring (75 x 2.8mm)
60	PWM2500.V2-P60	Piston Spring
61	PWM2500.V2-P61	Piston
62	PWM2500.V2-P62	Piston Spring Seat
63	B/51307A	Bearing race 51307a
64	PWM2500.V2-P64	Wobble Plate
65	B/51307B	Bearing race 51307b
66	PWM2500.V2-P66	Steel Ring
67	PWM2500.V2-P67	Nut Cap
68	PWM2500.V2-P68	O-Ring (15.4 x 1.8mm)
69	PWM2500.V2-P69	Pump Housing
70	PWM2500.V2-P70	Oil Seal
71	PWM2500.V2-P71	Spring Gasket 'A'

NOTE: It is our policy to continually improve products and as such we reserve the right to alter data, specifications and component parts without prior notice. There may be alternative versions of this product, please contact us should you require this information.

IMPORTANT: No liability is accepted for incorrect use of product. Spare parts must be fitted by a competent person

WARRANTY: Guarantee is 12 months from purchase date, proof of which will be required for any claim.

Sealey Group, Kempson Way, Suffolk Business Park, Bury St Edmunds, Suffolk. IP32 7AR



01284 757500



01284 703534



sales@sealey.co.uk



www.sealey.co.uk