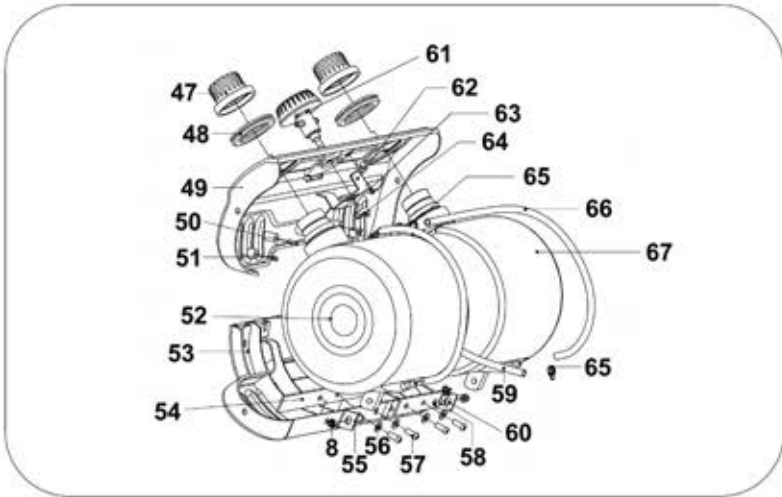
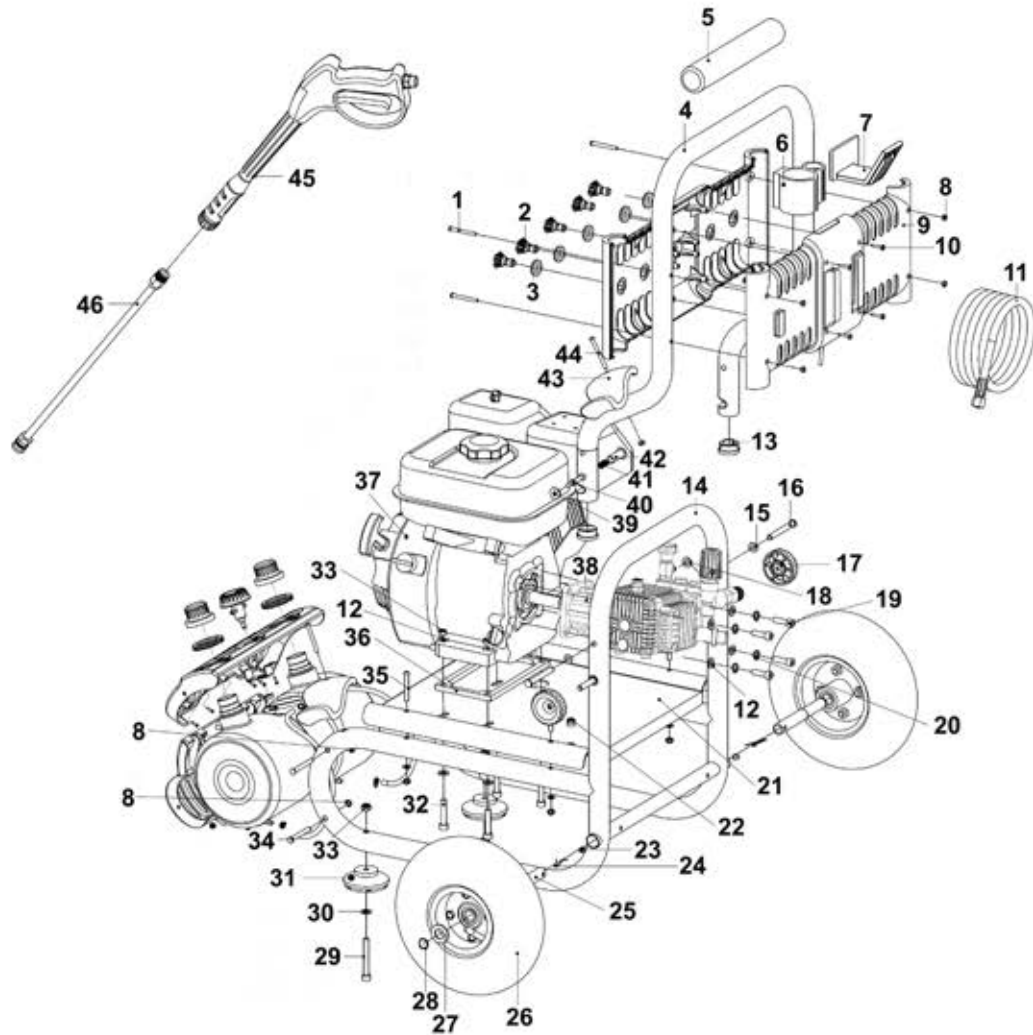




Parts Information:
Pressure Washer 220bar 540L/hr Self-Priming 6.5hp Petrol
Model No: PWM2500SP.V2



NOTE: It is our policy to continually improve products and as such we reserve the right to alter data, specifications and component parts without prior notice.

There may be alternative versions of this product, please contact us should you require this information.

IMPORTANT: No liability is accepted for incorrect use of product. Spare parts must be fitted by a competent person

WARRANTY: Guarantee is 12 months from purchase date, proof of which will be required for any claim.

Sealey Group, Kempson Way, Suffolk Business Park, Bury St Edmunds, Suffolk. IP32 7AR



01284 757500



01284 703534



sales@sealey.co.uk



www.sealey.co.uk



Parts Information:
Pressure Washer 220bar 540L/hr Self-Priming 6.5hp Petrol
Model No: PWM2500SP.V2

Item	Part No.	Description
1	PWDM3600.01	Screw (M5x42)
2	PWM2500SPV2-F02	Nozzle
3	PWM2500SPV2-F03	Nozzle Gasket
4	PWM2500SPV2-F04	Upper Frame
5	PWM2500SPV2-F05	Upper Frame Foam
6	PWM2500SPV2-F06	Gun Holder
7	PWM2500SPV2-F07	Hose Hook
8	SN5.S	Steel Nut M5 Zinc
9	PWM2500SPV2-F09	Back Panel
10	MSP422.SB	Machine Screw Pan Head Phillips Black M4 x 22
11	PWM2500SPV2-F11	High Pressure Hose
12	FWM8.S	Flat Washer M8 Zinc
13	PWM2500SPV2-F13	End Cap
14	PWM2500SPV2-F14	Frame Base
15	PWM2500SPV2-F15	Frame Spindle Washer
16	PWM2500SPV2-F16	Frame Spindle
17	PWM2500SPV2-F17	Knob Assembly
18	SWM8.SB	Spring Washer M8 Black
19	SCB825.SB	Socket Cap Bolt M8 x 25 Black
20	SWM8.SB	Spring Washer M8 Black
21	PWM2500SPV2-F21	Base
22	PWM2500SPV2-F22	Wire Cover
23	PWM2500SPV2-F23	Circlip
24	PWM2500SPV2-F24	R-Pin
25	PWM2500SPV2-F25	Wheel Shaft
26	PWM2500SPV2-F26	Pneumatic Wheel 10"
27	FWM16.S	Flat Washer M16 Zinc
28	SWM16.S	Spring Washer M16 Zinc
29	PWM2500SPV2-F29	Machine Screw Pan Head Phillips M8x45
30	FWM8.S	Flat Washer M8 Zinc
31	PWM2500SPV2-F31	Rubber Foot
32	PWM2500SPV2-F32	Machine Screw Pan Head Phillips M8x45
33	NLN8.S	Nyloc Nut M8 Zinc
34	MSP540.S	Machine Screw Pan Head Phillips M5x40mm

Item	Part No.	Description
35	PWM2500SPV2-F35	Machine Screw Pan Head Phillips M6x45
36	PWM2500SPV2-F36	Recoil Starter Ass'y
37	PWM2500SPV2-F37	Engine
38	PWM2500SPV2-F38	Crank Pump
39	PWM2500SPV2-F39	Outside Limit
40	PWM2500SPV2-F40	Limit Pin
41	PWM2500SPV2-F41	Spring
42	PWM2500SPV2-F42	Internal Limit Pin
43	PWM2500SPV2-F43	Gun Holster
44	MSP550.SB	Machine Screw Pan Head Phillips M5x50mm
45	PWM2500SPV2-F45	High Pressure Gun
46	PWM2500SPV2-F46	High Pressure Lance
47	PWM2500SPV2-F47	Detergent Bottle Cap
48	PWM2500SPV2-F48	Detergent Bottle Gasket
49	PWM2500SPV2-F49	Detergent Bottle Upper Gasket
50	PWM2500SPV2-F50	Rd Head S/T Screw M4x16
51	PWM2500SPV2-F51	Rd Head S/T Screw M4x10
52	PWM2500SPV2-F52	Detergent Tank (Right Side)
53	PWM2500SPV2-F53	Detergent Bottle Lower Panel
54	PWM2500SPV2-F54	Detergent Bottle Fized Plate (Long)
55	PWM2500SPV2-F55	Detergent Bottle Fixed Plate (Right)
56	FWM5.S	Flat Washer M5 Zinc
57	MSP516.S	Machine Screw Pan Head Phillips M5 x 16
58	MSP516.S	Machine Screw Pan Head Phillips M5 x 16
59	PWM2500SPV2-F59	Injection Hose (Long)
60	PWM2500SPV2-F60	Detergent Bottle Fixed Plate (Left)
61	PWM2500SPV2-F61	Detergent Bottle Switch
62	PWM2500SPV2-F62	Switch Fixing Plate
63	MSP48.SB	Machine Screw Pan Head Phillips M4x8mm
64	PWM2500SPV2-F64	Detergent Bottle Switch Nut
65	PWM2500SPV2-F65	Detergent Bottle Switch Circlip
66	PWM2500SPV2-F66	Injection Hose (Short)
67	PWM2500SPV2-F67	Detergent Tank (Left Side)

NOTE: It is our policy to continually improve products and as such we reserve the right to alter data, specifications and component parts without prior notice. There may be alternative versions of this product, please contact us should you require this information.

IMPORTANT: No liability is accepted for incorrect use of product. Spare parts must be fitted by a competent person

WARRANTY: Guarantee is 12 months from purchase date, proof of which will be required for any claim.

Sealey Group, Kempson Way, Suffolk Business Park, Bury St Edmunds, Suffolk. IP32 7AR



01284 757500



01284 703534



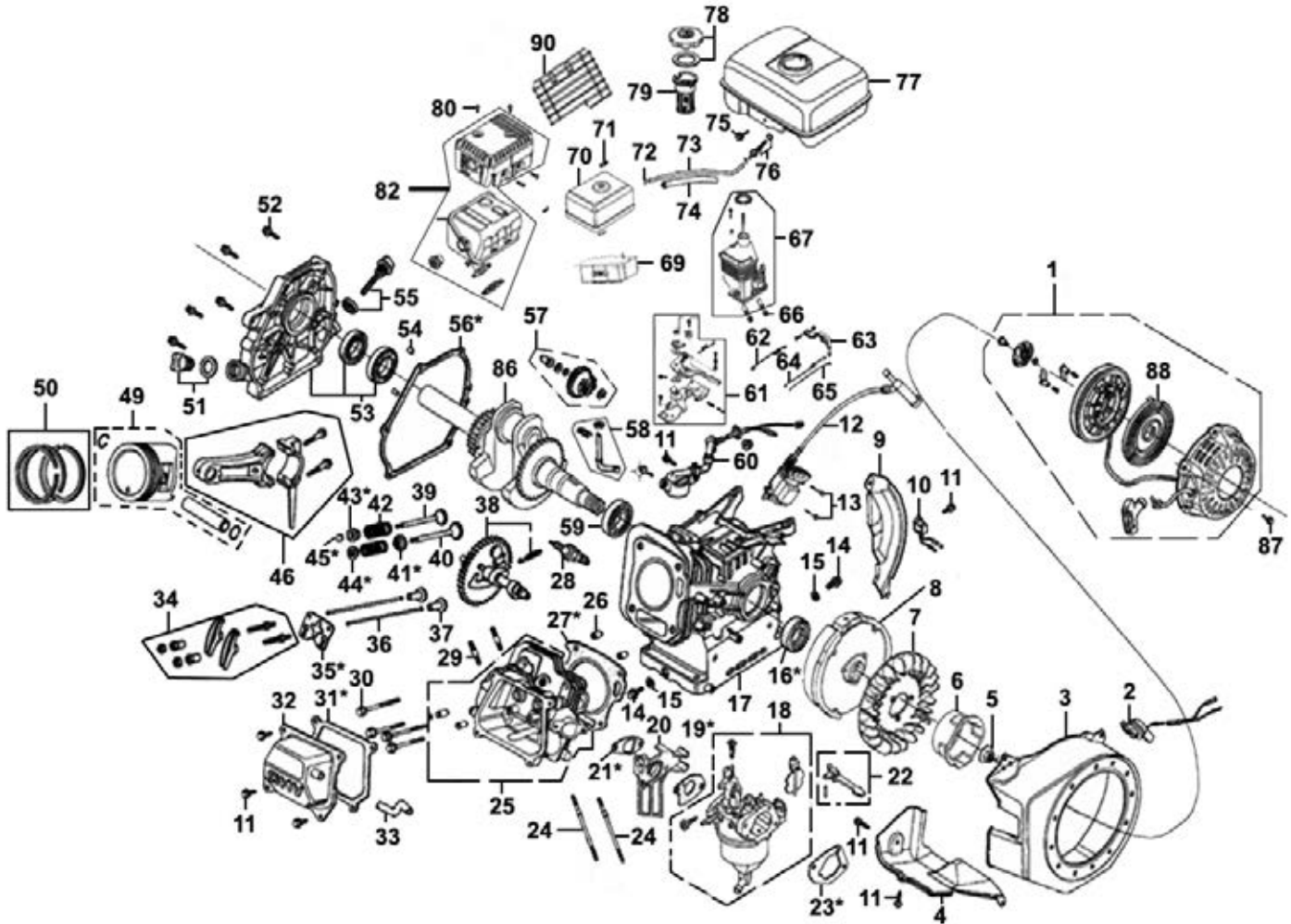
sales@sealey.co.uk



www.sealey.co.uk



Parts Information:
Pressure Washer 220bar 540L/hr Self-Priming 6.5hp Petrol
Model No: PWM2500SP.V2



Item	Part No.	Description
1	PWM2500SPV2-E01	Recoil Starter Complete
2	PWM2500SPV2-E02	On/Off Rotary Engine Switch. c/w Wires
3	PWM2500SPV2-E03	Fan Cover Complete
4	PWM2500SPV2-E04	Shroud Complete
5	SN14.S	Steel Nut M14 Zinc
6	PWM2500SPV2-E06	Starter Pulley
7	PWM2500SPV2-E07	Flywheel Fan
8	PWM2500SPV2-E08	Flywheel Complete
9	PWM2500SPV2-E09	Side Plate
10	PWM2500SPV2-E10	Diode
11	SFS612.S	Hex Head Flange Bolt M6 X 12 Zinc
12	PWM2500SPV2-E12	Ignition Coil Ass'y
13	SFS625.S	Hex Head Flange Bolt M6 X 25 Zin

Item	Part No.	Description
14	PWM2500SPV2-E14	Drain Bolt (M10 x 1.5)
15	PWM2500SPV2-E15	Drain Washer
16	PWM2500SPV2-E16	Oil Seal (25x41.25x6)
17	PWM2500SPV2-E17	Crankcase Ass'y
18	PWM2500SPV2-E18	Carburetor Ass'y
19	PWM2500SPV2-E19	Carburetor Gasket
20	PWM2500SPV2-E20	Carburetor Insulator
21	PWM2500SPV2-E21	Insulator Gasket
22	PWM2500SPV2-E22	Choke Level Complete
23	PWM2500SPV2-E23	Air Cleaner Packing
24	PWM2500SPV2-E24	Bolt Head (M6x12)
25	PWM2500SPV2-E25	Cylinder Head Complete
26	PWM2500SPV2-E26	Dowel Pin (10x16)

NOTE: It is our policy to continually improve products and as such we reserve the right to alter data, specifications and component parts without prior notice. There may be alternative versions of this product, please contact us should you require this information.

IMPORTANT: No liability is accepted for incorrect use of product. Spare parts must be fitted by a competent person

WARRANTY: Guarantee is 12 months from purchase date, proof of which will be required for any claim.

Sealey Group, Kempson Way, Suffolk Business Park, Bury St Edmunds, Suffolk. IP32 7AR



01284 757500



01284 703534



sales@sealey.co.uk



www.sealey.co.uk



Parts Information:
Pressure Washer 220bar 540L/hr Self-Priming 6.5hp Petrol
Model No: PWM2500SP.V2

Item	Part No.	Description
27	PWM2500SPV2-E27	Cylinder Head Gasket
28	PWM2500SPV2-E28	Spark Plug (F7RTC)
29	PWM2500SPV2-E29	Double End Bolt (M8x35)
30	PWM2500SPV2-E30	Flange Bolt (M8x55)
31	PWM2500SPV2-E31	Cylinder Head Cover Gasket
32	PWM2500SPV2-E32	Cylinder Head Cover Complete
33	PWM2500SPV2-E33	Breather
34	PWM2500SPV2-E34	Valve Rocker Arm Ass'y
35	PWM2500SPV2-E35	Pushrod Guide Plate
36	PWM2500SPV2-E36	Pushrod
37	PWM2500SPV2-E37	Valve Lifter
38	PWM2500SPV2-E38	Camshaft Ass'y
39	PWM2500SPV2-E39	Valve, Exhaust
40	PWM2500SPV2-E40	Valve, Intake
41	PWM2500SPV2-E41	Valve Spring Seat
42	PWM2500SPV2-E42	Valve Spring
43	PWM2500SPV2-E43	Valve Spring Retainer, Ex
44	PWM2500SPV2-E44	Valve Spring Retainer, In
45	PWM2500SPV2-E45	Valve Rotator
46	PWM2500SPV2-E46	Con-Rod Ass'y
49	PWM2500SPV2-E49	Piston Complete
50	PWM2500SPV2-E50	Piston Ring Set
51	PWM2500SPV2-E51	Oil Cap
52	PWM2500SPV2-E52	Flange Bolt (M8x32)
53	PWM2500SPV2-E53	Crankcase Cover Ass'y
54	PWM2500SPV2-E54	Dowel Pin (8x14)
55	PWM2500SPV2-E55	Oil Filler Cap Ass'y
56	PWM2500SPV2-E56	Crankcase Cover Gasket
57	PWM2500SPV2-E57	Governor Ass'y

Item	Part No.	Description
58	PWM2500SPV2-E58	Governor Shaft Ass'y
59	PWM2500SPV2-E59	Radial Bearing (6025)
60	PWM2500SPV2-E60	Oil Level Switch Ass'y
61	PWM2500SPV2-E61	Control Ass'y
62	PWM2500SPV2-E62	Governor Spring Dia 0.6mm
63	PWM2500SPV2-E63	Governor Arm
64	PWM2500SPV2-E64	Throttle Return Spring Dia 6.8mm
65	PWM2500SPV2-E65	Governor Rod
66	NLN6.S	Nyloc Nut M6 Zinc
67	PWM2500SPV2-E67	Air Cleaner Housing
69	PWM2500SPV2-E69	Air Cleaner Housing Complete
70	PWM2500SPV2-E70	Air Cleaner Cover
71	PWM2500SPV2-E71	Wing Nut
72	PWM2500SPV2-E72	Oil Tube Clip
73	PWM2500SPV2-E73	Oil Tube (4X8X150)
74	PWM2500SPV2-E74	PVC Sleeve
75	PWM2500SPV2-E75	Screw (M6x28)
76	PWM2500SPV2-E76	Fuel Tank Joint
77	PWM2500SPV2-E77	Fuel Tank
78	PWM2500SPV2-E78	Fuel Tank Cap
79	PWM2500SPV2-E79	Fuel Filter
80	PWM2500SPV2-E80	Tapping Screw (M4x10)
82	PWM2500SPV2-E82	Muffler Assy
86	PWM2500SPV2-E86	Crankshaft Complete
87	PWM2500SPV2-E87	Screw (M6x10)
88	PWM2500SPV2-E88	Starter Coil Spring
90	PWM2500SPV2-E90	Muffler Cover
--	PWM2500SPV2-E89	Tool Kit (Not Shown)

NOTE: It is our policy to continually improve products and as such we reserve the right to alter data, specifications and component parts without prior notice. There may be alternative versions of this product, please contact us should you require this information.

IMPORTANT: No liability is accepted for incorrect use of product. Spare parts must be fitted by a competent person

WARRANTY: Guarantee is 12 months from purchase date, proof of which will be required for any claim.

Sealey Group, Kempson Way, Suffolk Business Park, Bury St Edmunds, Suffolk. IP32 7AR



01284 757500



01284 703534



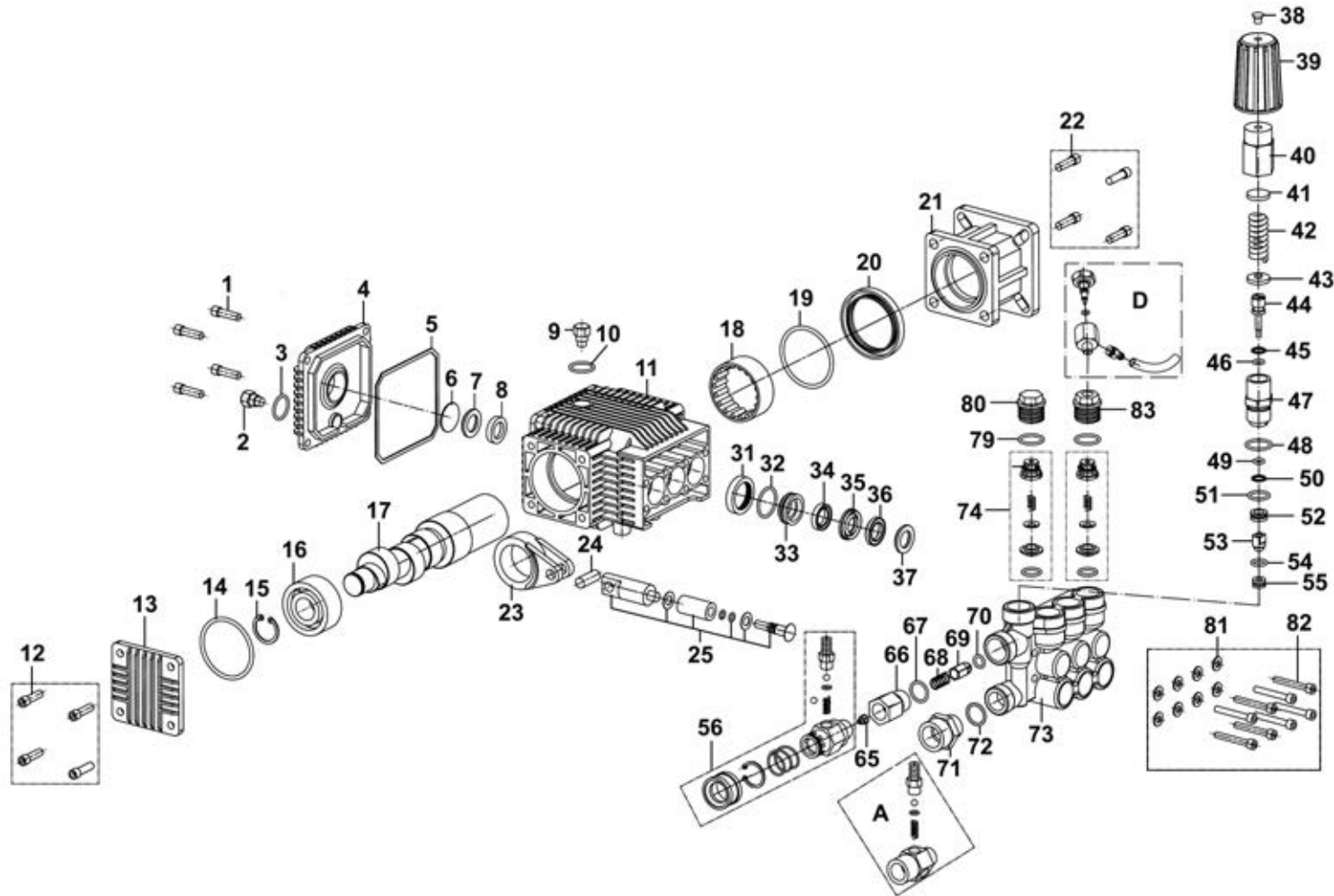
sales@sealey.co.uk



www.sealey.co.uk



Parts Information:
Pressure Washer 220bar 540L/hr Self-Priming 6.5hp Petrol
Model No: PWM2500SP.V2



NOTE: It is our policy to continually improve products and as such we reserve the right to alter data, specifications and component parts without prior notice.

There may be alternative versions of this product, please contact us should you require this information.

IMPORTANT: No liability is accepted for incorrect use of product. Spare parts must be fitted by a competent person

WARRANTY: Guarantee is 12 months from purchase date, proof of which will be required for any claim.

Sealey Group, Kempson Way, Suffolk Business Park, Bury St Edmunds, Suffolk. IP32 7AR



01284 757500



01284 703534



sales@sealey.co.uk



www.sealey.co.uk



Parts Information:
Pressure Washer 220bar 540L/hr Self-Priming 6.5hp Petrol
Model No: PWM2500SP.V2

Item	Part No.	Description
1	PWM2500SPV2-P01	Fixing Bolt for Back Cover
2	PWM2500SPV2-P02	Oil Drain Bolt
3	PWM2500SPV2-P03	Oil Drain Bolt Washer
4	PWM2500SPV2-P04	Crankcase Cover
5	PWM2500SPV2-P05	Crankcase Cover Gasket
6	PWM2500SPV2-P06	Oil Level Lens
7	PWM2500SPV2-P07	Oil Level Lens Seal
8	PWM2500SPV2-P08	Oil Level Lens Cap
9	PWM2500SPV2-P09	Oil Inlet Plug
10	PWM2500SPV2-P10	Oil Inlet Plug O-Ring
11	PWM2500SPV2-P11	Crankcase
12	PWM2500SPV2-P12	Fixing Bolt for Crank Shaft Cover
13	PWM2500SPV2-P13	Crank Shaft Cover
14	PWM2500SPV2-P14	Crank Shaft Cover O-Ring
15	PWM2500SPV2-P15	Int Circlip
16	PWM2500SPV2-P16	Bearing
17	PWM2500SPV2-P17	Crank Shaft
18	PWM2500SPV2-P18	Roller Bearing
19	PWM2500SPV2-P19	Crank Shaft Oil Seal O-Ring
20	PWM2500SPV2-P20	Crank Shaft Oil Seal
21	PWM2500SPV2-P21	Connecting Flange
22	PWM2500SPV2-P22	Fixing Bolt for Connecting Flange
23	PWM2500SPV2-P23	Connecting Rod
24	PWM2500SPV2-P24	Connecting Rod Pin
25	PWM2500SPV2-P25	Plunger Piston Ass'y
31	PWM2500SPV2-P31	Plunger Oil Seal
32	PWM2500SPV2-P32	Water Seal O-Ring
33	PWM2500SPV2-P33	Water Seal Cap
34	PWM2500SPV2-P34	Water Seal Guide Ring
35	PWM2500SPV2-P35	Water Seal Grip Ring
36	PWM2500SPV2-P36	Water Seal
37	PWM2500SPV2-P37	Support Seal
38	PWM2500SPV2-P38	Pressure Adjusting Handle Screw
39	PWM2500SPV2-P39	Pressure Adjusting Handle

Item	Part No.	Description
40	PWM2500SPV2-P40	Pressure Adjusting Handle Cover
41	PWM2500SPV2-P41	Pressure Adjusting Spring Upper Gasket
42	PWM2500SPV2-P42	Pressure Adjusting Spring
43	PWM2500SPV2-P43	Pressure Adjusting Spring Middle Gasket
44	PWM2500SPV2-P44	Pressure Adjusting Valve Core
45	PWM2500SPV2-P45	Valve Core O-Ring Collar
46	PWM2500SPV2-P46	Valve Core O-Ring
47	PWM2500SPV2-P47	Pressure Adjusting Sheath
48	PWM2500SPV2-P48	Pressure Adjusting Sheath O-Ring
49	PWM2500SPV2-P49	Pressure Adjusting Sheath Inner O-Ring
50	PWM2500SPV2-P50	Pressure Adjusting Seat
51	PWM2500SPV2-P51	Pressure Adjusting Seat Outer O-Ring
52	PWM2500SPV2-P52	Pressure Adjusting Seat
53	PWM2500SPV2-P53	Pressure Adjusting Valve Head
54	PWM2500SPV2-P54	Pressure Adjusting Gasket O-Ring
55	PWM2500SPV2-P55	Pressure Adjusting Gasket
65	PWM2500SPV2-P65	Water Spray Nozzle
66	PWM2500SPV2-P66	Coned Valve Joint
67	PWM2500SPV2-P67	Coned Valve Joint O-Ring
68	PWM2500SPV2-P68	Coned Valve Spring
69	PWM2500SPV2-P69	Coned Valve
70	PWM2500SPV2-P70	Coned Valve O-Ring
71	PWM2500SPV2-P71	Water Inlet Connector
72	PWM2500SPV2-P72	Water Inlet Connector O-Ring
73	PWM2500SPV2-P73	Pump Body
74	PWM2500SPV2-P74	Check Valve Ass'y
79	PWM2500SPV2-P79	Check Valve Cap O-Ring
80	PWM2500SPV2-P80	Check Valve Cap
81	PWM2500SPV2-P81	Washer
82	PWM2500SPV2-P82	Fixing Bolt for Pump Body
83	PWM2500SPV2-P83	Check Valve Plug
A	PWM2500SPV2-A	Water Outlet Connector
D	PWM2500SPV2-D	Vent Valvew Ass'y

NOTE: It is our policy to continually improve products and as such we reserve the right to alter data, specifications and component parts without prior notice. There may be alternative versions of this product, please contact us should you require this information.

IMPORTANT: No liability is accepted for incorrect use of product. Spare parts must be fitted by a competent person

WARRANTY: Guarantee is 12 months from purchase date, proof of which will be required for any claim.

Sealey Group, Kempson Way, Suffolk Business Park, Bury St Edmunds, Suffolk. IP32 7AR



01284 757500



01284 703534



sales@sealey.co.uk



www.sealey.co.uk