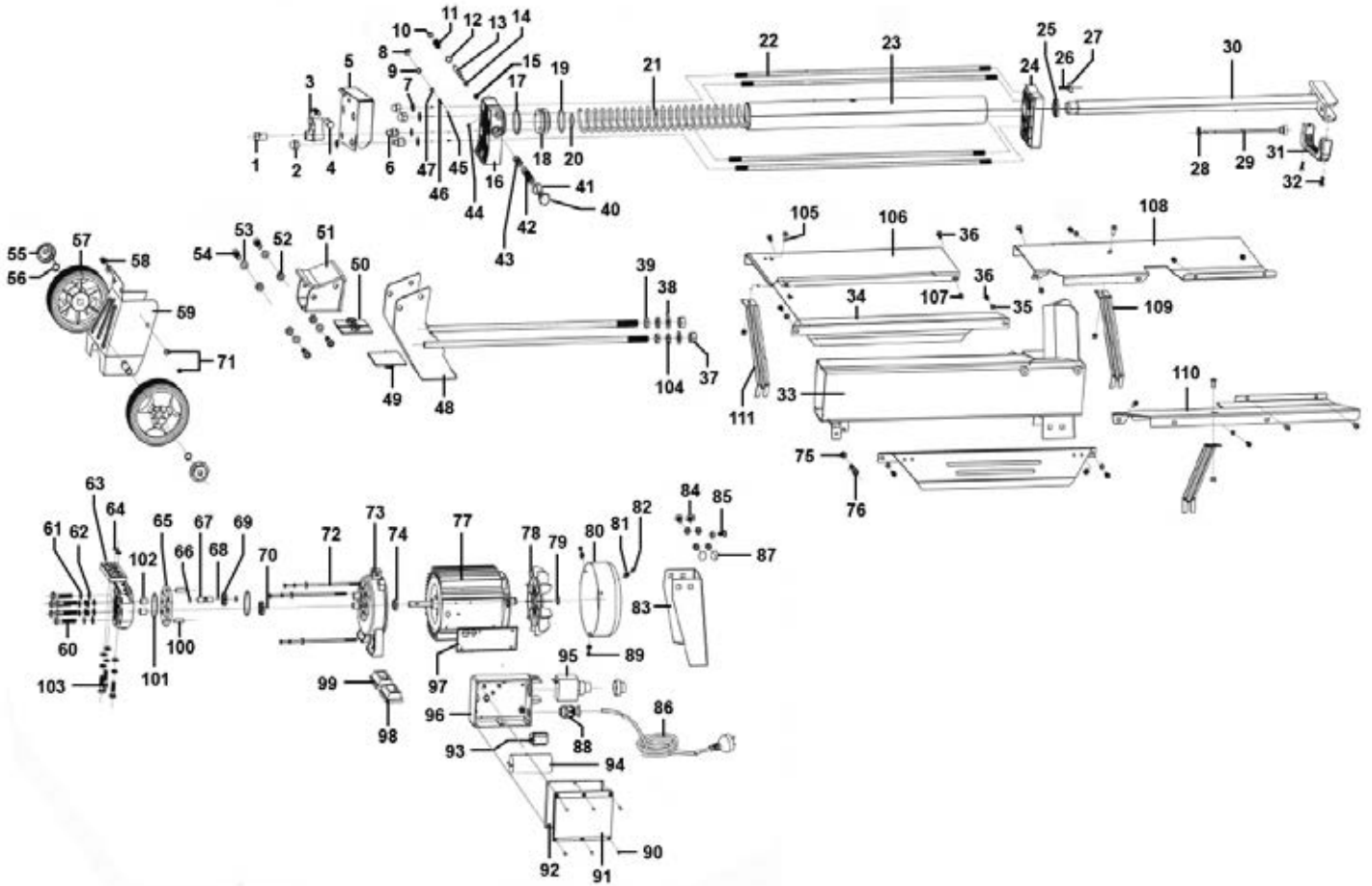


Parts Information:  
**Horizontal Log Splitter 4tonne 370mm Capacity**  
**Model No: LS370H.V2**



Item	Part No.	Description
1	LS520HV2-01	Lever Nut
2	SN10.SD	Steel Nut M10 Domed
3	LS520HV2-03	Lever
4	LS520HV2-04	Lever Knob
5	LS520HV2-05	Lever Guard
6	LS520HV2-06	Customized Nut
7	LS520HV2-07	Copper Gasket
8	LS370HV2-08	Safety Valve Bolt M8
9	LS520HV2-09	O-Ring, (Ex: 7.24 In: 3.68 Cs: 1.78)
10	LS520HV2-10	E-Clip 5.8mm
11	LS520HV2-11	Valve Spring Dia 11.8mm
12	LS520HV2-12	O-Ring, (Ex: 7.24 In: 3.68 Cs: 1.78)
13	LS520HV2-13	Valve Rod Ass'y
14	LS520HV2-14	Sliding Sleeve
15	LS370HV2-15	Sliding Sleeve Spring
16	LS520HV2-16	Aluminum Cover (Rear)
17	2200HL.45	O-Ring, (Ex: 55.71 In: 50.47 Cs: 2.62)

Item	Part No.	Description
18	LS520HV2-18	Piston
19	LS520HV2-19	Piston Ring
20	SA51/13)	O-Ring, (Ex: 32.06 In: 25 Cs: 3.53)
21	LS520HV2-21	Spring
22	LS370HV2-22	Stud Bolt
23	LS370HV2-23	Hydraulic Cylinder
24	LS370HV2-24	Aluminum Cover (Front)
25	LS520HV2-25	Piston Rod Seal
26	SA912.V2-04	O-Ring, (Ex: 7.24 In: 3.68 Cs: 1.78)
27	LS520HV2-27	Wing Bolt M5x12
28	FWM14.S	Flat Washer M14 Zinc
29	LS370HV2-29	Dipstick
30	LS370HV2-30	Piston Rod
31	LS370HV2-31	Lift Handle
32	SCB616.SB	Socket Cap Bolt M6 x 16mm Black
33	LS370HV2-33	Frame
34	LS370HV2-34	Lead Plate

**NOTE:** It is our policy to continually improve products and as such we reserve the right to alter data, specifications and component parts without prior notice. There may be alternative versions of this product, please contact us should you require this information.

**IMPORTANT:** No liability is accepted for incorrect use of product. Spare parts must be fitted by a competent person

**WARRANTY:** Guarantee is 12 months from purchase date, proof of which will be required for any claim.



Parts Information:  
**Horizontal Log Splitter 4tonne 370mm Capacity**  
**Model No: LS370H.V2**

Item	Part No.	Description
35	SWM6.S	Spring Washer M6 Zinc
36	SCB612.SB	Socket Cap Bolt M6 x 12mm Black
37	SN14.SB	Steel Nut M14 Black
38	FWM14.SB	Flat Washer M14 Black (Single)
39	LS520HV2-39	Half Nut M14
40	LS370H.V2-40	Drain Plug
41	FWM16.SB	Flat Washer M16 Black
42	LS520HV2-42	Valve Sleeve
43	LS520HV2-43	O-Ring, (Ex: 13.72 In: 10 Cs: 1.86)
44	GSM58.S	Grub Screw M5x8 (Single)
45	SB-6.0	Steel Ball 6.0mm
46	LS520HV2-46	Valve Spring
47	GSM88.S	Grub screw m8x8 (single)
48	LS370H.V2-48	Log Pusher Connection
49	LS520HV2-49	Lower Plastic Insert
50	LS520HV2-50	Upper Plastic Insert
51	LS520HV2-51	Log Pusher
52	SN10.SB	Steel Nut M10 Black
53	FWM10.SB	Flat washer M10 Black
54	SS1025.SB	Hex Head Set Screw M10 X 25
55	LS520HV2-55	Wheel Cap
56	LS370H.V2-56	Shaft Circlip A14
57	LS370H.V2-57	Wheel
58	FWM6.SB	Flat Washer M6 Black
59	LS520HV2-59	Wheel Frame Plate
60	HHB855.S	Hex Head Bolt M8 x 55mm
61	SWM8.SB	Spring Washer M8 Black
62	FWM8.SB	Flat Washer M8 Black
63	LS370H.V2-63	Gear Pump Cover
64	LS520HV2-64	O-Ring, (Ex: 16.01 In: 10.77 Cs: 2.62)
65	LS520HV2-65	Gear Housing Plate
66	LS520HV2-66	Circlip 10mm
67	LS520HV2-67	Gear Shaft
68	SB-2.5	Steel ball 2.5mm
69	LS520HV2-69	Pump Gear
70	LS520HV2-70	Pin 2.5x4
71	FWM6.SB	Flat Washer M6 Black
72	LS520HV2-72	Bolt M5x180
73	LS520HV2-73	Motor Cover

Item	Part No.	Description
74	LS520H.V2-74	Motor Shaft Seal FB11x26x7
75	SN8.SB	Steel Nut M8 Black
76	SCB835.SB	Socket Cap Bolt M8 X 35mm Black
77	LS370H.V2-77	Motor
78	LS520H.V2-78	Motor Fan
79	RE231V3-15	External Circlip 12.7mm ID
80	LS520H.V2-80	Motor Cover
81	SWM5.SB	Spring Washer M5 Black
82	LS520H.V2-82	Screw M5x10
83	LS520H.V2-83	Leg
84	SN8.SB	Steel Nut M8 Black
85	LS520H.V2-85	Carriage Bolt M8x12
86	LS520H.V2-86	Cable & Plug
87	SCB816.SB	Socket Cap Bolt M8 x 16mm Black
88	LS520H.V2-88	Cable Gland
89	FWM5.SB	Flat Washer M5 Black
90	LS520H.V2-90	Screw M4x10
91	LS520H.V2-91	Switch Box Cover
92	LS520H.V2-92	Airproof Gasket
93	LS520H.V2-93	Connection Terminal
94	LS520H.V2-94	Capacitor
95	LS520H.V2-95	Switch
96	LS520H.V2-96	Switch Box
97	LS520H.V2-97	Waterproof Gasket
98	LS520H.V2-98	Motor Support Shoe (Left)
99	LS520H.V2-99	Motor Support Shoe (Right)
100	LS520H.V2-100	Pin 8x24
101	LS520H.V2-101	O-Ring, (Ex: 50.91 In: 47.35 Cs: 1.78)
102	LS520H.V2-102	Sliding Sleeve
103	SS830.S	Hex Head Set Screw M8 X 30 Zinc
104	SWM14.S	Spring Washer M14 Zinc
105	SCB612.SB	Socket Cap Bolt M6 x 12mm Black
106	LS370H.V2-106	Guard Bottom Plate
107	NLN6.S	Nyloc Nut M6 Zinc
108	LS520H.V2-108	Log Tray (A)
109	LS520H.V2-109	Support Strut (A)
110	LS520H.V2-110	Log tray (B) /
111	LS520H.V2-111	Support Strut (B)

**NOTE:** It is our policy to continually improve products and as such we reserve the right to alter data, specifications and component parts without prior notice. There may be alternative versions of this product, please contact us should you require this information.

**IMPORTANT:** No liability is accepted for incorrect use of product. Spare parts must be fitted by a competent person

**WARRANTY:** Guarantee is 12 months from purchase date, proof of which will be required for any claim.

**Sealey Group**, Kempson Way, Suffolk Business Park, Bury St Edmunds, Suffolk. IP32 7AR



01284 757500



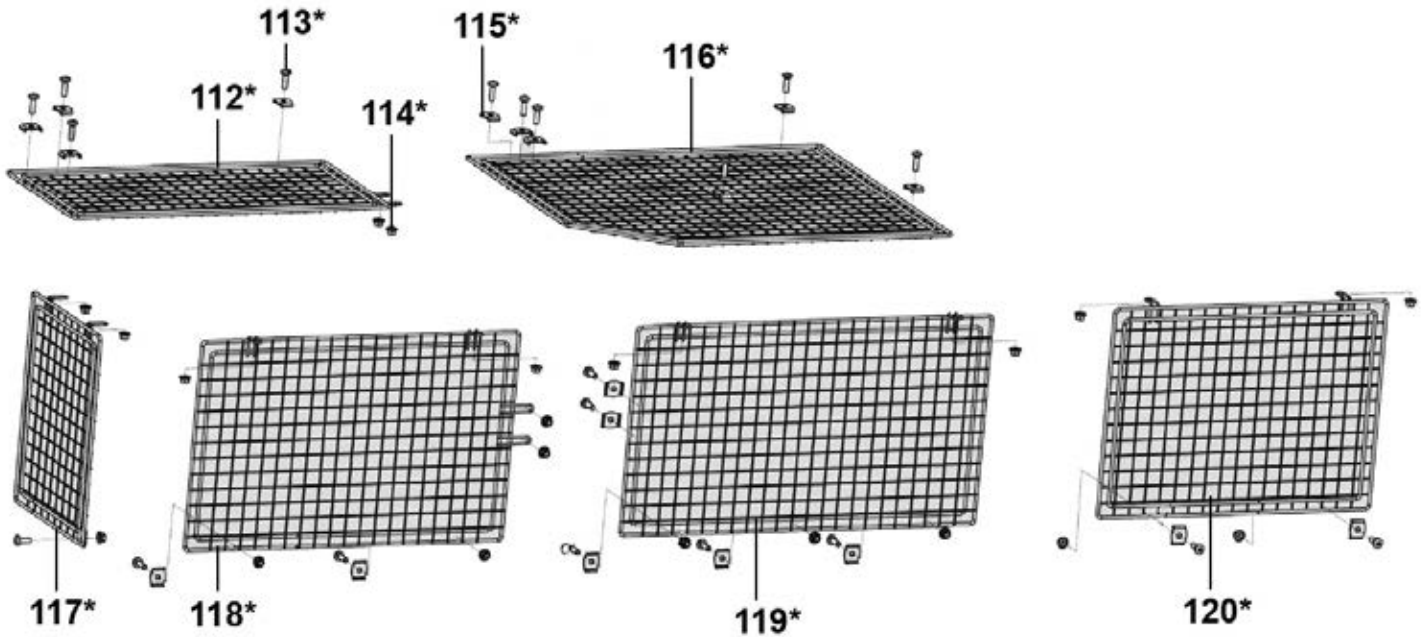
01284 703534



sales@sealey.co.uk



www.sealey.co.uk



Item	Part No.	Description
112	LS520H.V2-112	Top Guard Plate (B)
113	LS520H.V2-113	Screw M6x20
114	NLN6.S	Nyloc Nut M6 Zinc
115	LS520H.V2-115	U-Spacer
116	LS520H.V2-116	Top Guard Plate (A)

Item	Part No.	Description
117	LS520H.V2-117	Left Guard Plate
118	LS520H.V2-118	Rear Guard Plate (B)
119	LS520H.V2-119	Rear Guard Plate (A)
120	LS520H.V2-120	Front Guard Plate

**NOTE:** It is our policy to continually improve products and as such we reserve the right to alter data, specifications and component parts without prior notice. There may be alternative versions of this product, please contact us should you require this information.

**IMPORTANT:** No liability is accepted for incorrect use of product. Spare parts must be fitted by a competent person

**WARRANTY:** Guarantee is 12 months from purchase date, proof of which will be required for any claim.