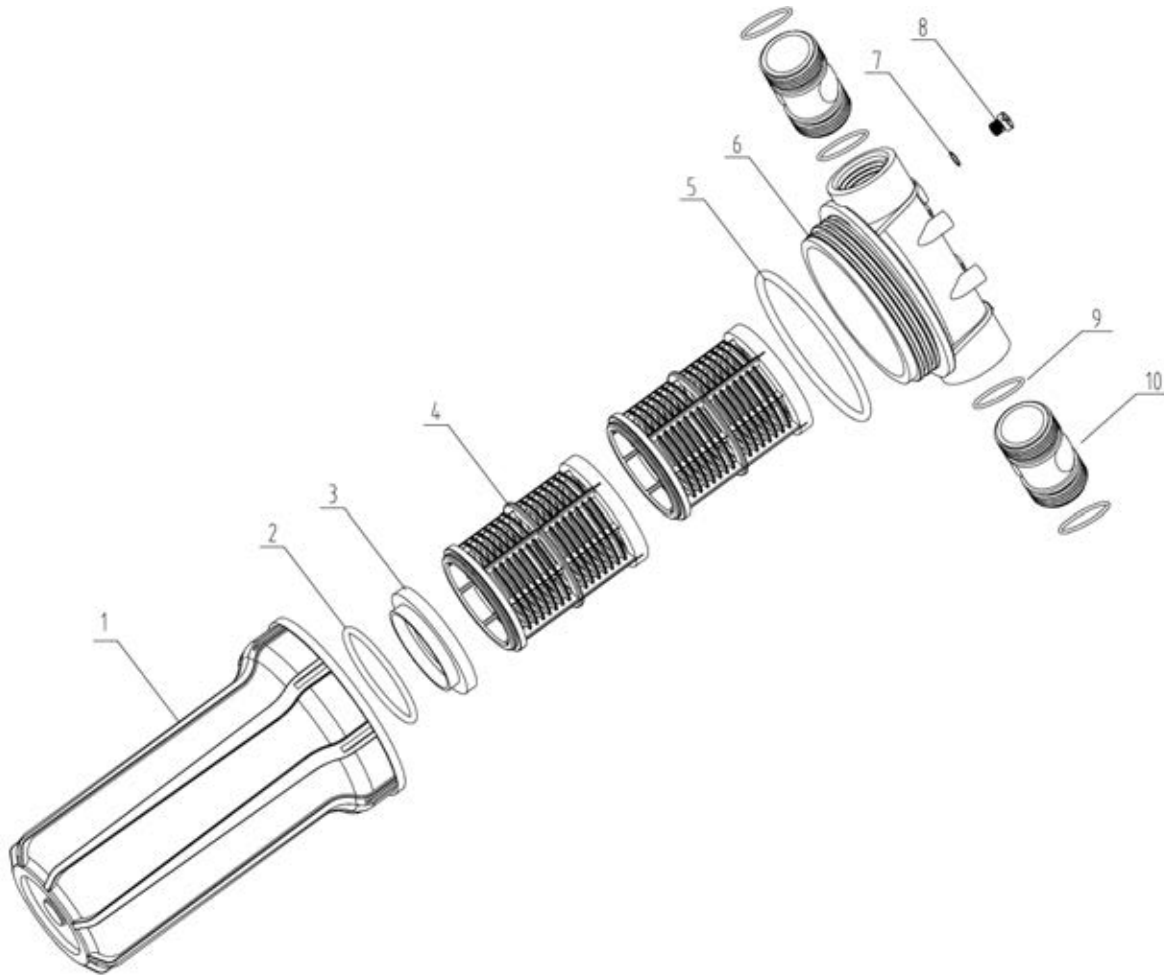




Parts Information:
Inlet Filter for Surface Mounting Pumps
2ltr
Model No: WPF2



Item	Part No.	Description
1	WP10516603	CUP 2ltr
2	WP05101617	O-RING
3	WP01901623	COVER CAP
4	WP01901622	FILTER COVER
5	WP05101615	O-RING

Item	Part No.	Description
6	WP01101606	LID
7	WP05101602	O-RING
8	WP07705601	DRAIN BOLT
9	WP06601009	CONNECTOR (DOUBLE THREAD)
10	WP05101639	O-RING

NOTE: It is our policy to continually improve products and as such we reserve the right to alter data, specifications and component parts without prior notice.

IMPORTANT: No liability is accepted for incorrect use of product.

WARRANTY: Guarantee is 12 months from purchase date, proof of which will be required for any claim.

Sealey Group, Kempson Way, Suffolk Business Park, Bury St Edmunds, Suffolk. IP32 7AR



01284 757500



01284 703534



sales@sealey.co.uk



www.sealey.co.uk