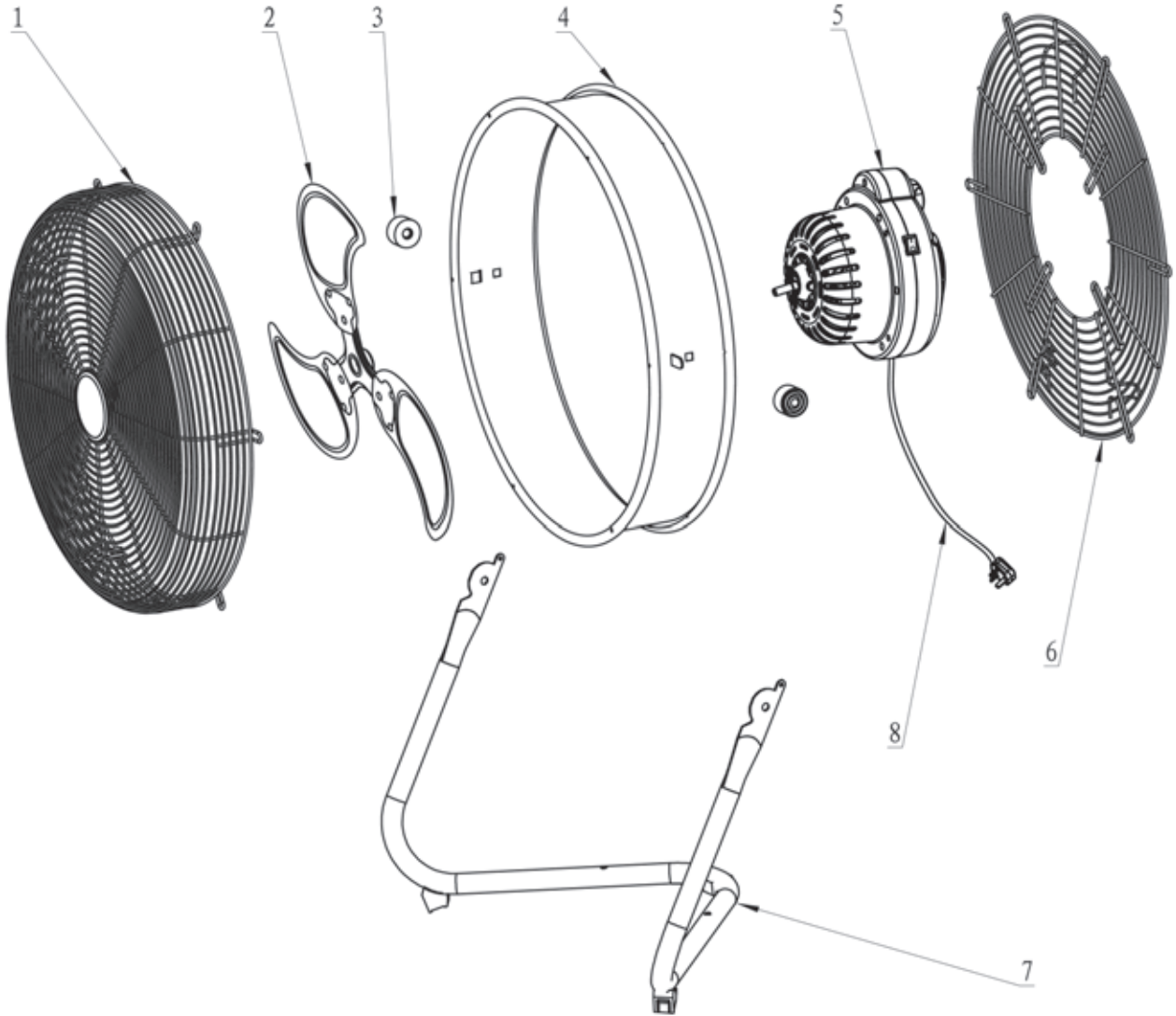


Parts Information:
**Industrial High Velocity Floor Fan with
 Internal Oscillation 18"**
Model No: HVF18IS



Item	Part No.	Description
1	HVF18IS.01	FRONT GUARD
2	HVF18IS.02	BLADE
3	HVF18IS.03	RUBBER SUPPORT
4	HVF18IS.04	DRUM BODY
5	HVF18IS.05	MOTOR

Item	Part No.	Description
6	HVF18IS.06	REAR GUARD
7	HVF18IS.07	BRACKET
8	HVF18IS.08	POWER CORD (WITH PLUG)
--	HVF18IS.FK	FIXING KIT (not shown)

NOTE: It is our policy to continually improve products and as such we reserve the right to alter data, specifications and component parts without prior notice.

IMPORTANT: No liability is accepted for incorrect use of product.

WARRANTY: Guarantee is 12 months from purchase date, proof of which will be required for any claim.