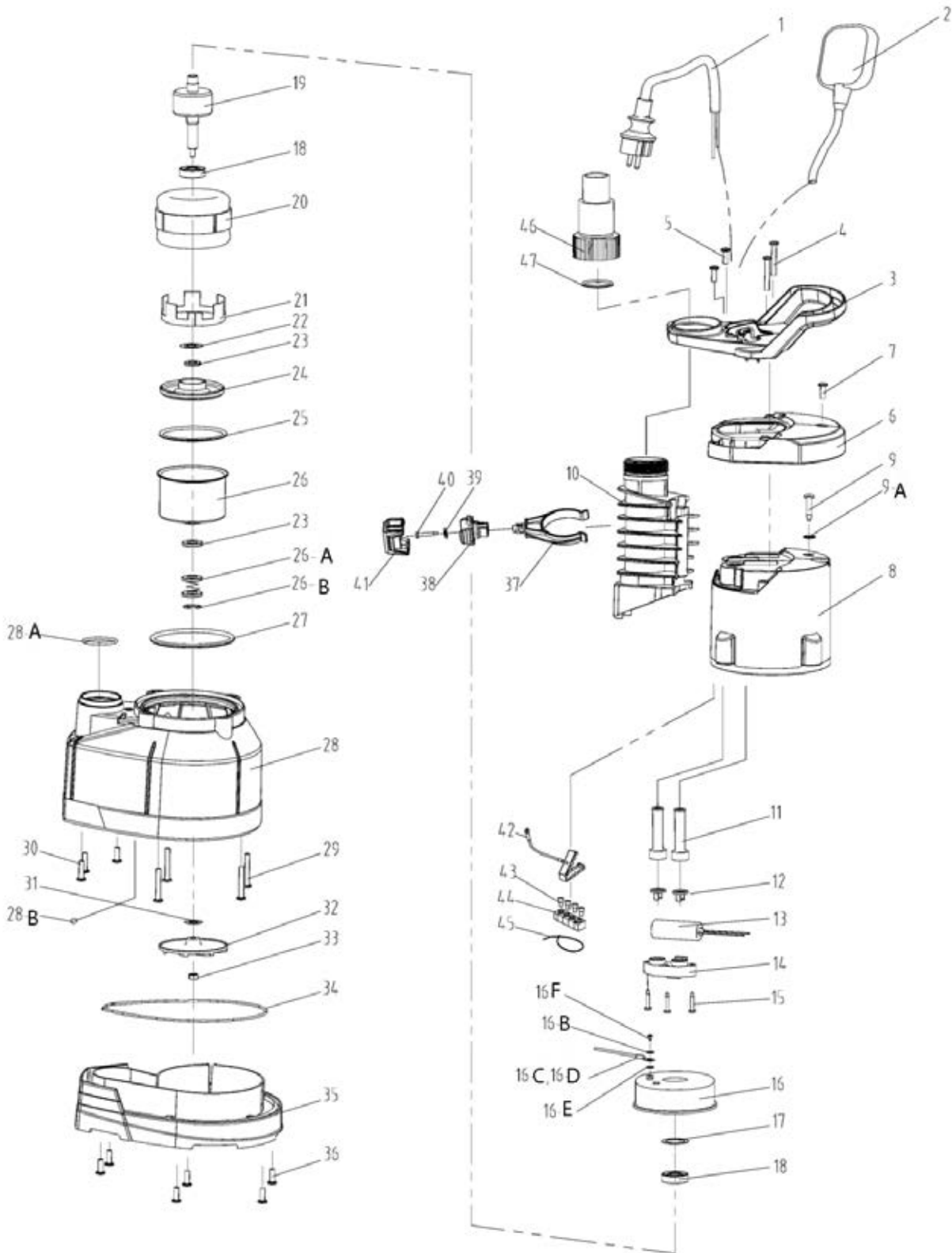




Parts Information:  
Submersible Water Pump Automatic 183ltr/  
min 230V  
Model No: WPC150P



**NOTE:** It is our policy to continually improve products and as such we reserve the right to alter data, specifications and component parts without prior notice.

**IMPORTANT:** No liability is accepted for incorrect use of product.

**WARRANTY:** Guarantee is 12 months from purchase date, proof of which will be required for any claim.

Sealey Group, Kempson Way, Suffolk Business Park, Bury St Edmunds, Suffolk. IP32 7AR



01284 757500



01284 703534



sales@sealey.co.uk



www.sealey.co.uk



Parts Information:  
**Submersible Water Pump Automatic 183ltr/  
min 230V**  
**Model No: WPC150P**

Item	Part No.	Description
1	WP08701001	POWER CABLE
2	WP014010011	FLOAT SWITCH
3	WP00202042	HANDLE
4	WP845I	SELF TAPPING SCREW ST4.2x32
5	WP845H	SELF TAPPING SCREW ST4.2x18
6	WP01101018	COVER PLATE
7	WP845H	SELF TAPPING SCREW ST4.2x18
8	WP00301035	REAR PUMP CASING
9	WP07802021	SCREW
9A	WP05101079	O RING
10	WP02703001	OUTPUT CONNECTOR
11	WP05201033	CABLE SHEATH
--	WP05201036	CABLE SHEATH
12	WP05602005	CABLE BUCKLE
--	WP05602008	CABLE BUCKLE
13	WP08401025	4uF CAPACITOR
14	WP05501001	CABLE GRIP
15	WP07802018	SELF-TAPPING SCREW
16	WP02602004	ALUMINUM REAR COVER
--	WP05202003	WIRE SHEATH
16B	WP934	SPRING WASHER
16C	WP08601001	WIRE (YELLOW/GREEN)
16D	WP04102027	PLATE
16E	WP86224	WASHER
16F	WP818	SCREW M4X8
17	WP03801001	WAVE WASHER
18	B/6201ZZ	BEARING 6201ZZ
19	WP02301006	ROTOR
20	WP02202048	STATOR
21	WP02005011	BUSHING
22	WP03802023	WASHER

Item	Part No.	Description
23	WP05102002	SEALING RING
24	WP04204001	ALUMINUM BUSHING
25	WP05101052	O-RING
26	WP02501054	FRONT COVER
26A	WP06101007	MECHANICAL SEAL
26B	WP894112	CHECKED RING
27	WP05101010	O-RING
28	WP00403062	MAIN PUMP CASING
28A	WP05101007	O RING
28B	WP3087	STEEL BALL
29	WP845L	SELF TAPPING SCREW ST4.2x50
30	WP845H	SELF TAPPING SCREW ST4.2x18
31	WP03802005	ADJUSTING GASKET
32	WP00904003	IMPELLER
33	SN8.S	STEEL NUT M8 ZINC DIN934 (SINGLE)
34	WP05101107	O RING
35	WP00601058	BASE
36	WP845M	SELF TAPPING SCREW ST4.2x24
37	WP01205004	CLIP
38	WP01202015	RIGHT CLIP
39	WP96420	WASHER
40	WP845N	SELF TAPPING SCREW ST3.5x12
41	WP01202014	LEFT CLIP
42	WP04105011	COVER
43	WP04101001	NYLON SAFETY PRESS LINE CAP
--	WP04101003	NYLON SAFETY PRESS LINE CAP
44	WP03203012	RUBBER CLIP
45	WP08501001	CABLE TIE
46	WP02703024	OUTPUT CONNECTOR
47	WP05101006	O-RING

**NOTE:** It is our policy to continually improve products and as such we reserve the right to alter data, specifications and component parts without prior notice.

**IMPORTANT:** No liability is accepted for incorrect use of product.

**WARRANTY:** Guarantee is 12 months from purchase date, proof of which will be required for any claim.

**Sealey Group**, Kempson Way, Suffolk Business Park, Bury St Edmunds, Suffolk. IP32 7AR



01284 757500



01284 703534



sales@sealey.co.uk



www.sealey.co.uk