



INSTRUCTIONS FOR

OSCILLATING MULTI-TOOL 300W/230V

QUICK CHANGE

MODEL NO: **SMT300Q**

Thank you for purchasing a Sealey product. Manufactured to a high standard, this product will, if used according to these instructions, and properly maintained, give you years of trouble free performance.

IMPORTANT: PLEASE READ THESE INSTRUCTIONS CAREFULLY. NOTE THE SAFE OPERATIONAL REQUIREMENTS, WARNINGS & CAUTIONS. USE THE PRODUCT CORRECTLY AND WITH CARE FOR THE PURPOSE FOR WHICH IT IS INTENDED. FAILURE TO DO SO MAY CAUSE DAMAGE AND/OR PERSONAL INJURY AND WILL INVALIDATE THE WARRANTY. KEEP THESE INSTRUCTIONS SAFE FOR FUTURE USE.



Refer to
Instruction
Manual



Wear ear
Protection



Wear eye
Protection



Wear
Protective
gloves



Wear
Respiratory
Protection

1. SAFETY

1.1. ELECTRICAL SAFETY

- ❑ **WARNING!** It is the user's responsibility to check the following:
Check all electrical equipment and appliances to ensure that they are safe before using. Inspect power supply leads, plugs and all electrical connections for wear and damage. Sealey recommend that an RCD (Residual Current Device) is used with all electrical products. You may obtain an RCD by contacting your local Sealey dealer.

if the multi-tool is used in the course of business duties, it must be maintained in a safe condition and routinely PAT (Portable Appliance Test) tested.

Electrical safety information. It is important that the following information is read and understood.

- 1.1.1. Ensure that the insulation on all cables and on the appliance is safe before connecting it to the power supply.
- 1.1.2. Regularly inspect power supply cables and plugs for wear or damage and check all connections to ensure that they are secure.
- 1.1.3. **Important:** Ensure that the voltage rating on the appliance suits the power supply to be used and that the plug is fitted with the correct fuse - see fuse rating in these instructions.
 - ✗ **DO NOT** pull or carry the appliance by the power cable.
 - ✗ **DO NOT** pull the plug from the socket by the cable. Remove the plug from the socket by maintaining a firm grip on the plug.
 - ✗ **DO NOT** use worn or damaged cables, plugs or connectors. Ensure that any faulty item is repaired or replaced immediately by a qualified electrician.

- 1.1.4. This product is fitted with a BS1363/A 13 Amp 3 pin plug.

If the cable or plug is damaged during use, switch the electricity supply and remove from use.

Replace a damaged plug with a BS1363/A 13 Amp 3 pin plug. If in doubt contact a qualified electrician.

Class II products are wired with live (brown) and neutral (blue) only are marked with the Class II symbol;

A) Connect the BROWN live wire to the live terminal 'L'.

B) Connect the BLUE neutral wire to the neutral terminal 'N'.

C) After wiring, check that there are no bare wires and ensure that all wires have been correctly connected.

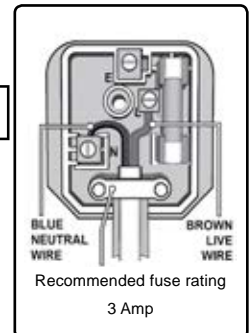
Ensure that the cable outer sheath extends inside the cable restraint and that the restraint is tight.

DO NOT connect either wire to the earth terminal.

Sealey recommend that repairs are carried out by a qualified electrician.

1.2. GENERAL SAFETY

- ✓ Only power the tool from the mains supply.
- ✓ Disconnect the tool from the mains supply before changing accessories, servicing or performing any maintenance. Maintain tool and accessories in good condition. Check moving parts and alignment. If necessary use an authorised service agent.
- ✓ Replace or repair damaged parts using recommended parts. Unauthorised parts may be dangerous and will invalidate the warranty.
- ✓ Wear approved safety goggles and a dust mask if generating dust.
- ✓ Remove ill fitting clothing. Remove ties, watches, rings and other loose jewellery and contain long hair.
- ✓ Use the tool in a suitable work area. Keep area clean and tidy and free from unrelated materials and ensure that there is adequate lighting.
- ✓ Prevent body contact with earthed surfaces to avoid electric shock e.g. pipes, radiators, refrigerators etc.
- ✓ Maintain correct balance and footing.
- ✓ Keep children and unauthorised persons away from the work area.
- ✓ Secure unstable work piece with a clamp, vice or other adequate holding device.
- ✓ Avoid unintentional starting. Keep the tool clean for best and safest performance.
- ✓ When not in use switch tool off and unplug it from the mains supply. Store it in the case and put in a dry, childproof area.
- ✗ **DO NOT** over-reach. Ensure the floor is not slippery and wear non-slip shoes.
- ✗ **DO NOT** use the tool for a task it is not designed to perform.
- ✗ **DO NOT** operate tool where there are flammable liquids or gases.
- ✗ **DO NOT** get the tool wet or use in damp or wet locations.
- ✗ **DO NOT** carry the tool by the cable.
- ✗ **DO NOT** hold unsecured work in your hand.
- ✗ **DO NOT** leave the tool running unattended.
- ✗ **DO NOT** operate the tool if any parts are missing or damaged as this may cause failure and/or personal injury.



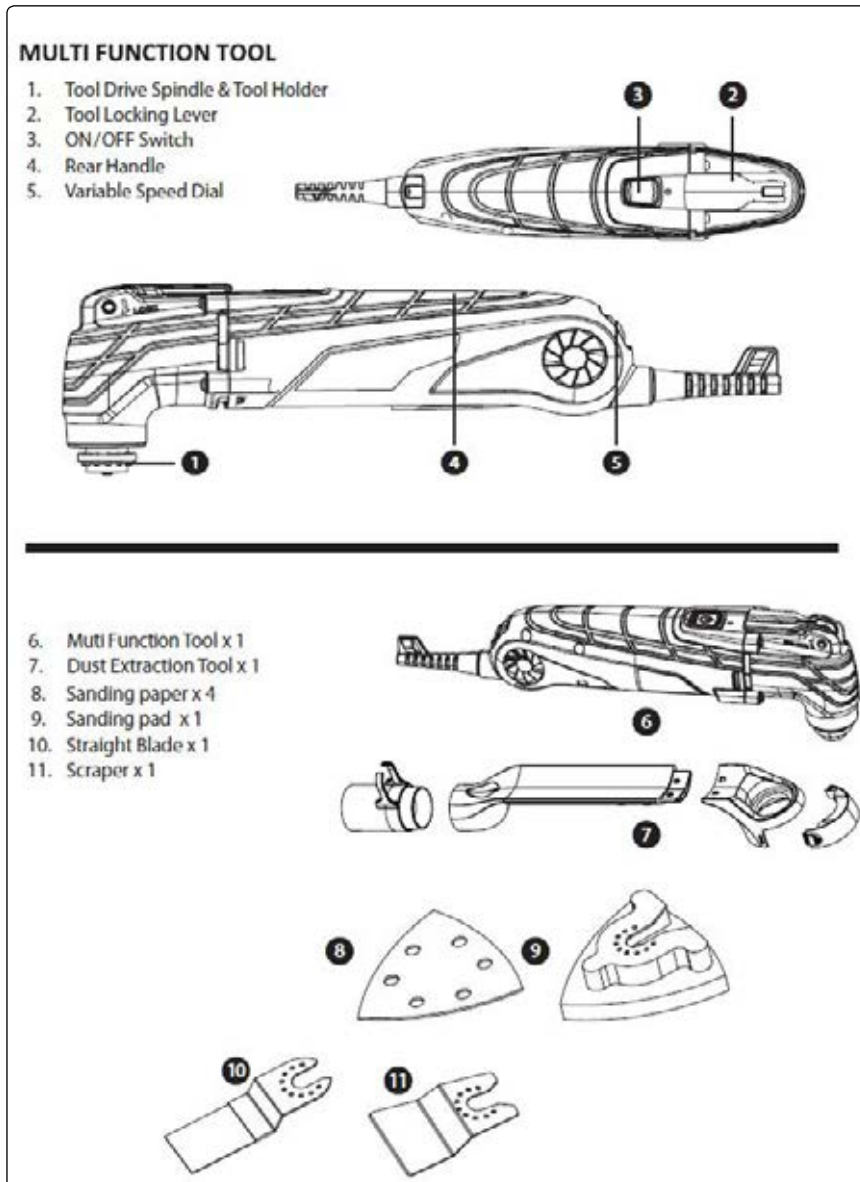
- * **DO NOT** operate the tool when you are tired or under the influence of alcohol, drugs or intoxicating medication. This tool is not intended for use by persons (including children) with reduced physical, sensory or mental capabilities, or lack of experience and knowledge, unless they have been given supervision or instruction concerning use of the appliance by a person responsible for their safety.

2. INTRODUCTION

One tool suitable for multiple tasks such as sanding, scraping and cutting various materials. Variable speed with 300W motor and sealed bearings. Quick release lever makes changing blades fast and simple, without the need of additional tools. Includes 4 sanding discs, backing pad, cutting blade and scraper blade, all supplied in a convenient storage case. Supplied with removable dust extraction pipe for cleaner sanding applications. Full range of additional quick change accessories available.

3. SPECIFICATION

Model no: **SMT300Q**
 Motor power: 300W
 Supply: 230V-240V-50Hz
 No load speed: 15000-21000rpm
 Weight: 1.48kg
 Noise power: 91dB(A)
 Noise pressure: 80dB(A)
 Vibration: 2.941m/s²
 Uncertainty: 1.5m/s²
 Accessories: 1 x cutting blade, 1 x scraper blade, 4 x sanding pads

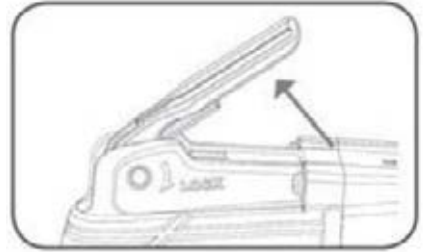


4. OPERATION

- ❑ **WARNING!** Disconnect from mains supply before fitting/changing accessories.

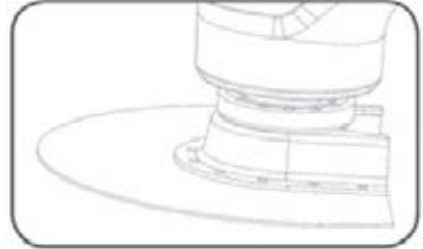
4.1. Set up - Accessory Fitting

- 4.1.1. Raise the accessory locking lever until the flange lowers.



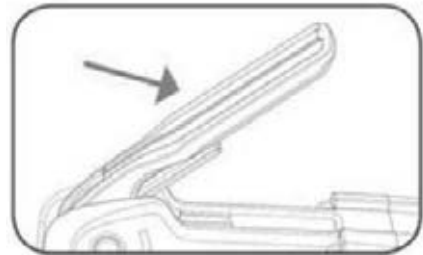
- 4.1.2. Place accessory over the drive spindle and position to suit angle needed for that application.

Note: Ensure that the accessory is sitting flat on spindle and locking pins.



- 4.1.3. Lock the accessory lever to secure the accessory.

Note: Follow this procedure in reverse to remove accessories.

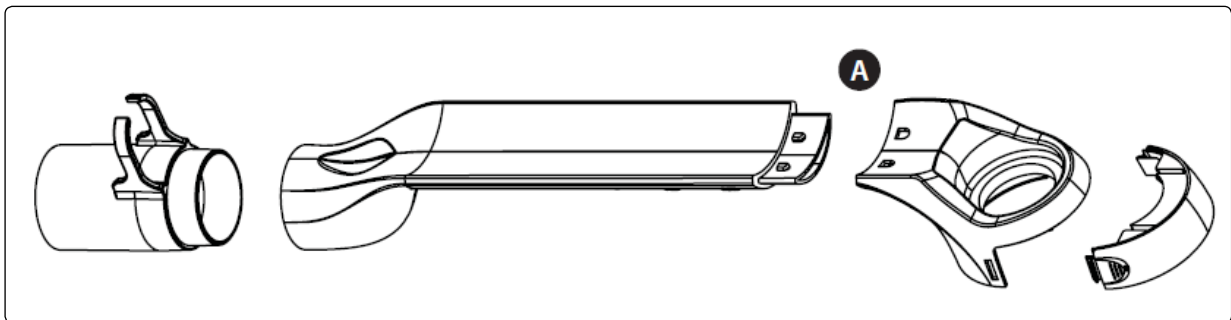


4.2. Set up - Connecting a Vacuum Dust Extraction Device

- 4.2.1. Slide together the dust extraction duct and ring connection (A).

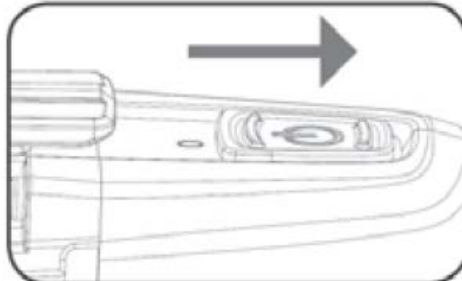
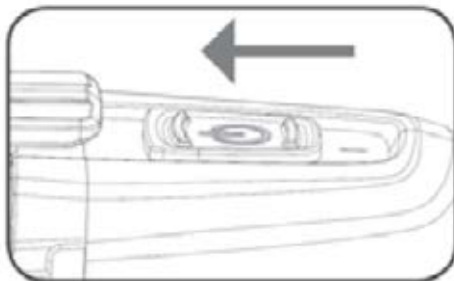
- 4.2.2. Secure by hooking the case mounting into the vent slots.

- 4.2.3. Push the hose of an approved dust extraction equipment (e.g. a workshop vacuum cleaner) onto the adaptor for external exhaust extraction.



4.3. Controls - On/Off Switch

- 4.3.1. To turn on, slide the On/Off switch forward.



- 4.3.2. To turn off, slide the switch backwards.

4.4. Variable Speed

- 4.4.1. For the different accessory applications you will need to select the appropriate speed for the task.

- 4.4.2. Turn on the multi-tool.

- 4.4.3. Scroll the speed dial to select the appropriate one.

Note: The higher the number on the speed dial the faster the oscillation of the multi-tool.

4.5. Sanding

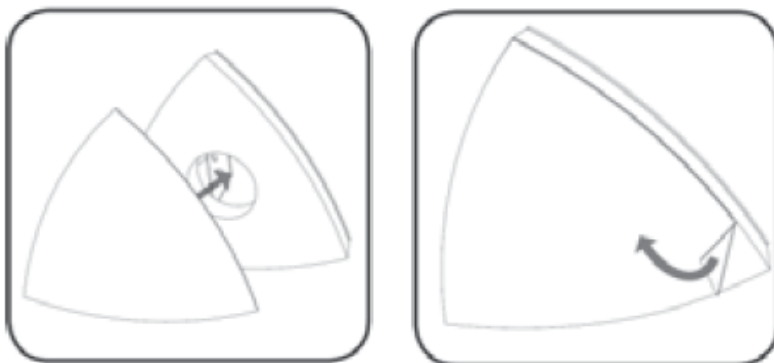
- 4.5.1. Turn multi-tool on and select appropriate speed.

- 4.5.2. Place the multi-tool flat on the work piece.

Note: **DO NOT** apply heavy pressure to the tool or tilt the sanding base as this will wear out the sanding paper and may damage the pad.

4.6. Changing Sanding Paper

4.6.2.1. Align paper to pad and press firmly to attach.

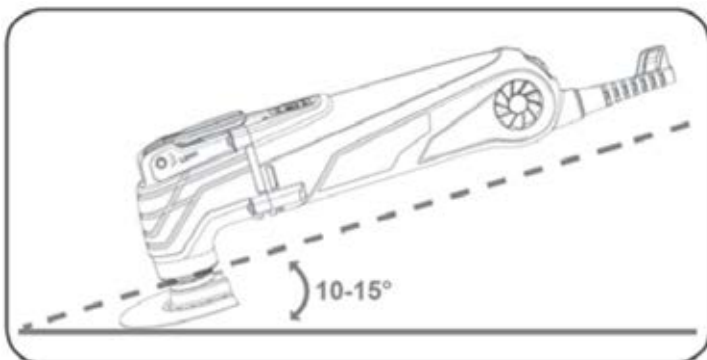


4.6.2.2. Peel paper pad off from one of the corners.

4.7. Scraping

4.7.1. Turn multi-tool on and select appropriate speed.

4.7.2. Place tool on the work piece at an angle of approximately 10-15°.



4.7.3. Allow the scraper to do the work, do not apply heavy pressure to the tool, this may cause the tool to overload or cut into the surface of the work piece.

5. MAINTENANCE

- WARNING!** Switch off and disconnect tool from the mains supply before performing maintenance.
- 5.1. Inspect tool before each use. Check for loose screws, misalignment of moving parts, broken components and damaged electrical wiring.
- 5.2. Remove dust and debris from accessories before installation. Check to ensure that accessories are in good condition.
- 5.3. After use, clean the tool with a dry cloth. Remove dust and debris from all surface areas and vents. **DO NOT** use liquid or solvent cleaners that may enter the tool or damage the plastic housing.
- 5.4. If the tool needs to be repaired use a qualified technician.
- 5.5. Store the tool in its case in a dry, childproof location.

Parts support is available for this product. To obtain a parts listing and/or diagram, please log on to www.sealey.co.uk, email sales@sealey.co.uk or telephone 01284 757500.



Environmental Protection

Recycle unwanted materials instead of disposing of them as waste. All tools, accessories and packaging should be sorted, taken to a recycling centre and disposed of in a manner which is compatible with the environment. When the product becomes completely unserviceable and requires disposal, drain off any fluids (if applicable) into approved containers and dispose of the product and the fluids according to local regulations.

WEEE Regulations

Dispose of this product at the end of its working life in compliance with the EU Directive on Waste Electrical and Electronic Equipment (WEEE). When the product is no longer required, it must be disposed of in an environmentally protective way. Contact your local solid waste authority for recycling information.

NOTE: It is our policy to continually improve products and as such we reserve the right to alter data, specifications and component parts without prior notice.

IMPORTANT: No liability is accepted for incorrect use of this product.

WARRANTY: Guarantee is 12 months from purchase date, proof of which will be required for any claim.



Sole UK Distributor, Sealey Group.
Kempson Way, Suffolk Business Park,
Bury St. Edmunds, Suffolk.
IP32 7AR



01284 757500



01284 703534



www.sealey.co.uk



sales@sealey.co.uk

WARNING! – Risk of Hand Arm Vibration Injury.

This tool may cause Hand Arm Vibration Syndrome if its use is not managed adequately.

This tool is subject to the vibration testing section of the Machinery Directive 2006/42/EC.

This tool is to be operated in accordance with these instructions.

Measured vibration emission value (a):2.941 m/s²

Uncertainty value (k):1.5 m/s²

Please note that the application of the tool to a sole specialist task may produce a different average vibration emission. We recommend that a specific evaluation of the vibration emission is conducted prior to commencing with a specialist task.

A health and safety assessment by the user (or employer) will need to be carried out to determine the suitable duration of use for each tool.

NB: Stated Vibration Emission values are type-test values and are intended to be typical.

Whilst in use, the actual value will vary considerably from and depend on many factors.

Such factors include; the operator, the task and the inserted tool or consumable.

NB: ensure that the length of leader hoses is sufficient to allow unrestricted use, as this also helps to reduce vibration.

The state of maintenance of the tool itself is also an important factor, a poorly maintained tool will also increase the risk of Hand Arm Vibration Syndrome.

Health surveillance.

We recommend a programme of health surveillance to detect early symptoms of vibration injury so that management procedures can be modified accordingly.

Personal protective equipment.

We are not aware of any personal protective equipment (PPE) that provides protection against vibration injury that may result from the uncontrolled use of this tool. We recommend a sufficient supply of clothing (including gloves) to enable the operator to remain warm and dry and maintain good blood circulation in fingers etc. Please note that the most effective protection is prevention, please refer to the Correct Use and Maintenance section in these instructions. Guidance relating to the management of hand arm vibration can be found on the HSC website www.hse.gov.uk - Hand-Arm Vibration at Work.