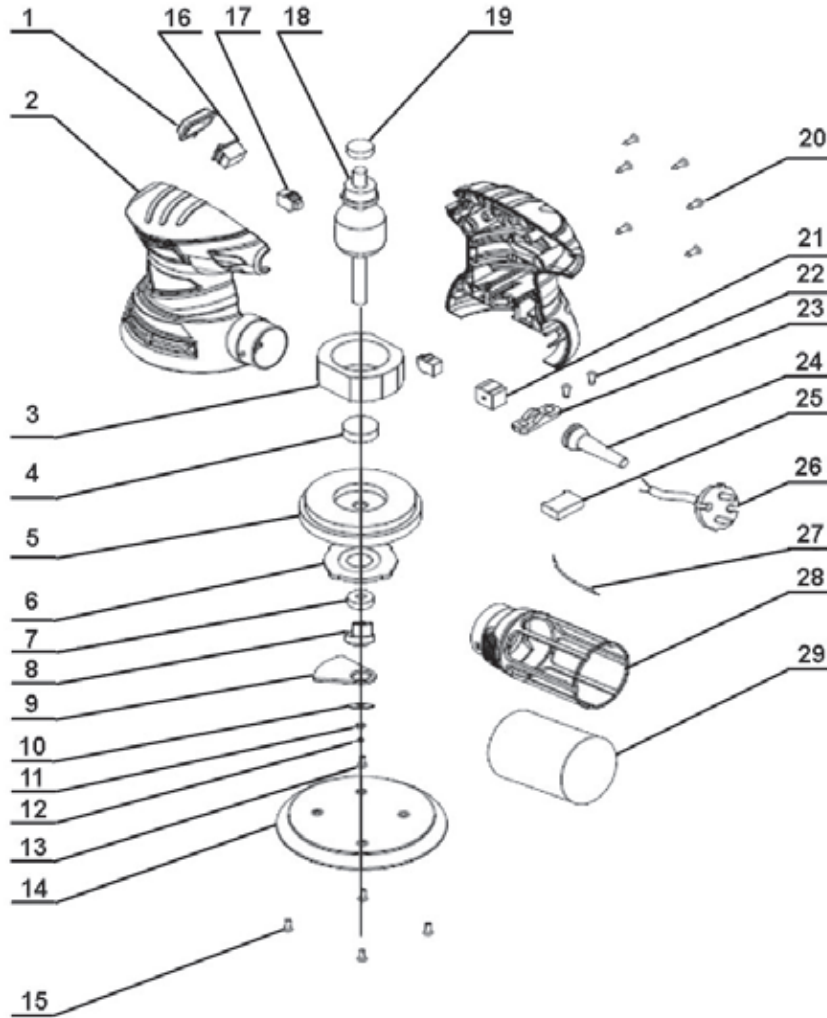


Parts Information:  
**Dual Action Palm Sander Ø125mm**  
**240W/230V**  
**Model No: S0125**



Item	Part No.	Description
1	S0125.01	Switch Cover
2	S0125.02	Housing Complete
3	S0125.03	Stator
4	S0125.04	Bearing
5	S0125.05	Plastic Fan
6	S0125.06	Bearing Block
7	S0125.07	Bearing
8	S0125.08	Shaft
9	S0125.09	Balance Block
10	S0125.10	Washer
11	S0125.11	Washer
12	S0125.12	Spring
13	S0125.13	Screw
14	S0125.14	Backing Pad 125mm dia.
15	S0125.15	Screw

Item	Part No.	Description
16	S0125.16	Switch
17	S0125.17	Carbon Brush Ass'y
18	S0125.18	Rotor
19	S0125.19	Bearing
20	S0125.20	Housing Screw
21	S0125.21	Terminal
22	S0125.22	Screw
23	S0125.23	Cord Grip
24	S0125.24	Cord Sleeve
25	S0125.25	Capacitor
26	S0125.26	Power Cord & Plug
27	S0125.27	Wire
28	S0125.28	Dust Bag Support
29	S0125.29	Dust Bag

**NOTE:** It is our policy to continually improve products and as such we reserve the right to alter data, specifications and component parts without prior notice.

**IMPORTANT:** No liability is accepted for incorrect use of product.

**WARRANTY:** Guarantee is 12 months from purchase date, proof of which will be required for any claim.