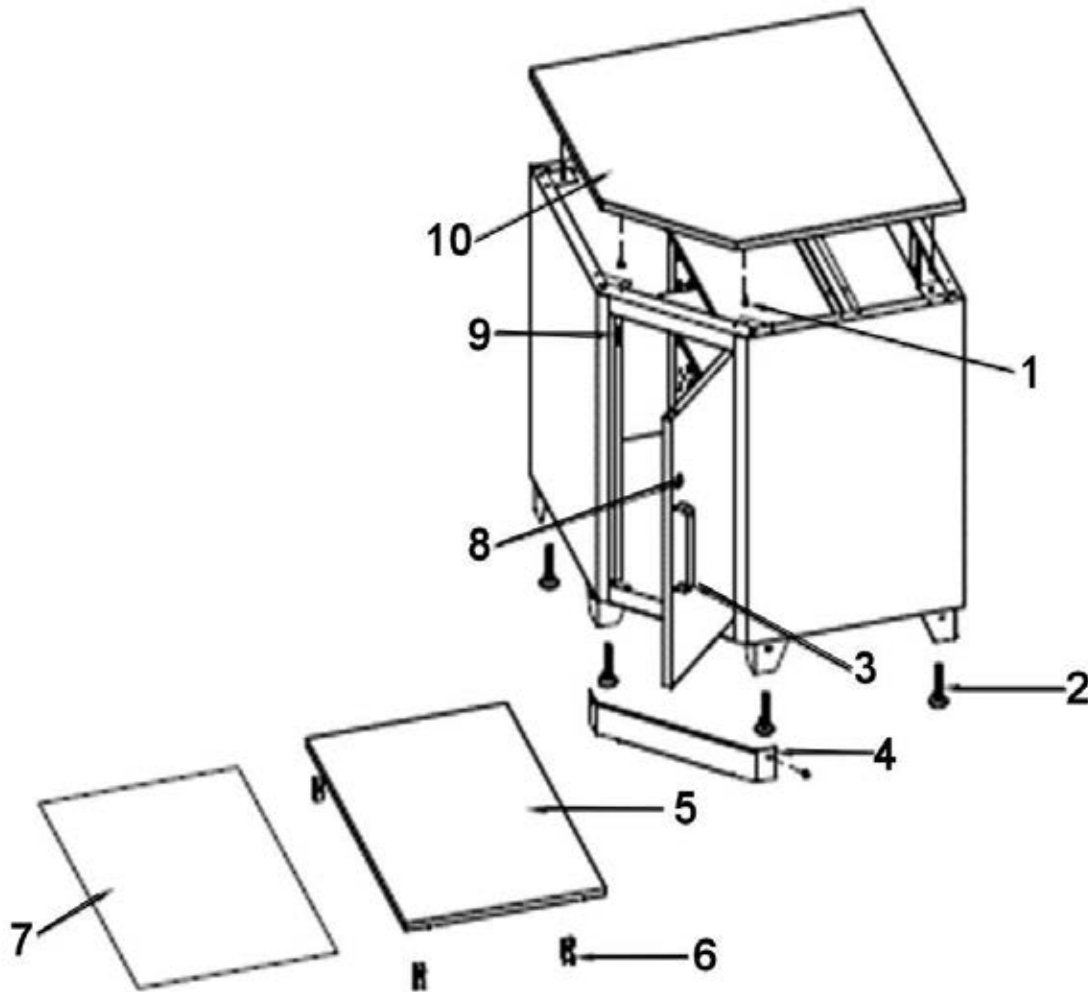


Parts Information:  
**Modular Corner Floor Cabinet 930mm**  
**Heavy-Duty**  
**Model No: APMS15**



Item	Part No.	Description
1	APMS-320122	Bolt, Hex Flange M4.8 x 25
2	APMS-313004	Adjustable Foot
3	APMS-301650	Handle
4	APMS-233929	Skirting Board
5	APMS-233926	Shelf 580x390x35
6	APMS-226078	Support, Shelf
7	APMS-551770	Shelf Liner 900x560
8	PTB-304007	Lock And Key (Number 1201)
--	PTB-304007A	Lock And Key (Number 1202)

Item	Part No.	Description
--	PTB-304007B	Lock And Key (Number 1203)
--	PTB-304007C	Lock And Key (Number 1204)
9	APMS-312033	Door Magnet
10	APMS-571434	Work Top (use either APMS18 or APMS19)
--	APMS18	Oak Corner Worktop 930mm
--	APMS19	Stainless Steel Corner Worktop 930mm
--	PTB-310157	Sealey Zinc Badge ( <b>not shown</b> )
--	PTB-310158	Premier Zinc Badge ( <b>not shown</b> )
--	APMS-116267	Door (c/w Handle, Lock & Key)

**NOTE:** It is our policy to continually improve products and as such we reserve the right to alter data, specifications and component parts without prior notice. There may be alternative versions of this product, please contact us should you require this information.

**IMPORTANT:** No liability is accepted for incorrect use of product. Spare parts must be fitted by a competent person

**WARRANTY:** Guarantee is 12 months from purchase date, proof of which will be required for any claim.