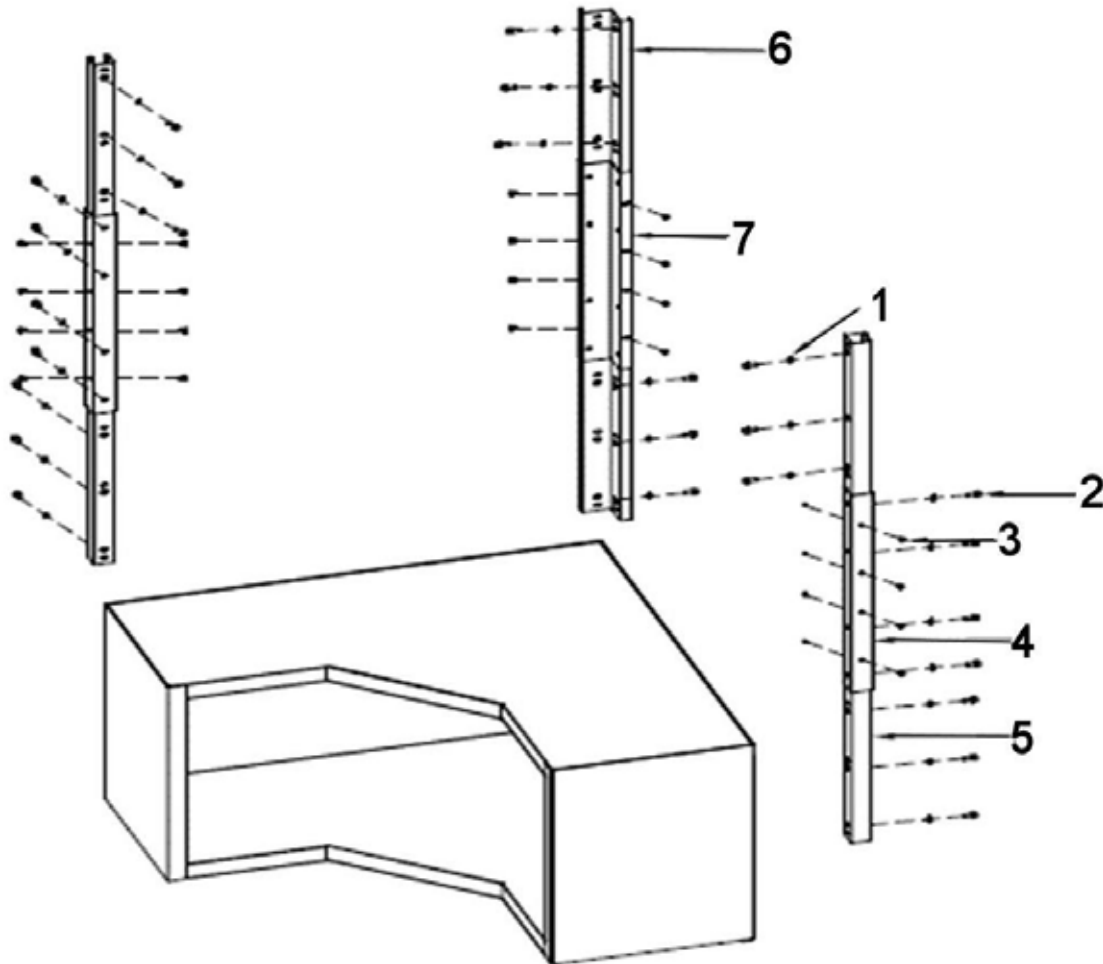




Parts Information:  
**Modular Corner Wall Cabinet 930mm**  
**Heavy-Duty**  
**Model No: APMS16**



Item	Part No.	Description
1	FWM8.S	Flat Washer M8 Zinc
2	SCB820.S	Socket Cap Bolt Zinc M8x20
3	MSP612.SB	Machine Screw Pan Head Phillips M6x12mm Black
4	APMS-224571	Upright Post (A) (Middle Section)

Item	Part No.	Description
5	APMS-110231	Post, End Part (Top or Bottom)
6	APMS-116066	Upright Post (C)
7	APMS-233591	Upright Post (D)
--	PTB-310157	Sealey Zinc Badge ( <b>not shown</b> )
--	PTB-310158	Premier Zinc Badge ( <b>not shown</b> )

**NOTE:** It is our policy to continually improve products and as such we reserve the right to alter data, specifications and component parts without prior notice. There may be alternative versions of this product, please contact us should you require this information.

**IMPORTANT:** No liability is accepted for incorrect use of product. Spare parts must be fitted by a competent person

**WARRANTY:** Guarantee is 12 months from purchase date, proof of which will be required for any claim.

**Sealey Group**, Kempson Way, Suffolk Business Park, Bury St Edmunds, Suffolk. IP32 7AR



01284 757500



01284 703534



sales@sealey.co.uk



www.sealey.co.uk