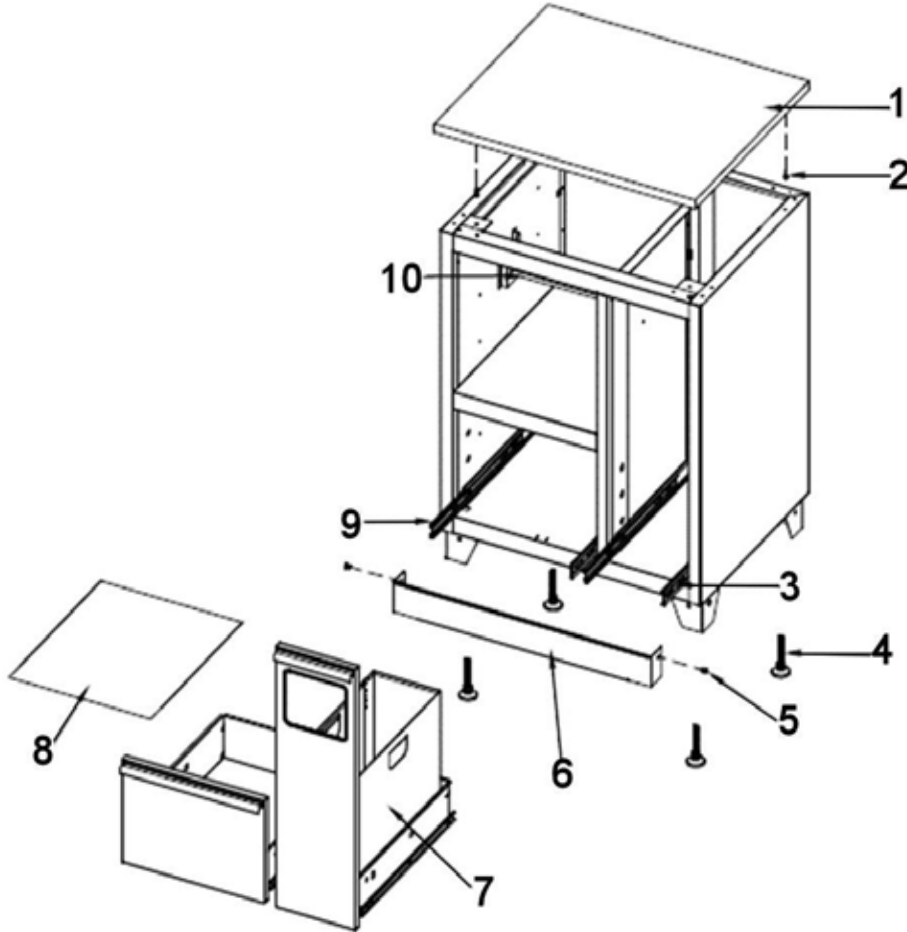


Parts Information:
Modular Floor Cabinet Multifunction
775mm Heavy-Duty
Model No: APMS20



| Item | Part No. | Description |
|------|-------------|--------------------------------|
| 1 | APMS06 | OAK WORKTOP 775mm |
| 2 | APMS-320122 | BOLT, HEX FLANGE M4.8x25 |
| 3 | APMS-300324 | SLIDE (RIGHT) |
| 4 | APMS-313004 | ADJUSTABLE FOOT |
| 5 | APMS-320323 | SCREW, PHILLIPS PAN HEAD M6x12 |
| 6 | APMS-221809 | CABINET SUPPORT |

| Item | Part No. | Description |
|------|-------------|--------------------------------|
| 7 | APMS-116264 | RUBBISH BIN |
| 8 | APMS-551785 | DRAWER LINER |
| 9 | APMS-300323 | SLIDE (LEFT) |
| 10 | APMS-233917 | INSIDE HANDLE TUBE |
| -- | PTB-310157 | PREMIER ZINC BADGE (NOT SHOWN) |
| -- | PTB-310158 | SEALEY ZINC BADGE (NOT SHOWN) |

NOTE: It is our policy to continually improve products and as such we reserve the right to alter data, specifications and component parts without prior notice.

IMPORTANT: No liability is accepted for incorrect use of product.

WARRANTY: Guarantee is 12 months from purchase date, proof of which will be required for any claim.