



INSTRUCTIONS FOR

TOOLBOX - TOPCHEST, MID-BOX, ROLLCAB

MODEL NO: **AP223, AP225, AP226**

AP223B, AP225B, AP226B.

Thank you for purchasing a Sealey product. Manufactured to a high standard, this product will, if used according to these instructions, and properly maintained, give you years of trouble free performance.

IMPORTANT: PLEASE READ THESE INSTRUCTIONS CAREFULLY. NOTE THE SAFE OPERATIONAL REQUIREMENTS, WARNINGS & CAUTIONS. USE THE PRODUCT CORRECTLY AND WITH CARE FOR THE PURPOSE FOR WHICH IT IS INTENDED. FAILURE TO DO SO MAY CAUSE DAMAGE AND/OR PERSONAL INJURY AND WILL INVALIDATE THE WARRANTY. KEEP THESE INSTRUCTIONS SAFE FOR FUTURE USE.



Refer to instructions

1. SAFETY

- * **DO NOT** open more than one draw at a time.
- ✓ Close lid, lock draws before moving.
- * **DO NOT** stand on the tool boxes
- * **DO NOT** mount the tool box on a truck bed or any other moving object.
- ✓ Apply brakes on swivel casters when not moving unit.
- * **DO NOT** pull the tool box when moving, only push to move.
- * **DO NOT** stand inside the draws.

2. INTRODUCTION

Manufactured from double skin side walls for extra strength and finished in a smooth, hi-gloss triple baked enamel. Resists scratches, oil, dirt and most solvents. Topchests and mid-boxes feature 35mm ball bearing runners and recessed carry handles. Rollcabs feature 45mm ball bearing runners, side handle and four castors (two fixed and two locking) for mobility around the workshop, even when fully laden. Each drawer face has full length pulls with chrome style trims. All chests are supplied with tumbler type security locks and two numbered keys.

3. OPERATION

- 3.1. **Topchest.**
- 3.1.1. To lock the tool box. Make sure all draws are closed, close lid, turn key anti-clockwise.
- 3.1.2. To unlock the tool box. Turn key clockwise and pull open draw.
- 3.2. **Mid-Box / Rollcab.**
- 3.2.1. To lock the tool box. Make sure all draws are closed, turn key anti-clockwise.
- 3.2.2. To unlock the tool box. Turn key clockwise and pull open draw.
- * **DO NOT** slam the draws shut as damage may occur to the lock bar tabs or lock pockets.
- 3.3. **To remove Draws.**
- 3.3.1. Empty draw and pull out until it stops.
- 3.3.2. Release the black retaining clips by pushing the righthand side clip up and the left hand side down simultaneously, and pulling the draw out fig.1.
- 3.3.3. To re-install draws, place draw onto slides and push in.
- 3.4. **Castors and side handle.**
- 3.4.1. Roll cabinet is supplied with heavy duty castors, including two swivel castors. Fix as shown in fig.2.
- 3.4.2. The side handle must be fixed on the same side as the swivel castors, by inserting handle through slots in side of cabinet and fixing in place with the four set screws provided.

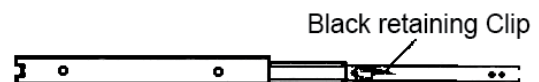


fig.1

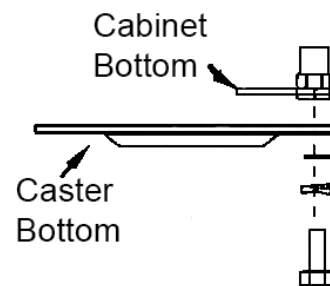


fig.2

4. MAINTENANCE

- 4.1. Lubricate the top and bottom channels of the drawer slides at least twice a year.
- 4.2. If the lock bar tabs or pockets get damaged remove draws and with pliers or a screwdriver straighten fig.3.

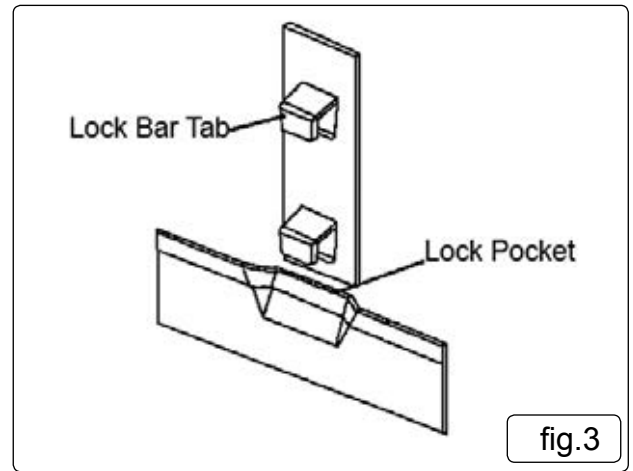


fig.3

Parts support is available for this product. To obtain a parts listing and/or diagram, please log on to www.sealey.co.uk, email sales@sealey.co.uk or telephone 01284 757500.



Environmental Protection

Recycle unwanted materials instead of disposing of them as waste. All tools, accessories and packaging should be sorted, taken to a recycling centre and disposed of in a manner which is compatible with the environment. When the product becomes completely unserviceable and requires disposal, drain off any fluids (if applicable) into approved containers and dispose of the product and the fluids according to local regulations.

NOTE: It is our policy to continually improve products and as such we reserve the right to alter data, specifications and component parts without prior notice.

IMPORTANT: No liability is accepted for incorrect use of this product.

WARRANTY: Guarantee is 12 months from purchase date, proof of which will be required for any claim.



Sole UK Distributor, Sealey Group.
Kempson Way, Suffolk Business Park,
Bury St. Edmunds, Suffolk.
IP32 7AR



01284 757500



01284 703534



www.sealey.co.uk



sales@sealey.co.uk