



INSTRUCTIONS FOR

AIR/HYDRAULIC NUT RIVETER HEAVY-DUTY VACUUM SYSTEM

MODEL NO: **SA317**

Thank you for purchasing a Sealey product. Manufactured to a high standard, this product will, if used according to these instructions, and properly maintained, give you years of trouble free performance.

IMPORTANT: PLEASE READ THESE INSTRUCTIONS CAREFULLY. NOTE THE SAFE OPERATIONAL REQUIREMENTS, WARNINGS & CAUTIONS. USE THE PRODUCT CORRECTLY AND WITH CARE FOR THE PURPOSE FOR WHICH IT IS INTENDED. FAILURE TO DO SO MAY CAUSE DAMAGE AND/OR PERSONAL INJURY AND WILL INVALIDATE THE WARRANTY. KEEP THESE INSTRUCTIONS SAFE FOR FUTURE USE.



Refer to instructions



Wear ear protection



Wear eye protection



Wear protective gloves

1. SAFETY

- WARNING!** Ensure health & safety, local authority, and general workshop practice regulations are adhered to when using this equipment.
- ✓ Familiarise yourself with this products application and limitations, as well as the specific potential hazards peculiar to the riveter.
- WARNING!** Disconnect the riveter from the air supply before changing accessories, servicing or performing any maintenance.
- ✓ Maintain the riveter in good condition (use an authorised service agent).
- ✓ Replace or repair damaged parts. *Use genuine parts only. Unauthorised parts may be dangerous and will invalidate the warranty.*
- ✓ Use in a suitable work area. Keep area free from unrelated materials and ensure that there is adequate lighting.
- ✓ Keep the riveter clean for best and safest performance.
- WARNING!** Always wear approved eye (or face) and hand protection when operating the riveter.
- ✓ Maintain correct balance and footing. **DO NOT** over reach, ensure the floor is not slippery, wear non slip shoes.
- ✓ Remove ill fitting clothing. Remove ties, watches, rings, and other loose jewellery and contain or tie back long hair.
- ✓ Wear appropriate protective clothing and keep hands and body clear or working parts.
- ✓ Keep the riveter away from your body and at a safe distance from others.
- ✓ Keep children and unauthorised persons away from the working area.
- ✓ Secure non stable work piece with a clamp, vice or other adequate holding device.
- WARNING!** ensure correct air pressure is maintained and not exceeded. Recommended pressure 100psi.
- ✓ Keep air hose away from heat, oil and sharp edges. Check air hose for wear before each use, and ensure that all connections are secure.
- ✗ **DO NOT** use the riveter for a task it is not designed to perform.
- ✗ **DO NOT** operate the riveter if any parts are damaged or missing as this may cause failure and/or personal injury.
- ✗ **DO NOT** carry the riveter by the hose, or yank the hose from the air supply.
- ✗ **DO NOT** get the riveter wet or use in damp/wet locations or areas where there is condensation.
- ✗ **DO NOT** allow untrained persons to operate the riveter.
- ✗ **DO NOT** operate the riveter when you are tired, under the influence of alcohol, drugs or intoxicating medication.
- ✗ **DO NOT** direct air from the air hose at yourself or others.
- ✓ When not in use disconnect from the air supply and store in a safe, dry, child proof location.
- ✓ Avoid unintentional starting.

2. INTRODUCTION

Heavy duty, suitable for all types of nut rivets. Supplied with seven mandrels, two spanners and oil syringe. Trigger operated with automatic wind release for fast application. Will handle heavy assembly work.

3. SPECIFICATION

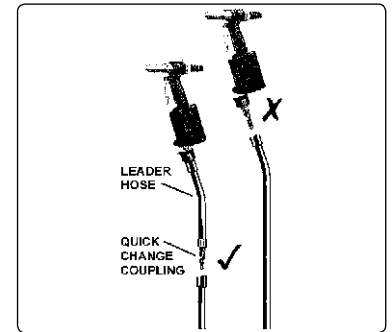
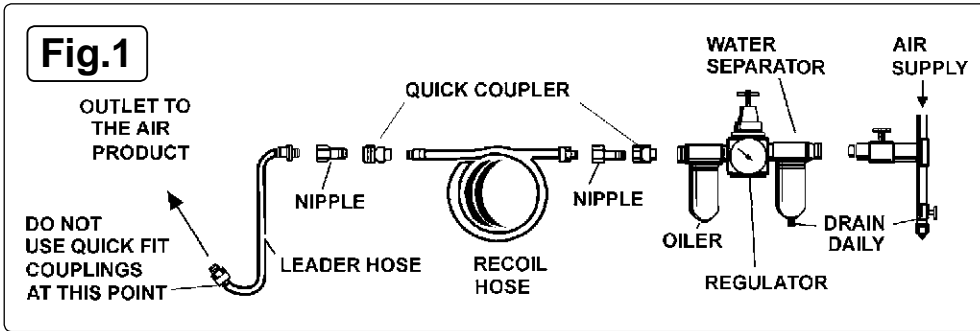
Model no: SA317
Mandrel size:.....M3, M4, M5, M6, M8, M10, M12
Air consumption: 4.5cfm
Operating pressure: 100psi
Air inlet size:..... 1/4" BSP
Weight:..... 2.6kg
Stroke range: 1-8mm
Noise power/pressure: 89dB(A)/78dB(A)

4. AIR SUPPLY

- WARNING!** Ensure the air supply is clean and does not exceed 100psi while operating the riveter. Too high an air pressure and unclean air will cause excessive wear, and may be dangerous, causing damage and/or personal injury.
- 4.1. Ensure the riveter air valve (or trigger) is not depressed before connecting to the air supply.
 - 4.2. You will require an air pressure between 70-100psi.
 - 4.3. Drain the compressor daily. Water in the air line will damage the riveter and invalidate your warranty.
 - 4.4. Clean air inlet filter weekly. Recommended hook-up procedure is shown in fig.1.
 - 4.5. Line pressure should be increased to compensate for unusually long air hoses (over 8 metres).
 - 4.6. The minimum hose diameter should be 1/4" I.D., fittings must have the same inside dimensions.
 - 4.7. Keep hose away from heat, oil and sharp edges. Check hoses for wear, and make certain that all connections are secure.

4.8. **Couplings**

Vibration may cause failure if a quick change coupling is connected directly to the air riveter. To overcome this, connect a leader hose - Sealey model number AH2R or AH2R/38 - to the riveter. A quick change coupling may then be used to connect the leader hose to the air line recoil hose. (See figs.1 & 2.)



5. PREPARATION FOR USE

Fig.2

5.1. **Mandrel Change**

- 5.1.1. Select from M3 to M12. Lock nuts are all the same size for mandrel and anvil.
- 5.1.2. Remove anvil and locknut, fig.3.

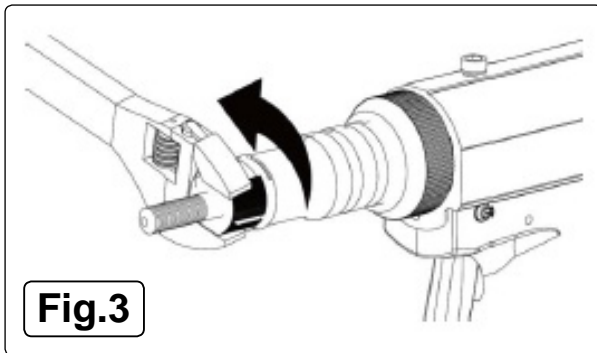


Fig.3

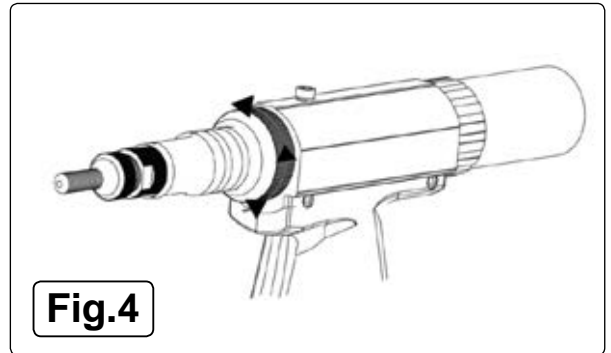


Fig.4

- 5.1.3. Unscrew knurled cover (anticlockwise) and nose pedestal, fig.4.
- 5.1.4. Push back the sliding sleeve and unscrew the mandrel, fig.5.

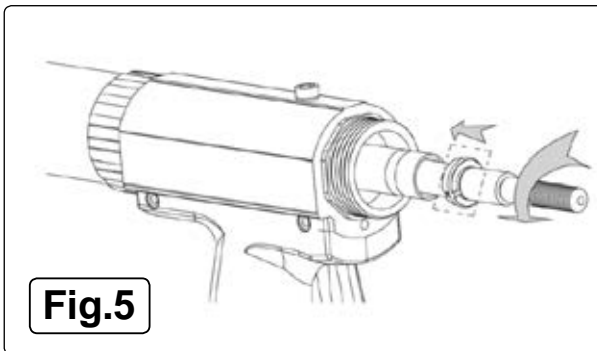


Fig.5

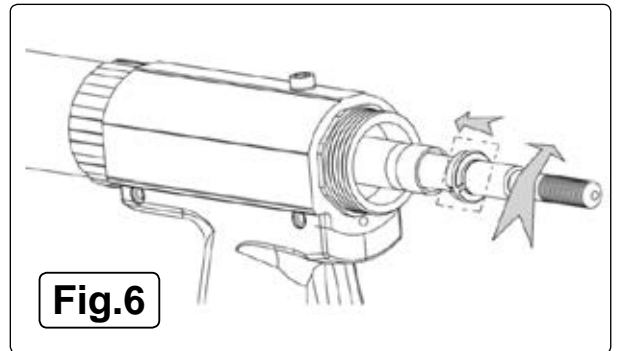


Fig.6

- 5.1.5. Select required mandrel as per rivet nut size, push back sliding sleeve and screw in selected mandrel then release sliding sleeve, fig.6.
- 5.1.6. Screw on knurled cover, nose pedestal, locknut and anvil.
- 5.2. **Mandrel protrusion setting for blind nut**
- 5.2.1. Set the length of the mandrel protruding out of the anvil, according to the blind rivet nut length. Undo the locknut and wind the anvil in or out as required. Re-tighten the locknut.

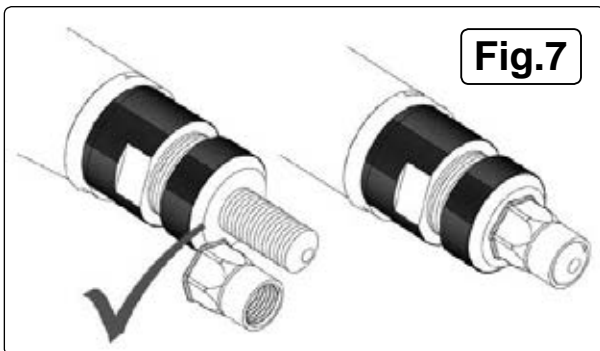


Fig.7

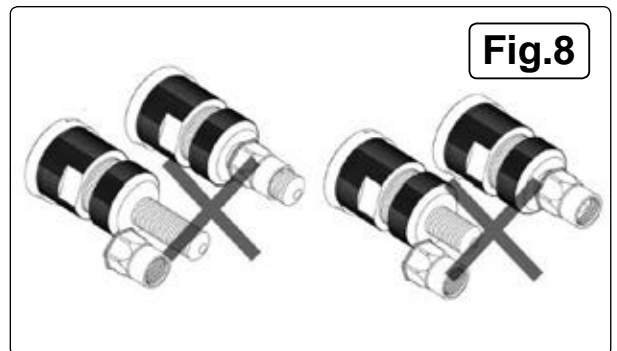
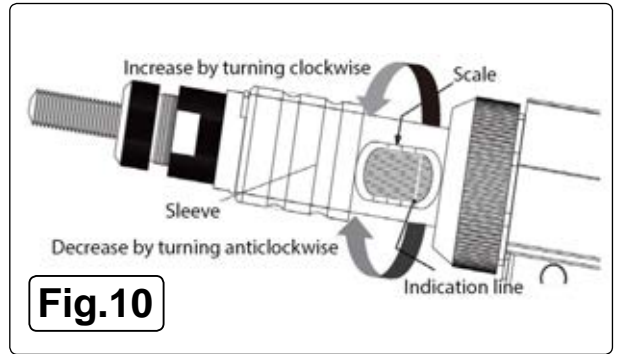
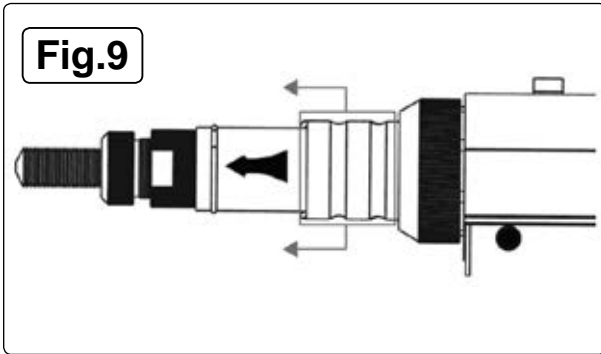


Fig.8

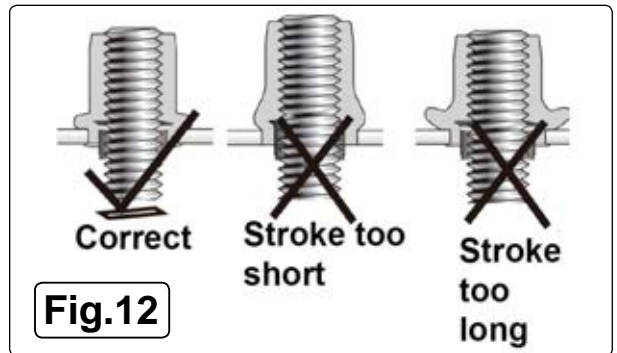
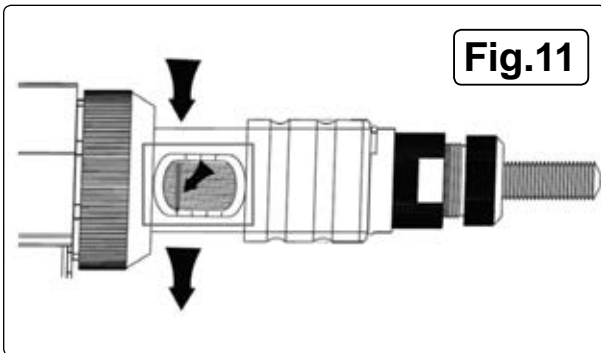
- 5.2.2. Never set the mandrel protruding length too long or too short according to the rivet nut to be set, fig.8.

5.3. **Stroke setting**

5.3.1. Tool stroke should be set according to the thickness of the work piece into which the rivet nut is to be set. The tool's stroke can be adjusted between 1mm and 8mm. Push the sleeve towards the mandrel, see fig.9.

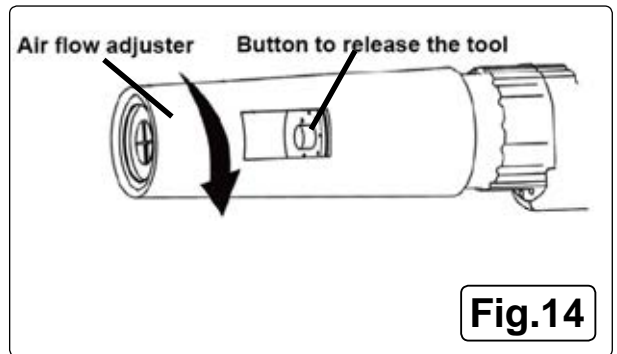
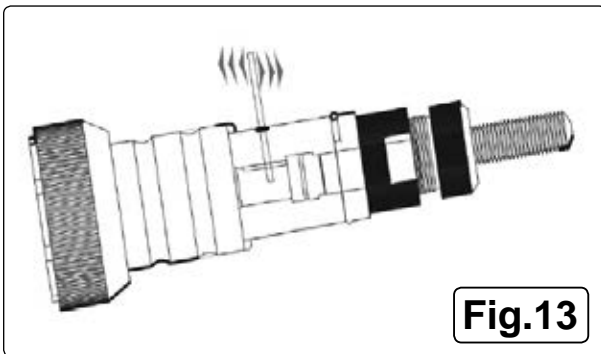


5.3.2. Adjust the tool stroke by turning the knurled wheel as shown in figs. 10 & 11. The scale along the window are the settings for stroke. Push the sleeve back to its original position after setting.



5.3.3. To establish a precise stroke setting, it is recommended to set a trial rivet nut. Refer to fig.12 and repeat the operations until the stroke has been correctly set.

5.3.4. In the case of the stroke being too long, it could be that the rivet nut can not be released from the mandrel after setting. To release the tool from a damaged rivet nut use a piece of 3mm steel wire or equivalent, inserted into the hole on the nose pedestal. Turn it clockwise to release the rivet nut, fig.13.

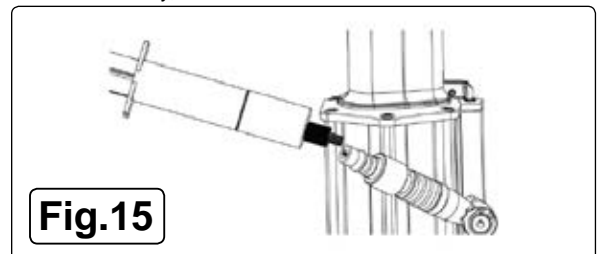


6. OPERATION

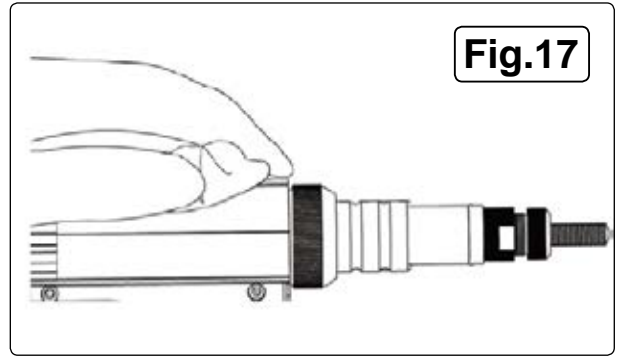
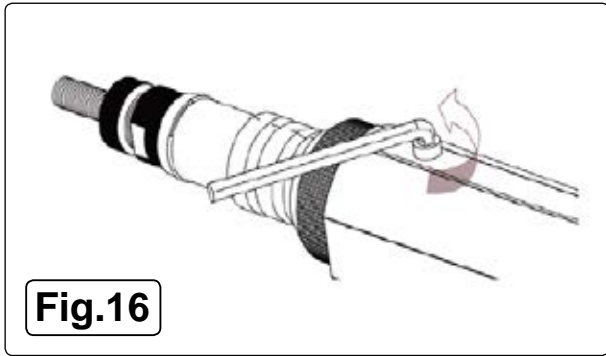
- 6.1. After preparation and stroke setting (see section 5), put the rivet nut into the pre-drilled work piece hole.
- 6.2. Insert the mandrel into the rivet nut, push the tool and the mandrel will be automatically turned into the rivet nut.
- 6.3. Pull the trigger to set the rivet into the work piece.
- 6.4. After setting the rivet nut, release the trigger and the mandrel will turn anticlockwise and the tool will be released from the set rivet nut.
- 6.5. In case the tool is still not released from the set rivet nut, press the red button at the back of the compressed spring pedestal, then the tool will be released.
- 6.6. **Optional use of air flow adjuster fig.14**
- 6.6.1. The air flow adjuster changes the direction of the air flow released from the tool during operation and does not affect performance.
- 6.6.2. It can be directed to operator's preference.
- 6.6.3. The red button can still be reached through the window to release the tool when necessary, see 6.5.

7. MAINTENANCE

- 7.1. After several weeks of working add a few drops of oil into the inlet on the inlet of the air adaptor, fig.15.
- 7.2. **Hydraulic oil top up/replacement**
- 7.2.1. If after a period of use the tool's stroke is reduced, the tool's hydraulic oil may need to be refilled or replaced.

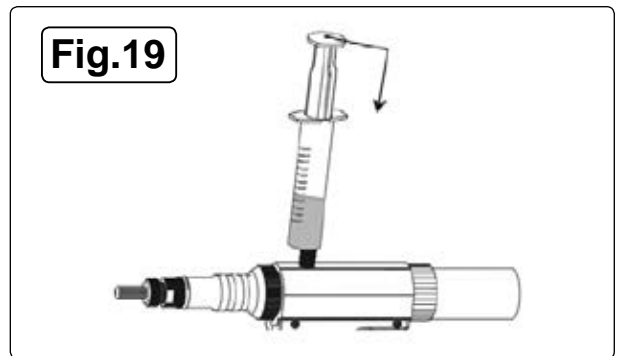
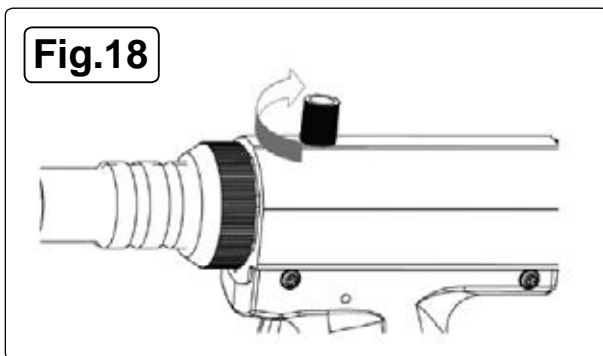


7.2.2. Remove the hex headed screw, see fig.16.



7.2.3. Connect to the air supply and cover the hole with some cloth. Pull the trigger and the oil will leak out of the hole, see fig.17.

7.2.4. Screw the oil syringe adaptor into the refill hole and inject the new oil slowly, into the hole until it is full. Remove the syringe adaptor clean the excess oil and replace the hex headed screw, see figs.18 & 19.



7.2.5. Next test the tool's stroke. If the stroke is still not correct there could still be some air in the oil cylinder from when the tool was refilled.

7.2.6. To expel the air: pull the trigger 6 or 7 times, loosen the screw, let the extra air leak out then tighten the screw.

Environmental Protection



Recycle unwanted materials instead of disposing of them as waste. All tools, accessories and packaging should be sorted, taken to a recycling centre and disposed of in a manner which is compatible with the environment. When the product becomes completely unserviceable and requires disposal, drain off any fluids (if applicable) into approved containers and dispose of the product and the fluids according to local regulations.

NOTE: It is our policy to continually improve products and as such we reserve the right to alter data, specifications and component parts without prior notice.

IMPORTANT: No liability is accepted for incorrect use of this product.

WARRANTY: Guarantee is 12 months from purchase date, proof of which will be required for any claim.



Sole UK Distributor, Sealey Group.
Kempson Way, Suffolk Business Park,
Bury St. Edmunds, Suffolk.
IP32 7AR



01284 757500



01284 703534



www.sealey.co.uk



sales@sealey.co.uk

WARNING! – Risk of Hand Arm Vibration Injury.

This tool may cause Hand Arm Vibration Syndrome if its use is not managed adequately.

This tool is subject to the vibration testing section of the Machinery Directive 2006/42/EC.

This tool is to be operated in accordance with these instructions.

Measured vibration emission value (a):1.2 m/s²

Uncertainty value (k):0.61 m/s²

Please note that the application of the tool to a sole specialist task may produce a different average vibration emission. We recommend that a specific evaluation of the vibration emission is conducted prior to commencing with a specialist task.

A health and safety assessment by the user (or employer) will need to be carried out to determine the suitable duration of use for each tool.

NB: Stated Vibration Emission values are type-test values and are intended to be typical.

Whilst in use, the actual value will vary considerably from and depend on many factors.

Such factors include; the operator, the task and the inserted tool or consumable.

NB: ensure that the length of leader hoses is sufficient to allow unrestricted use, as this also helps to reduce vibration.

The state of maintenance of the tool itself is also an important factor, a poorly maintained tool will also increase the risk of Hand Arm Vibration Syndrome.

Health surveillance.

We recommend a programme of health surveillance to detect early symptoms of vibration injury so that management procedures can be modified accordingly.

Personal protective equipment.

We are not aware of any personal protective equipment (PPE) that provides protection against vibration injury that may result from the uncontrolled use of this tool. We recommend a sufficient supply of clothing (including gloves) to enable the operator to remain warm and dry and maintain good blood circulation in fingers etc. Please note that the most effective protection is prevention, please refer to the Correct Use and Maintenance section in these instructions. Guidance relating to the management of hand arm vibration can be found on the HSC website www.hse.gov.uk - Hand-Arm Vibration at Work.