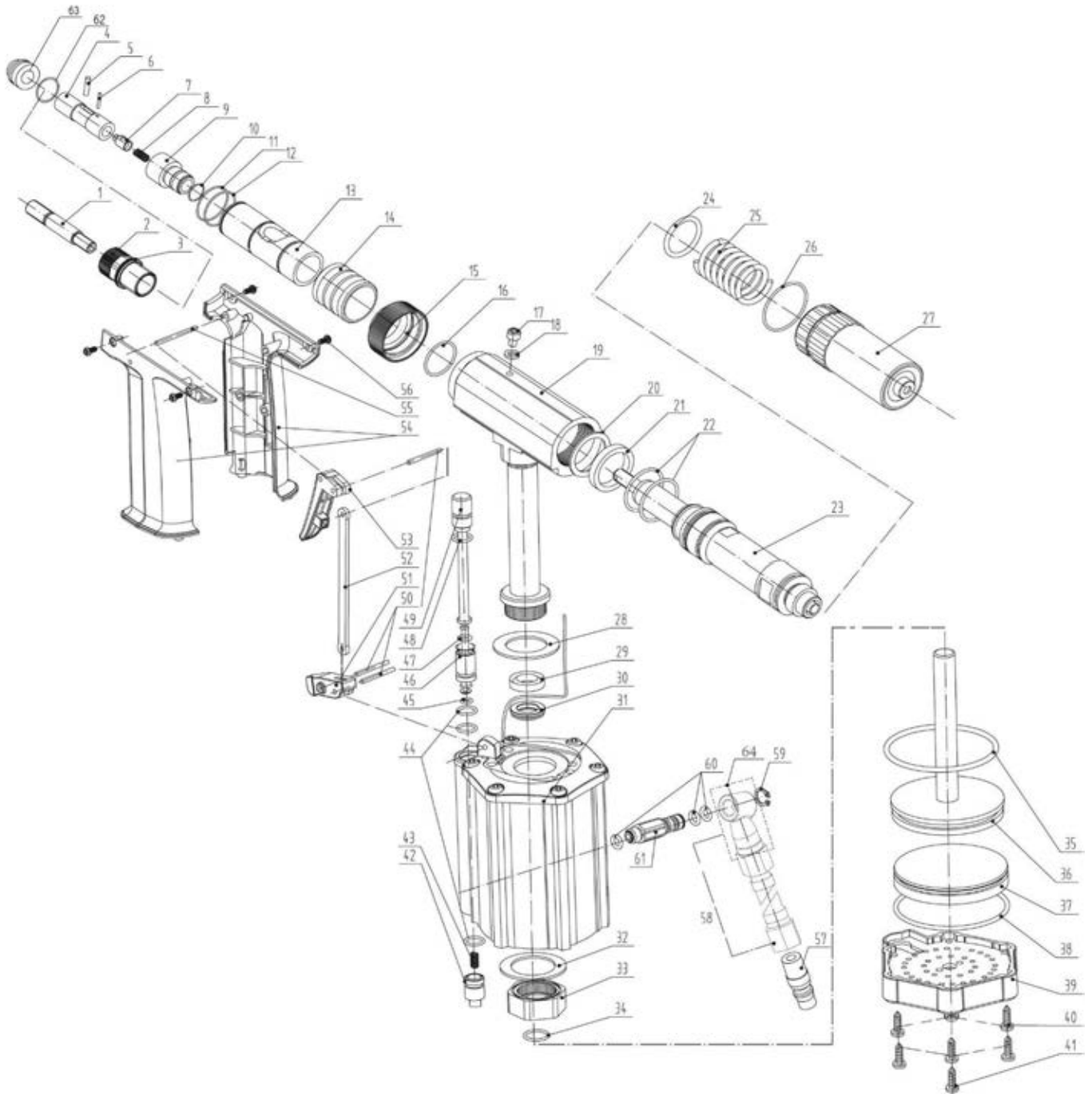




Parts Information:
**Air/Hydraulic Nut Riveter Heavy-Duty
Vacuum System
Model No: SA317**



NOTE: It is our policy to continually improve products and as such we reserve the right to alter data, specifications and component parts without prior notice.

IMPORTANT: No liability is accepted for incorrect use of product.

WARRANTY: Guarantee is 12 months from purchase date, proof of which will be required for any claim.

Sealey Group, Kempson Way, Suffolk Business Park, Bury St Edmunds, Suffolk. IP32 7AR



01284 757500



01284 703534



sales@sealey.co.uk



www.sealey.co.uk



Parts Information:
**Air/Hydraulic Nut Riveter Heavy-Duty
 Vacuum System
 Model No: SA317**

1	SA317.01	MANDREL M12
--	SA317.01A	MANDREL M3 (NOT SHOWN)
--	SA317.01B	MANDREL M4 (NOT SHOWN)
--	SA317.01C	MANDREL M5 (NOT SHOWN)
--	SA317.01D	MANDREL M6 (NOT SHOWN)
--	SA317.01E	MANDREL M8 (NOT SHOWN)
--	SA317.01F	MANDREL M10 (NOT SHOWN)
2	SA317.02	ANVIL M12
--	SA317.02A	ANVIL M3 (NOT SHOWN)
--	SA317.02B	ANVIL M4 (NOT SHOWN)
--	SA317.02C	ANVIL M5 (NOT SHOWN)
--	SA317.02D	ANVIL M6 (NOT SHOWN)
--	SA317.02E	ANVIL M8 (NOT SHOWN)
--	SA317.02F	ANVIL M10 (NOT SHOWN)
3	SA317.03	LOCKNUT
4	SA317.04	CONNECTING SLEEVE
5	SA317.05	PIN
6	SA317.06	PIN
7	SA317.07	ADAPTOR SLEEVE
8	SA317.08	SPRING
9	SA317.09	ADJUSTING SLEEVE
10	SA317.10	O-RING
11	SA317.11	CIRCLIP
12	SA317.12	O-RING
13	SA317.13	NOSE HOUSING
14	SA317.14	SLEEVE
15	SA317.15	KNURLED RING COVER
16	SA317.16	CIRCLIP
17	BHSS58.SB	BUTTON HEAD SOCKET SCREW M5x8 BLACK
18	SA317.18	WASHER
19	SA317.19	OIL CYLINDER BODY
20	SA317.20	PISTON SHAFT WASHER
21	SA317.21	U-RING
22	SA317.22	O-RING
23	SA317.23	AIR MOTOR ASS'Y
24	SA317.24	O-RING
25	SA317.25	RETURN SPRING
26	SA317.26	O-RING
27	SA317.27	COMPRESSED SPRING PEDESTAL
28	SA317.28	OIL CYLINDER WASHER
29	SA317.29	U-RING

Item	Part No.	Description
30	SA317.30	PISTON SHAFT WASHER
31	SA317.31	AIR CYLINDER ASS'Y
32	SA317.32	OIL CYLINDER GASKET
33	SA317.33	CYLINDER LOCKNUT
34	SA317.34	O-RING
35	SA317.35	O-RING
36	SA317.36	PISTON ASS'Y
37	SA317.37	PISTON PEDESTAL
38	SA317.38	O-RING
39	SA317.39	AIR CYLINDER PEDESTAL
40	SA317.40	SCREW
41	SA317.41	SCREW
42	SA317.42	SWITCH LOWER BASE
43	SA317.43	SPRING
44	SA317.44	O-RING
45	SA317.45	O-RING
46	SA317.46	SWITCH UPPER BASE
47	SA317.47	O-RING
48	SA317.48	O-RING
49	SA317.49	TRIGGER SHAFT ASS'Y
50	SA317.50	PIN
51	SA317.51	LEVER
52	SA317.52	CONNECTING ROD
53	SA317.53	TRIGGER (SHORT)
54	SA317.54	GRIP ASS'Y
55	SA317.55	PIN
56	SA317.56	SCREW
57	SA317.57	AIR ADAPTOR
58	SA317.58	ASSEMBLY AIR ADAPTOR WITH HOSE W/O SWITCH
59	SA317.59	CIRCLIP
60	SA317.60	O-RING
61	SA317.61	AIR ADAPTOR JOINT
62	SA317.62	O-RING
63	SA317.63	SLIDING SLEEVE
64	SA317.64	SWIVEL JOINT
65	SA317.65	OIL SYRINGE
66	SA317.66	SPANNER
67	SA317.67	SPANNER

NOTE: It is our policy to continually improve products and as such we reserve the right to alter data, specifications and component parts without prior notice.

IMPORTANT: No liability is accepted for incorrect use of product.

WARRANTY: Guarantee is 12 months from purchase date, proof of which will be required for any claim.

Sealey Group, Kempson Way, Suffolk Business Park, Bury St Edmunds, Suffolk. IP32 7AR



01284 757500



01284 703534



sales@sealey.co.uk



www.sealey.co.uk