



INSTRUCTIONS FOR:  
**TROLLEY FOR FSC09 & FSC10**  
 MODEL NO: **FSC11T**

Thank you for purchasing a Sealey product. Manufactured to a high standard, this product will, if used according to these instructions and maintained properly, give you years of trouble free performance.

**IMPORTANT:** PLEASE READ THESE INSTRUCTIONS CAREFULLY. NOTE THE SAFE OPERATIONAL REQUIREMENTS, WARNINGS & CAUTIONS. USE THE PRODUCT CORRECTLY AND WITH CARE FOR THE PURPOSE FOR WHICH IT IS INTENDED. FAILURE TO DO SO MAY CAUSE DAMAGE AND/OR PERSONAL INJURY AND WILL INVALIDATE THE WARRANTY. KEEP THESE INSTRUCTIONS SAFE FOR FUTURE USE.



Refer to Instruction  
Manual

**1. SAFETY**

- WARNING:** Ensure that Health & safety, local authority and general workshop practice regulations are adhered to when using this trolley.
- WARNING:** use the trolley on level and solid ground; preferably concrete.
- ✓ Locate the trolley in a suitable working area.
- ✓ Keep the work area clean, uncluttered and ensure that there is adequate lighting.
- ✓ Keep the trolley clean in accordance with good workshop practice.
- ✓ Keep children and unauthorised persons away from the work area.
- x **DO NOT** use this trolley for any other purpose than that for which it is designed.
- x **DO NOT** use the trolley outdoors.
- x **DO NOT** place the trolley in a damp or wet location or an area where there is condensation.

**2. INTRODUCTION**

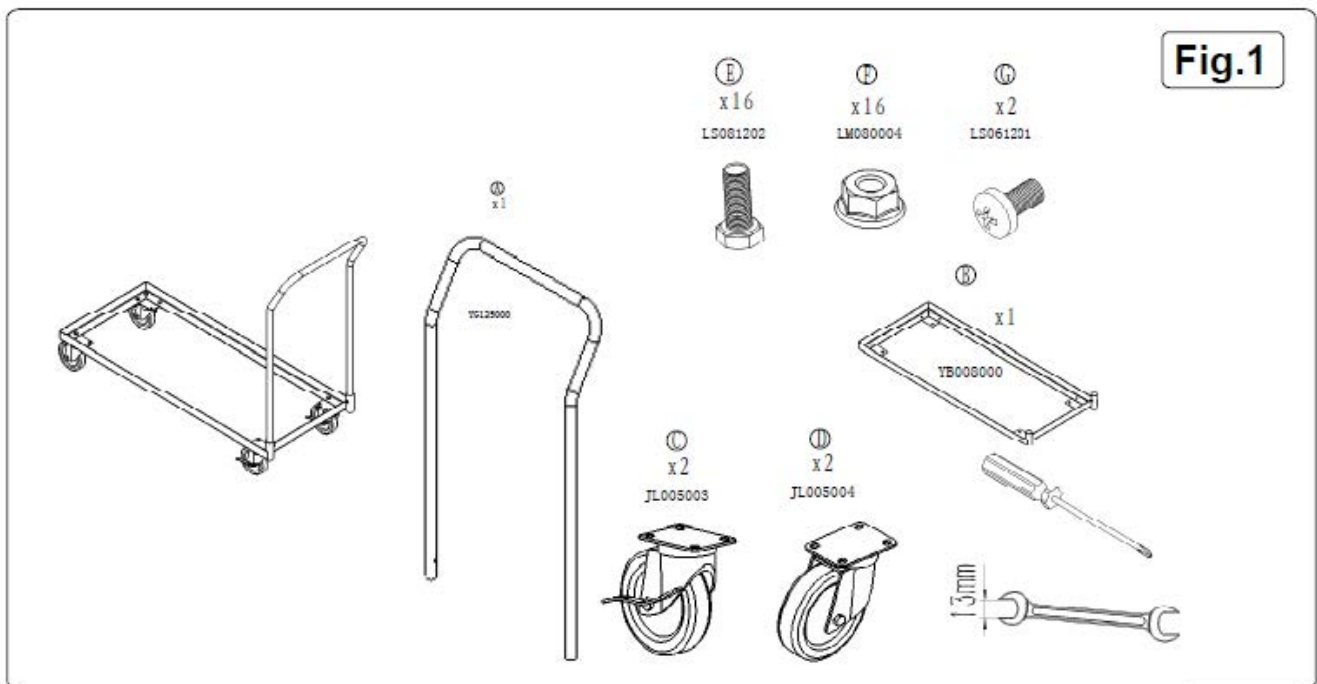
Optional trolley for use with Model No's FSC09 & FSC10. Trolley allows cabinets to be moved around the workplace with ease, allowing for items to be on hand as and when required. Features two lockable castor wheels.

**3. SPECIFICATION**

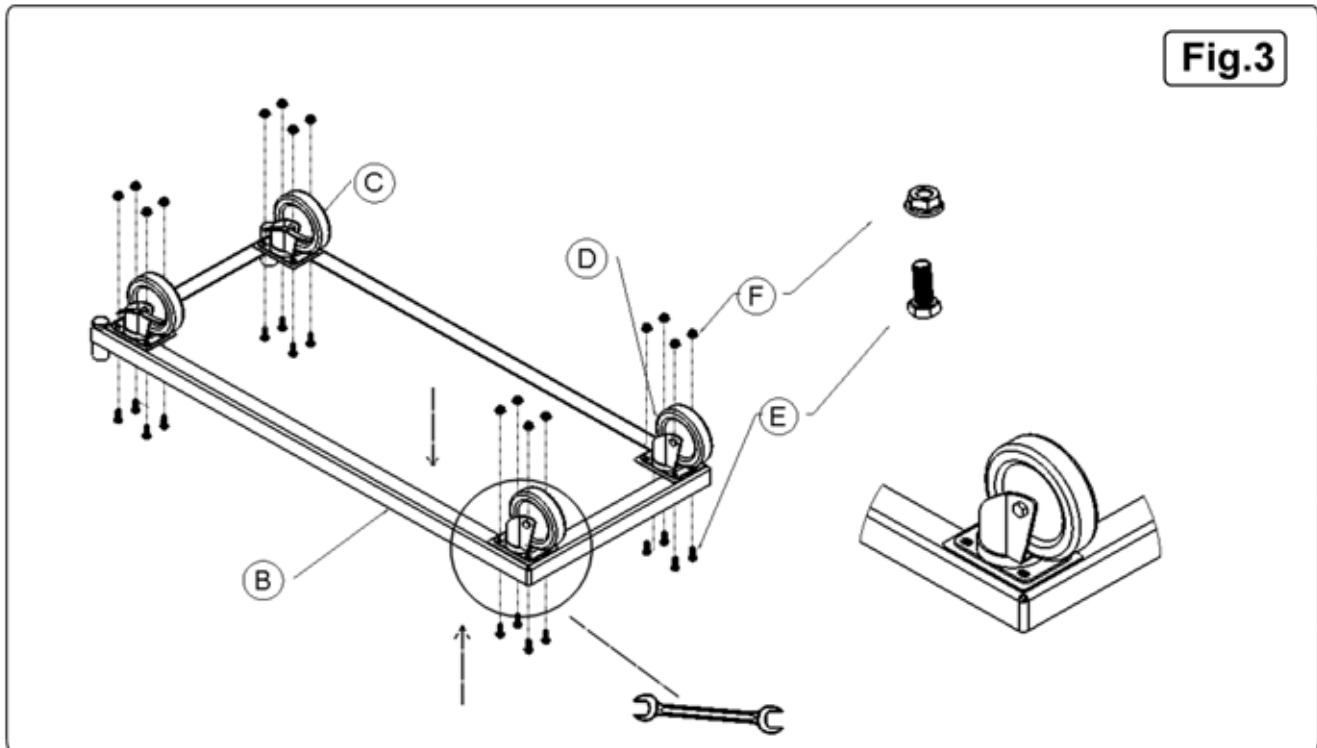
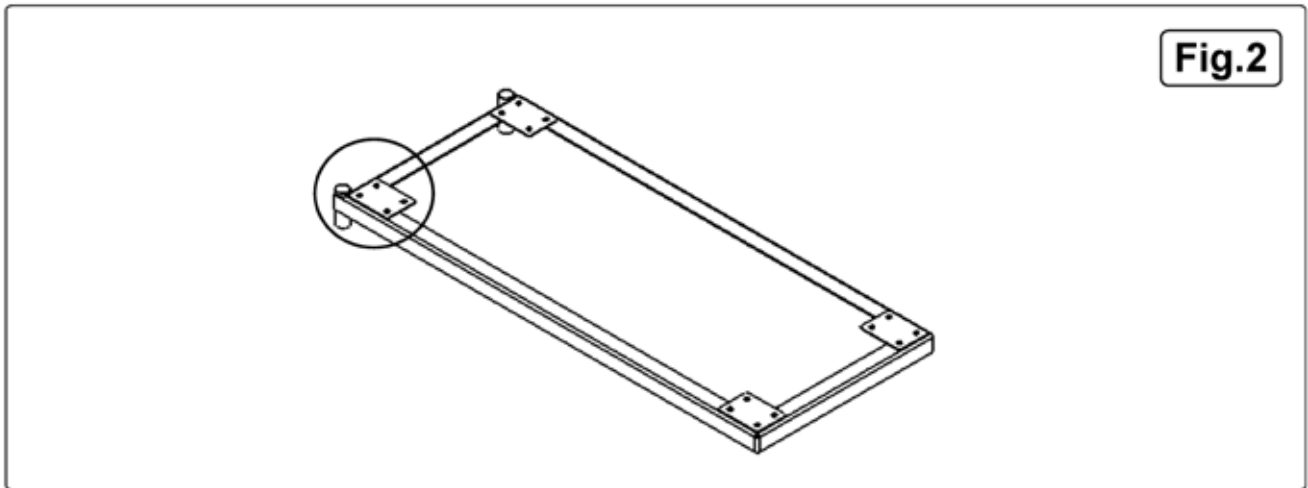
Model No: ..... **FSC11T**  
 Size (W x D x H): ..... 1270 x 470 x 1045mm

**4. ASSEMBLY**

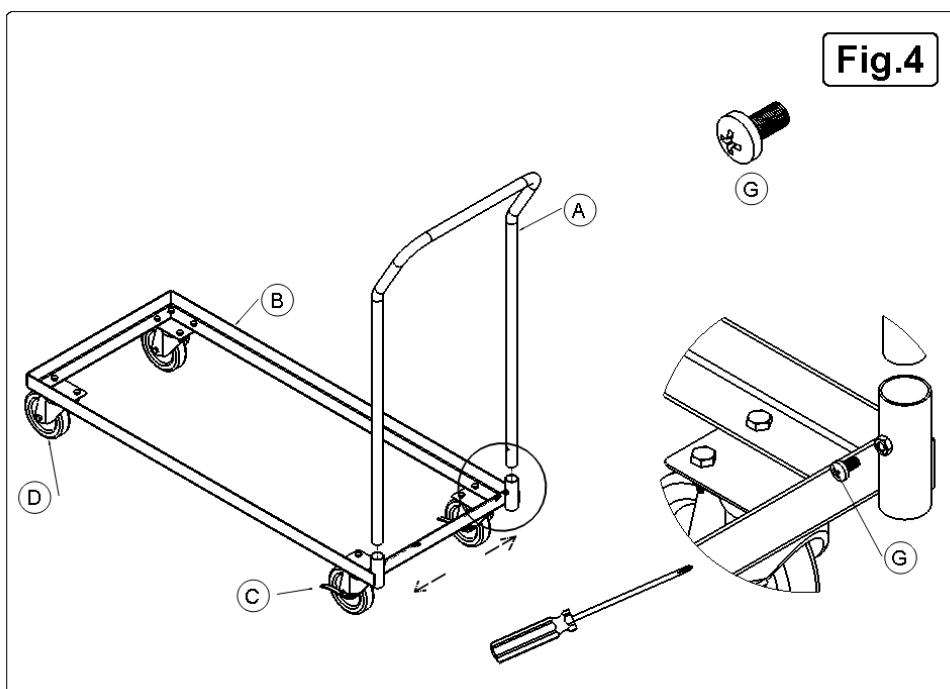
**4.1. PREPARATION**



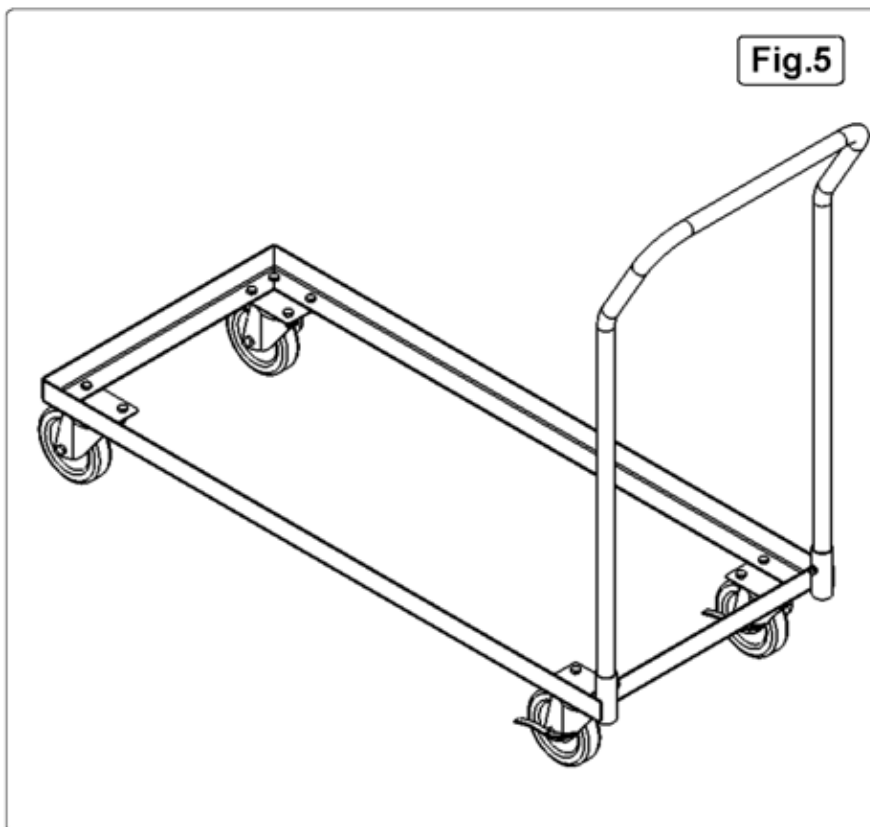
#### 4.1. FIXING CASTORS



#### 4.2. FIXING HANDLE



#### 4.3. ASSEMBLY



Parts support is available for this product. To obtain a parts listing and/or diagram, please log on to [www.sealey.co.uk](http://www.sealey.co.uk), email [sales@sealey.co.uk](mailto:sales@sealey.co.uk) or telephone 01284 757500.

#### Environmental Protection



Recycle unwanted materials instead of disposing of them as waste. All tools, accessories and packaging should be sorted, taken to a recycling centre and disposed of in a manner which is compatible with the environment. When the product becomes completely unserviceable and requires disposal, dispose of it according to local regulations.

**NOTE:** It is our policy to improve products continually and as such we reserve the right to alter data, specifications and component parts without prior notice.

**IMPORTANT:** No liability is accepted for incorrect use of this product.

**WARRANTY:** Guarantee is 12 months from purchase date, proof of which will be required for any claim.



**Sole UK Distributor, Sealey Group,**  
Kempson Way, Suffolk Business Park,  
Bury St. Edmunds, Suffolk,  
IP32 7AR



01284 757500



01284 703534



[www.sealey.co.uk](http://www.sealey.co.uk)



[sales@sealey.co.uk](mailto:sales@sealey.co.uk)