



HEAVY DUTY MOBILE TOOL & PARTS TROLLEY WITH 4 DRAWERS & LOCKABLE TOP - BLACK

MODEL NO: **AP850MB**

Thank you for purchasing a Sealey product. Manufactured to a high standard, this product will, if used according to these instructions, and properly maintained, give you years of trouble free performance.

IMPORTANT: PLEASE READ THESE INSTRUCTIONS CAREFULLY. NOTE THE SAFE OPERATIONAL REQUIREMENTS, WARNINGS & CAUTIONS. USE THE PRODUCT CORRECTLY AND WITH CARE FOR THE PURPOSE FOR WHICH IT IS INTENDED. FAILURE TO DO SO MAY CAUSE DAMAGE AND/OR PERSONAL INJURY AND WILL INVALIDATE THE WARRANTY. KEEP THESE INSTRUCTIONS SAFE FOR FUTURE USE.



Refer to instructions



Wear protective gloves

1. SAFETY

- WARNING!** Ensure Health & Safety, local authority, and general workshop practice regulations are adhered to when using this trolley.
 - ✓ Always load evenly with the centre of gravity of the load as near centre of the trolley as possible.
 - ✓ Keep the work area clean, uncluttered and ensure there is adequate lighting.
 - ✓ Keep the trolley clean and tidy in accordance with good workshop practice.
 - ✓ Use the wheel locks to prevent the trolley from inadvertently moving.
 - ✓ Keep children and unauthorised persons away from the work area.
 - ✓ Open one drawer at a time - unit may become unstable if multiple loaded drawers are open.
 - ✓ Store out of reach of children and untrained people.
 - ✓ Maintain a safe working environment. Make sure there is adequate surrounding workspace.
 - * **DO NOT** overload the trolley. Max Capacity 260kg. Overloading can damage the drawers and/or castors and could result in tipping and personal injury. Beware of dynamic loading. Dropping or bouncing a load may briefly create excess load causing damage, personal injury and/or death.
 - * **DO NOT** use the trolley for any purpose other than that for which it is designed.
 - * **DO NOT** stand on the trolley, use it as a ladder or allow others to ride on the trolley.
 - * **DO NOT** leave unattended, especially when loaded, unless the wheels are locked, chocked or the trolley otherwise secured. Keep the lid and drawers closed and locked when not in use.
 - * **DO NOT** use trolley on uneven ground not capable of withstanding its weight. **DO NOT** run over curbs or steps - use a ramp.
 - * **DO NOT** use trolley if any part is significantly damaged, paying particular attention to the wheels.
 - * **DO NOT** wear loose clothing and contain long hair.
 - * **DO NOT** use in a wet or damp location.
- Note! The assembly will require assistance.**

2. INTRODUCTION

Garage and workshop trolley with an overall capacity of 260kg. Lined upper shelf features a perforated hand tool storage section on each side, further hand tool storage slots are situated externally on both sides of the trolley. Lined lower shelf is ideal for larger parts or tool storage. Four drawers with non-slip liners and ball bearing slides feature a rear locking mechanism which engages once the lockable top lid is closed, adding extra security. Fitted with a side handle and four swivel castors, two with brakes, to aid manoeuvrability.

3. SPECIFICATION

Model No:.....**AP850MB**
Total Load Capacity: 260kg
Specification (W x D x H):
 Overall Size:855 x 450 x 950mm
 Lower Tray:760 x 405 x 80mm
 Upper Tray:685 x 405 x 105mm
 Small Split Drawer (x2):315 x 355 x 50mm
 Medium Drawer (x1):.....660 x 355 x 80mm
 Large Drawer (x1):660 x 355 x 100mm
 Nett Weight: 37.4kg

4. CONTENTS

Part	Description	Qty.	Part	Description	Qty.
1	Right leg post	2	8	Coach bolts M8 x 16	2
2	Coach bolts M8 x 12	34	9	Support frame	2
3	(intentionally omitted)		10	Locking caster	2
4	Nut	52	11	Bottom tray	1
5	Upper tray/drawer unit	1	12	Swivel caster	2
6	Left leg post	2	13	Bolts M8 x 12	16
7	Push handle	1	14	Cap	2

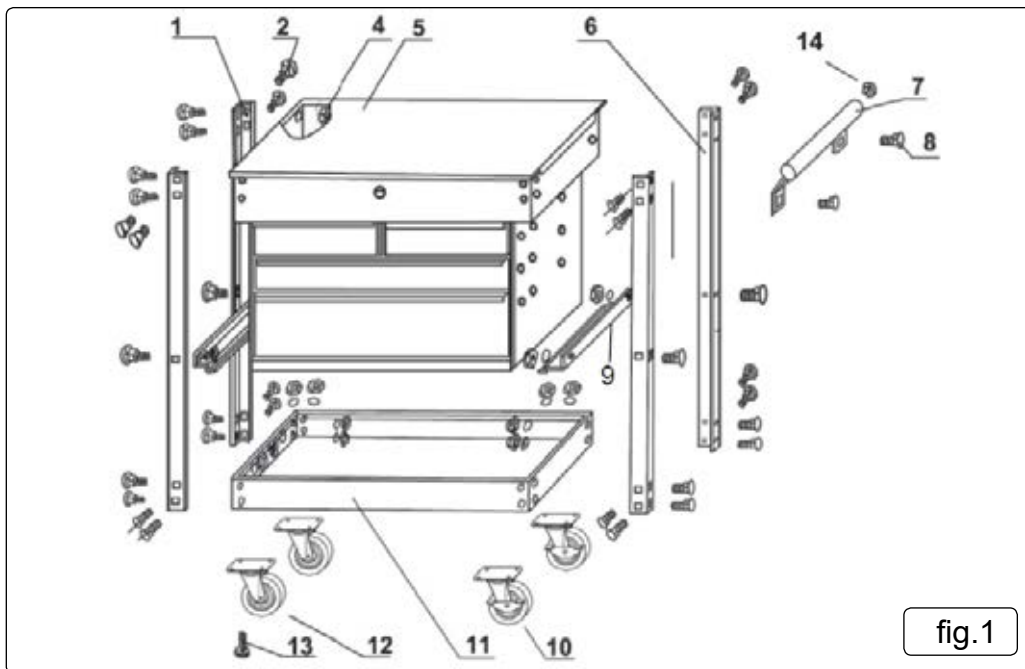


fig.1

5. ASSEMBLY

Refer to contents diagram (fig.1).

- 5.1. Attach two Locking Casters (10) and two Swivel Casters (12) to the Bottom Tray (11). Use four Bolts (13) and four Nuts (4) per caster.
- 5.2. Connect both Right Leg Posts (1) to each other with one Support Frame (9) attached at the centre with two Coach Bolts (2), two Nuts (4). Repeat same assembly for both Left Leg Posts (6).
- 5.3. Attach the Bottom Tray (11) to both Left Leg Posts (6) using eight Coach Bolts (2) and eight Nuts (4).
- 5.4. Attach the bottom of the Right Leg Posts (1) to the Bottom Tray (11) using eight Coach Bolts (2) and eight Nuts (4).
- 5.5. Attach both Right Leg Posts (1) to the Upper Tray/Drawer Unit (5) using eight Coach Bolts (2) and eight Nuts (4).
- 5.6. Attach both Left Leg Posts (6) to the Upper Tray/Drawer Unit (5) using six Coach Bolts (2) and six Nuts (4).
- 5.7. Attach the Push Handle (7) to the two Left Leg Posts (6) and the Upper Tray/Drawer Unit (5) using two Coach Bolts (8), and two Nuts.
- 5.8. Tighten all fixings.

6. OPERATION

- 6.1. Set the Trolley up in the desired location.
- 6.2. Make certain to set both Locking Casters (10) once the Trolley is in place. To set the brake, pull up on the tab located on each Locking Caster (10).
- 6.3. Fill each of the drawers and trays as desired. **DO NOT** exceed the maximum weight capacity of 260kg for the Trolley and the maximum weight capacity for each drawer and tray as follows: Top Tray: 90kg, 2 Small Drawers: 13kg each, Medium Drawer: 22kg Bottom Drawer: 31kg and Bottom Tray: 90kg.

7. MAINTENANCE

- 7.1. Clean the Trolley with a damp cloth. **DO NOT** use abrasives, harsh chemicals or detergents as these will scratch and damage the surface.
- 7.2. Before each use inspect the general condition of the Trolley. Check for loose screws, misalignment or binding of moving parts, cracked or broken parts and any other condition that may affect its safe operation. **DO NOT** use damaged equipment.



ENVIRONMENT PROTECTION

Recycle unwanted materials instead of disposing of them as waste. All tools, accessories and packaging should be sorted, taken to a recycling centre and disposed of in a manner which is compatible with the environment. When the product becomes completely unserviceable and requires disposal, drain any fluids (if applicable) into approved containers and dispose of the product and fluids according to local regulations.

Note: It is our policy to continually improve products and as such we reserve the right to alter data, specifications and component parts without prior notice.

Important: No Liability is accepted for incorrect use of this product.

Warranty: Guarantee is 12 months from purchase date, proof of which is required for any claim.

Sealey Group, Kempson Way, Suffolk Business Park, Bury St Edmunds, Suffolk. IP32 7AR



01284 757500



01284 703534



sales@sealey.co.uk



www.sealey.co.uk